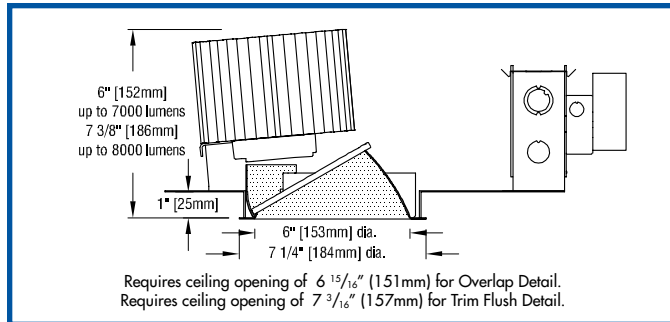


LED FTF WL/6

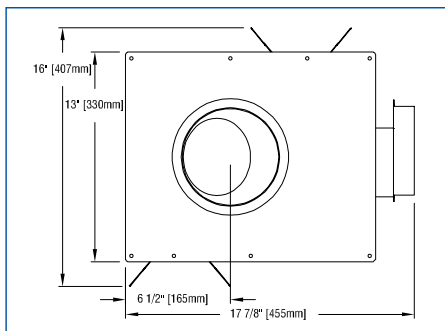
recessed lensed LED wallwasher

COMPETITIVELY PRICED - EPL QUALITY - COMPETITIVELY PRICED - EPL QUALITY - COMPETITIVELY PRICED - EPL QUALITY



FEATURES

- **LED FTF WL/6 is a 6" aperture LED lensed wallwasher.** Luminaire is powered by an integral Philips Fortimo DLM Flex LED module. See tables below for wattages and efficacies. Luminaire may be ordered with one of a number of drivers.
- **Precise reflector design provides uniform illumination** on vertical surfaces up to the ceiling line and minimizes aperture brightness. The optical assembly consists of two internal reflectors and a 40° x 70° glass spread lens.
- **External reflectors are available in clear natural aluminum finishes** – semi-specular Alzak (C) or slightly diffuse (V) – as well as champagne gold and black. Other reflector finishes are available on special order.
- **Housing is constructed from 14-gauge and 16-gauge electro-zinc steel** in Edison Price Lighting's American factory. Heavy-gauge metals and American manufacturing guarantee long-lasting durability.
- **Luminaire includes a pair of mounting bars** (3/4" x 27" C channel). Specialty bars for wood joist and T-bar installations are also available.
- **For more information, [click here](#).**



APPLICATIONS

Fixture is listed for Damp Location. Fixture is prewired with thermal protector and approved for ten #12 wire 90° branch circuit pull-through wiring. If specified with a "DMV-AD" driver fixture qualifies for the safety program prescribed by UL991 and CSA22.2, and does not require a thermal protector. Removal of the reflector allows access to the junction box.



MODIFICATIONS AVAILABLE

Contact factory with quantity for pricing; orders may require shop drawing approval.

- **+DOD:** luminaire suitable for **high humidity** environments; add +DOD to Product Code.
- **+MAR:** reflector suitable for **marine** environments; add +MAR to Product Code.

SPACING REQUIREMENT

The L30H, L30S, L40S, L70S and L80S models of this luminaire must be spaced 36" apart and 18" from walls and must have 1/2" clearance above housing.

PRODUCT CODE

For complete product code, list basic unit and select one item from each following box.

| | |
|--|-------------|
| Basic Unit | LED-FTF-6WL |
| Driver | |
| dimmmable to 1% by a 0-10V dimmer on 120 or 277-volt service | - DMV-AD |
| dimmmable to 1% SoftOn/FadeToBlack by a Lutron EcoSystem control, on 120-volt or 277-volt service; not available throughout; see Output box..... | - ECO-LU |
| dimmmable to 1% by a 2-wire Lutron compatible dimmer, on 120-volt service only; not available throughout; see Output box below | - DMH-LU |
| eldoled 0-10V (Logarithmic) driver dimmmable to 0.1% with a 0-10V dimmer on 120 or 277-volt service..... | - DVOELG |
| eldoled 0-10V (Linear) driver dimmmable to 0.1% with a 0-10V dimmer on 120 or 277-volt service..... | - DVOELN |
| eldoled drivers dimmmable to 0.1% by a DALI control system | - DAO-EL |
| Moons' driver dimmmable to 0.1% by DMX controllers; not available throughout; see Output box below | - DX0-MN |
| dimmmable to 0.1% by a Zigbee wireless network (Daintree, Encelium or Wink); wireless range 50' through standard walls; not available throughout; see Output box below | - ZG0MAG |

Light Source Output

| | |
|----------------------------|--|
| 1100 lumens / CRI 90 | - L11H |
| 1500 lumens | - L15H |
| 2000 lumens | - L20H |
| 3000 lumens | see Spacing Requirement..... |
| 1100 lumens / CRI 80 | - L11S |
| 1500 lumens | - L15S |
| 2000 lumens | - L20S |
| 3000 lumens | see Spacing Requirement..... |
| 4000 lumens | see Spacing Requirement..... |
| 5000 lumens | not available with ECO-LU or DMH-LU |
| 6000 lumens | not available with ECO-LU, DMH-LU, DX0-MN, ZG0-MAG... - L60S |
| 7000 lumens | see Spacing Requirement..... |
| | not available with ECO-LU, DMH-LU, DX0-MN, ZG0-MAG... - L70S |
| 8000 lumens | see Spacing Requirement..... |
| | not available with ECO-LU, DMH-LU, DX0-MN, ZG0-MAG... - L80S |

Light Engine Color

| | |
|---|-------|
| 2700K: available for L11H, L15H, L20H & L30H only | - 27K |
| 3000K: available for L11H, L15H, L20H, L30H, L40S, L50S, L60S, L70S & L80S only | - 30K |
| 3500K: available for L11H, L15H, L20H, L30H, L40S, L50S, L60S, L70S & L80S only | - 35K |
| 4000K: available for L11S, L15S, L20S, L30S, L40S, L50S, L60S, L70S & L80S only | - 40K |
| 5000K: available for L40S, L50S, L60S, L70S & L80S only | - 50K |

Voltage

| | |
|------------------------|-------|
| 120 volt service | - 120 |
| 277 volt service..... | - 277 |

Reflector Color and Detail

| | Overlap Flange | Trim Flush* |
|------------------------------|----------------|-------------|
| Semi-specular Clear | COL | CTF |
| Slightly diffuse Clear | VOL | VTF |
| Champagne Gold | GOL | GTF |
| White | WOL | WTF |

Other reflector finishes available on special order. Overlap Flange continues reflector finish. White painted flanges and custom painted flanges are available on special order. Add WF (white flange) or CCF (custom color flange).

*Trim Flush reflector trim requires the use of a plaster ring Accessory (see below).

▶ Reflectors detailed for metal or wood ceilings available on special order.

OPTIONS

Specify by adding to the basic unit.

| | |
|---|------|
| Remote emergency battery pack including two components – battery pack and plate with test switch and light – to be mounted adjacent to luminaire; for use in accessible ceilings | - RX |
|---|------|

ACCESSORIES

Specify as a separate line item.

| | |
|--|-----------|
| Plaster ring allows use of 6 7/8" OD Trim Flush (-TF) reflector in sheetrock ceiling; 7 3/16" dia hole required | TF RING/6 |
|--|-----------|

PHOTOMETRIC REPORT (tested per IESNA LM-79-2008)

Report No. UT19060008-02. Original Leading Testing Laboratories, Inc. (LTI) test reports furnished upon request.

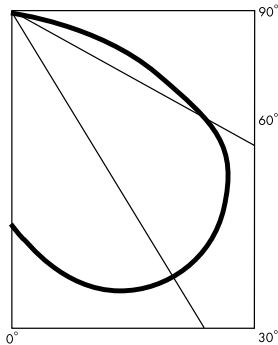
Luminaire recessed LED round lensed wallwasher with aluminum reflector and 40° x 70° lens
 Lamp Philips LED Fortimo DLM 8000 lumens, 80 CRI, 3000K CCT
 Lamp Life rated 50,000 hours based on L70/B50 criteria. LM80 report by LED manufacturer furnished upon request

WALLWASH INFORMATION

(Based on 2000 lumens, 80 CRI, 3000K LED)

| Distance From Ceiling (Feet) | 3" From Wall; 3" O.C. | | 3' 6" From Wall; 3' 6" O.C. | |
|------------------------------|-----------------------|------------------|-----------------------------|------------------|
| | Below Fixture | Between Fixtures | Below Fixture | Between Fixtures |
| 1 | 29 | 24 | 17 | 14 |
| 2 | 53 | 51 | 37 | 34 |
| 3 | 50 | 49 | 39 | 38 |
| 4 | 39 | 39 | 34 | 33 |
| 5 | 29 | 29 | 27 | 26 |
| 6 | 22 | 22 | 21 | 21 |
| 7 | 16 | 16 | 16 | 16 |
| 8 | 12 | 12 | 13 | 12 |
| 9 | 10 | 9 | 10 | 10 |
| 10 | 7 | 7 | 8 | 8 |
| 11 | 6 | 6 | 6 | 6 |
| 12 | 5 | 5 | 5 | 5 |

This table lists initial illuminance values at the center of a row of at least 5 fixtures with no contribution from ceiling or floor reflectance.



COLOR TEMPERATURE MULTIPLIER

| | |
|-------|------|
| 2700K | 0.96 |
| 3000K | 1 |
| 3500K | 1.03 |
| 4000K | 1.05 |
| 5000K | 1.06 |

WALLWASH INFORMATION

(Based on 8000 lumens, 80 CRI, 3000K LED)

| Distance From Ceiling (Feet) | 6' From Wall; 6' O.C. | | 7' From Wall; 7' O.C. | |
|------------------------------|-----------------------|------------------|-----------------------|------------------|
| | Below Fixture | Between Fixtures | Below Fixture | Between Fixtures |
| 1 | 11 | 9 | 6 | 5 |
| 2 | 27 | 23 | 16 | 13 |
| 3 | 42 | 38 | 27 | 23 |
| 4 | 50 | 48 | 34 | 32 |
| 5 | 49 | 49 | 37 | 36 |
| 6 | 46 | 45 | 36 | 36 |
| 7 | 41 | 41 | 34 | 33 |
| 8 | 36 | 36 | 31 | 30 |
| 9 | 31 | 31 | 28 | 27 |
| 10 | 27 | 27 | 25 | 24 |
| 11 | 23 | 23 | 22 | 21 |
| 12 | 20 | 20 | 19 | 19 |
| 13 | 18 | 17 | 17 | 17 |
| 14 | 15 | 15 | 15 | 15 |
| 15 | 13 | 13 | 13 | 13 |
| 16 | 12 | 11 | 12 | 11 |
| 17 | 10 | 10 | 10 | 10 |
| 18 | 9 | 9 | 9 | 9 |
| 19 | 8 | 8 | 8 | 8 |
| 20 | 7 | 7 | 7 | 7 |

This table lists initial illuminance values at the center of a row of at least 5 fixtures with no contribution from ceiling or floor reflectance.

REFLECTOR COLOR MULTIPLIERS

| | |
|-------------------------|-----|
| Semi-specular Clear (C) | 1 |
| EvenTone (V) | .95 |
| Champagne Gold (G) | .95 |
| Black (B) | .49 |

LUMINAIRE LIGHT OUTPUT AND EFFICACY (Based 8000 lumens 80 CRI 3000K LED)

| LED Module Type | Luminaire Light Output | Luminaire Efficacy (lms/watt) | System Wattage | EM Light Output (90-minute run) |
|-----------------|------------------------|-------------------------------|----------------|---------------------------------|
| L11H/11S | 848* | 65*/71* | 13/12 | 339* |
| L15H/15S | 1130* | 66*/75* | 17/15 | 339* |
| L20H/20S | 1526* | 64*/73* | 24/21 | 339* |
| L30H/30S | 2317* | 66*/68* | 35/34 | 339* |
| L40S | 2996* | 81* | 37 | 396* |
| L50S | 3674* * | 77* | 48 | 791* |
| L60S | 4352* | 75* | 58 | 791* |
| L70S | 5030* | 70* | 72 | 791* |
| L80S | 5652 | 69 | 82 | 791* |

*estimated values

LIGHT OUTPUT MULTIPLIERS

(Based 8000 lumens 80 CRI 3000K LED)

| LED Light Engine | Light Output Multiplier | EM Light Output Multiplier (90-minute run) |
|------------------|-------------------------|--|
| L11H/11S | 0.15* | 0.06* |
| L15H/15S | 0.20* | 0.06* |
| L20H/20S | 0.27* | 0.06* |
| L30H/30S | 0.41* | 0.06* |
| L40S | 0.53* | 0.07* |
| L50S | 0.65* | 0.14* |
| L60S | 0.77* | 0.14* |
| L70S | 0.89* | 0.14* |
| L80S | 1 | 0.14 |

*estimated values

DRIVER INFORMATION UL Class 2, dry and damp location

| | | |
|--|---|---|
| Voltage | 120 | 277 |
| Input Watts (L11H/L11S/L15H/L15S/L20H/L20S/L30H/L30S/L40S/L50S/L60S/L70S/L80S LED) | 13/12/17/15/24/21/35/34/37/48/58/72/82 | 13/12/17/15/24/21/35/34/37/48/58/72/82 |
| Input Current (A) (L11H/L11S/L15H/L15S/L20H/L20S/L30H/L30S/L40S/L50S/L60S/L70S/L80S LED) | .11/10/14/13/20/18/29/28/31/40/48/60/68 | .05/04/06/05/09/08/13/12/13/17/21/26/30 |
| Min. Power Factor | >0.95 | >0.95 |
| Operating Temperature Range (F) | -4 to 122 | -4 to 122 |