



SALIOT MS-V5 is high lumen, high CRI, Mesh-networked, remote controlled LED track luminaire.

PRODUCT CODE

M	S	-	V	5	4	9	5	D	M	W	B
Series Code				Color Temperature		Color Rendering Index		Track Adapter		Luminaire Color	

FEATURES

- ◆ SALIOT MS-V5 delivers light output ranging from 2746 lumens to 3401 lumens, at 95 CRI.
- ◆ SALIOT is wirelessly controlled from up to 32ft away via a Bluetooth-enabled smart device.
- ◆ The SALIOT app controls the luminaire’s motors and LED module to adjust the following features:
 - ◆ 9° - 34° beam spread (zoom : Manually Adjustable Only)
 - ◆ 0° - 360° for pan
 - ◆ 0° - 90° for tilt
 - ◆ On/off switching
 - ◆ Dimming from 100% to 1%
- ◆ As many as 100 SALIOT MS-V5 devices may be grouped and settings can be saved as scenes.
- ◆ SALIOT MS-V5 DM series luminaires are manufactured for Outlet Box Mount system.*
- ◆ Electrical rating is 120Vac60Hz only.

•Luminaire is UL certified for use on horizontally-mounted 120V only. Not suitable for use on vertically-mounted track. Not suitable for use on electrical circuits including dimming controls of any kind.

Basic Unit	MS-V5
-------------------	-------

LED Details (CRI/CCT/Luminaire Output at 34° beam spread)	
2700K / 95 CRI / 3023 lumens	595
3000K / 95 CRI / 3149 lumens	495
3500K / 95 CRI / 3275 lumens	395
4000K / 95 CRI / 3338 lumens	295
5000K / 95 CRI / 3401 lumens	195

Track Adapter	
Outlet Box Mount system	DM

Luminaire Color	
White	WW
Black	BB

Dimming notes:

- ◆ Luminaire is suitable for use only on an electrical circuit which does not include a dimming device of any kind.
- ◆ Luminaire may be dimmed only by Bluetooth via a smart device with the SALIOT iOS or Android app.

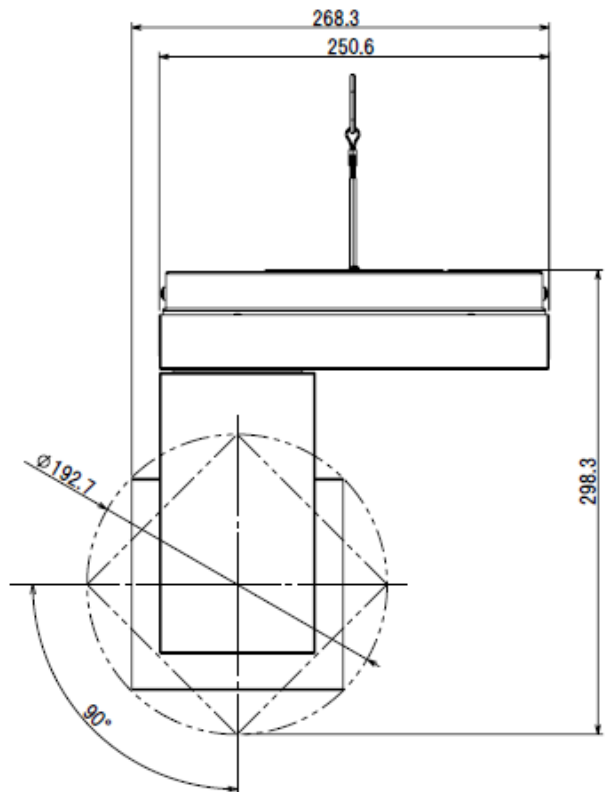
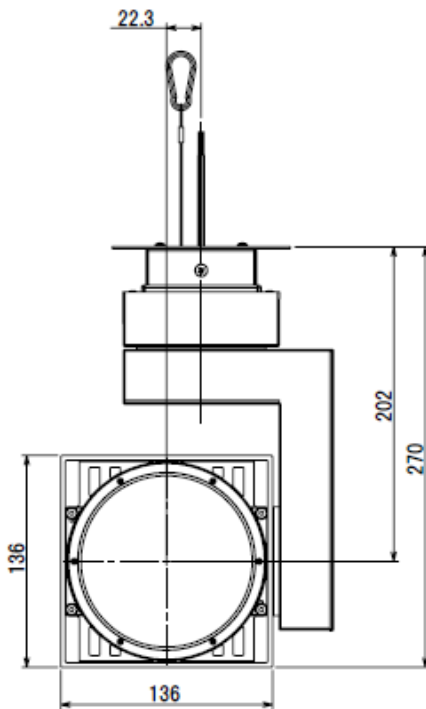
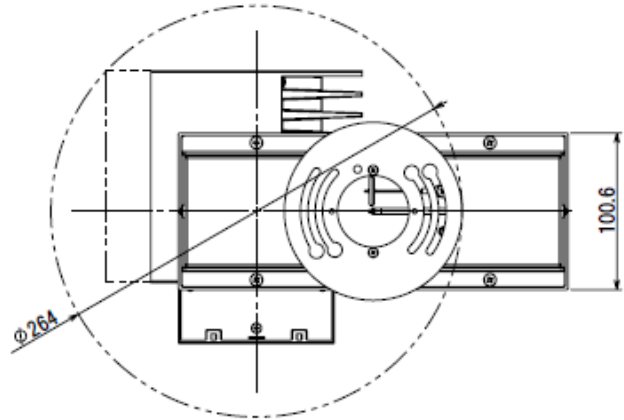
Warranty details:

- ◆ Fixture covered by MinebeaMitsumi warranty: 3 years on moving parts and 5 years on non-moving parts.



CLEARANCE

Outlet Box Mount system





PHOTOMETRIC REPORT (Luminaire Color White / 9° Beam Angle)(tested per IESNA LM-79-2008)

Verification Services Report No. 11946825.01

Luminaire.....mesh network enabled LED track luminaire
 LED95 CRI module, 3000K
 LED LifeRated 40,000 hours based on L70/B50 criteria. LM80 report by LED manufacturer furnished upon request

CANDLEPOWER DISTRIBUTION (candela)

Vertical Angle	Candela at 0° Horizontal Angle
0.0	22870
10.0	1763
20.0	947
30.0	762
40.0	638
50.0	484
60.0	294
70.0	161
80.0	37
90.0	0.0

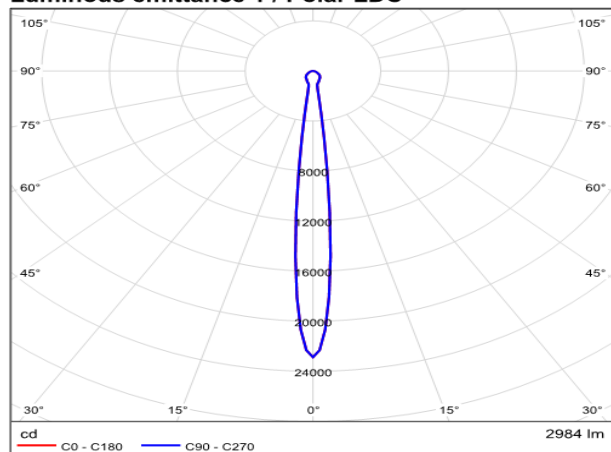
LUMINAIRE LIGHT OUTPUT AND EFFICACY

LED Module Type	Luminaire Light Output	Luminaire CBCP	Luminaire Efficiency	System Wattage
95 CRI/2700K	2866	21958	48	60
95 CRI/3000K	2985	22873	50	60
95 CRI/3500K	3104	23788	52	60
95 CRI/4000K	3164	24245	53	60
95 CRI/5000K	3224	24703	54	60

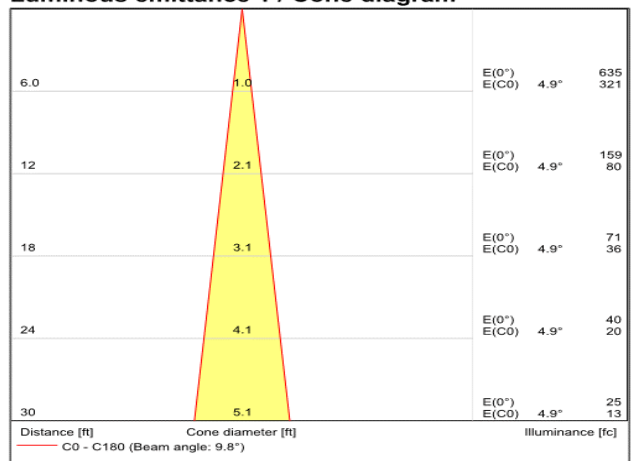
LIGHT OUTPUT MULTIPLIERS (based on 95CRI/3000K LED)

LED @95 CRI	5000K	4000K	3500K	3000K	2700K
Multiplier	1.08	1.06	1.04	1.00	0.96

Luminous emittance 1 / Polar LDC



Luminous emittance 1 / Cone diagram





PHOTOMETRIC REPORT (Luminaire Color White / 34° Beam Angle)(tested per IESNA LM-79-2008)

Verification Services Report No. 11946825.03

Luminaire.....mesh network enabled LED track luminaire

LED95 CRI module, 3000K

LED LifeRated 40,000 hours based on L70/B50 criteria. LM80 report by LED manufacturer furnished upon request

CANDLEPOWER DISTRIBUTION (candela)

Vertical Angle	Candela at 0° Horizontal Angle
0.0	7714
10.0	6265
20.0	1962
30.0	577
40.0	448
50.0	265
60.0	130
70.0	54
80.0	18
90.0	0.0

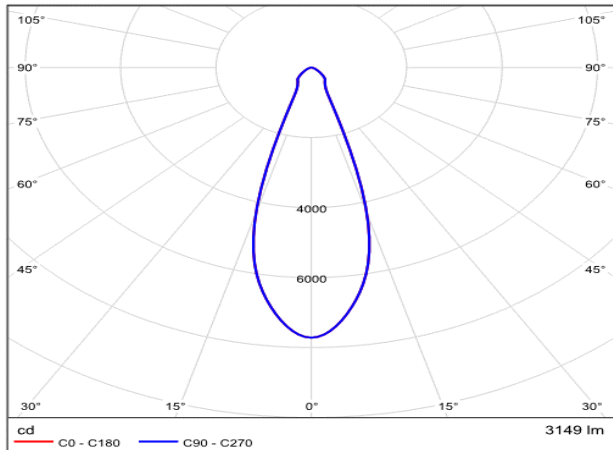
LUMINAIRE LIGHT OUTPUT AND EFFICACY

LED Module Type	Luminaire Light Output	Luminaire CBCP	Luminaire Efficiency	System Wattage
95 CRI/2700K	3023	7405	50	60
95 CRI/3000K	3149	7714	52	60
95 CRI/3500K	3275	8023	55	60
95 CRI/4000K	3338	8177	56	60
95 CRI/5000K	3401	8331	57	60

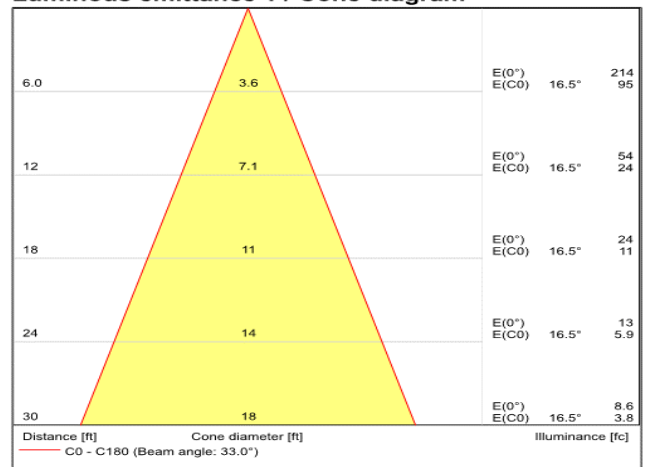
LIGHT OUTPUT MULTIPLIERS (based on 95CRI/3000K LED)

LED @95 CRI	5000K	4000K	3500K	3000K	2700K
Multiplier	1.08	1.06	1.04	1.00	0.96

Luminous emittance 1 / Polar LDC



Luminous emittance 1 / Cone diagram





PHOTOMETRIC REPORT (Luminaire Color Black / 9° Beam Angle) (Tested per JIS C 8105-55.6 / JIS C 8105-58)

Otsuka Electronics : Certification No. TC50-0145

Luminaire.....mesh network enabled LED track luminaire

LED95 CRI module, 3000K

LED LifeRated 40,000 hours based on L70/B50 criteria. LM80 report by LED manufacturer furnished upon request

CANDLEPOWER DISTRIBUTION (candela)

Vertical Angle	Candela at 0° Horizontal Angle
0.0	24700
10.0	1834
20.0	889
30.0	727
40.0	600
50.0	438
60.0	261
70.0	138
80.0	22
90.0	1.0

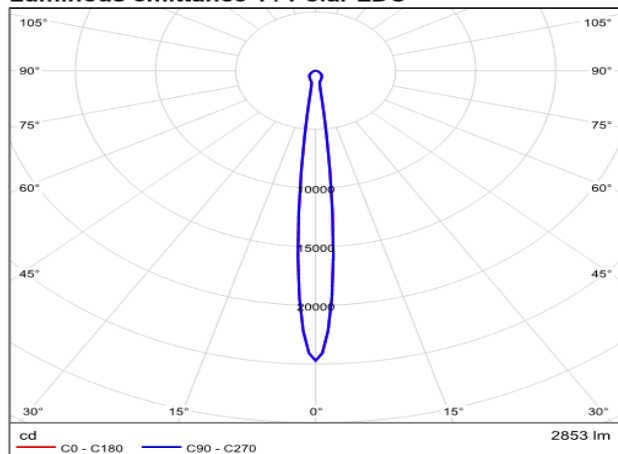
LUMINAIRE LIGHT OUTPUT AND EFFICACY

LED Module Type	Luminaire Light Output	Luminaire CBCP	Luminaire Efficiency	System Wattage
95 CRI/2700K	2746	23712	46	60
95 CRI/3000K	2860	24700	48	60
95 CRI/3500K	2974	25688	50	60
95 CRI/4000K	3032	26182	51	60
95 CRI/5000K	3089	26676	51	60

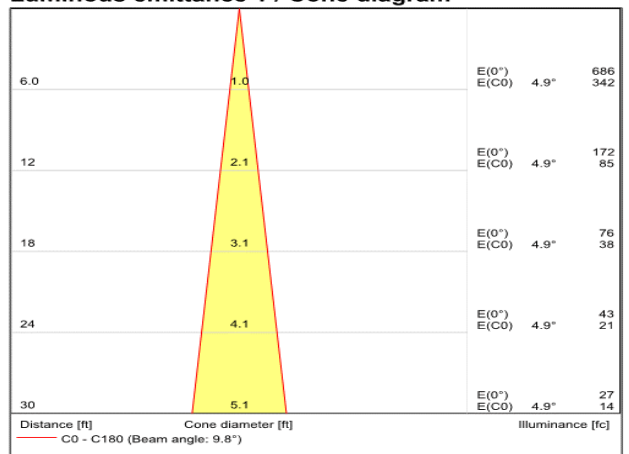
LIGHT OUTPUT MULTIPLIERS (based on 95CRI / 3000K LED)

LED @95 CRI	5000K	4000K	3500K	3000K	2700K
Multiplier	1.08	1.06	1.04	1.00	0.96

Luminous emittance 1 / Polar LDC



Luminous emittance 1 / Cone diagram





PHOTOMETRIC REPORT (Luminaire Color Black / 34° Beam Angle) (Tested per JIS C 8105-55.6 / JIS C 8105-58)

Otsuka Electronics : Certification No. TC50-0140

Luminaire.....mesh network enabled LED track luminaire

LED95 CRI module, 3000K

LED LifeRated 40,000 hours based on L70/B50 criteria. LM80 report by LED manufacturer furnished upon request

CANDLEPOWER DISTRIBUTION (candela)

Vertical Angle	Candela at 0° Horizontal Angle
0.0	7500
10.0	6255
20.0	2101
30.0	505
40.0	348
50.0	193
60.0	74
70.0	14
80.0	1.0
90.0	1.0

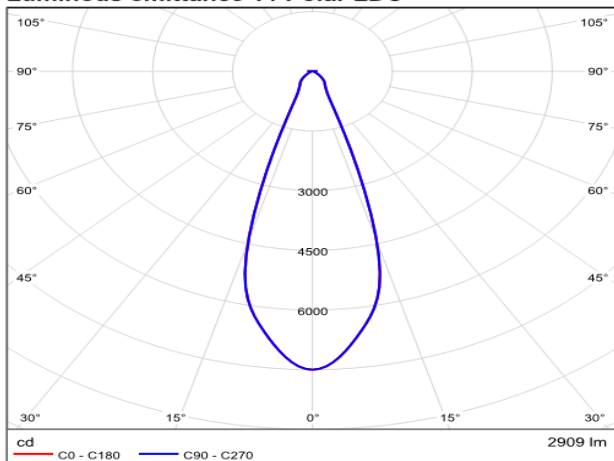
LUMINAIRE LIGHT OUTPUT AND EFFICACY

LED Module Type	Luminaire Light Output	Luminaire CBCP	Luminaire Efficiency	System Wattage
95 CRI/2700K	2803	7200	47	60
95 CRI/3000K	2920	7500	49	60
95 CRI/3500K	3037	7800	51	60
95 CRI/4000K	3095	7950	52	60
95 CRI/5000K	3154	8100	53	60

LIGHT OUTPUT MULTIPLIERS (based on 95CRI / 3000K LED)

LED @95 CRI	5000K	4000K	3500K	3000K	2700K
Multiplier	1.08	1.06	1.04	1.00	0.96

Luminous emittance 1 / Polar LDC



Luminous emittance 1 / Cone diagram

