

Project

Type



MADE IN USA

[Click Here](#)

Date

Product Code

Designer

MAGIC WAND® CLT W-OBM

surface mounted LED wallwasher



- **Optical assembly consists of an aluminum reflector and a 40° x 70° spread lens.**
- **Concealed swivels** provide 350° of horizontal rotation and vertical adjustment from 0° to 90°. The swivels are permanently tensioned, allowing the fixture to remain fixed at any aiming angle.
- **For more information, [click here](#).**

Magic Wand CLT W-OBM is a wallwasher designed for mounting on a 4" octagonal outlet box (by others). Fixture is powered by one of a number of Cree chip-on-board LED's. See tables below for wattages and efficacies.

PRODUCT CODE

For complete product code, list basic unit and select one item from each following box.

Basic UnitMW-CLT-OB-W

Driver (DMP): Fixture includes a driver which is

- dimmable to 10% with a an incandescent or electronic low voltage (ELV) dimming on a 120-volt circuit – and –
- not dimmable at all on a 277-volt circuit.

For a model that dims wirelessly, see [Magic Wand CLT W-OBM Bluetooth](#)

Light Source Output (Lumens)

800L / CRI 98 not available for 277v ... 5000K not available.....	- L08A
1200L 5000K not available	- L12A
1100L / CRI 80+	... not available for 277v	- L11S
1500L	- L15S

Light Color

2700K	- 27K
3000K	- 30K
3500K	- 35K
4000K	- 40K
5000K not available with all Light Outputs (see above).....	- 50K

Finish

white: white paint, white lead cord, matte aluminum heat sink- WH
black: black paint, black lead cord, black heat sink - BL
Industrial Silver: silver paint, black lead cord, black heat sink - SI
custom color: include physical chip with order and select one from below

- white lead cord, matte aluminum heat sink- CCW
- black lead cord, black heat sink - CCB
- any other combination requires a special order



41-50 22ND STREET, LIC NY 11101

718.685.0700

www.epl.com

©Copyright, Edison Price Lighting 2020

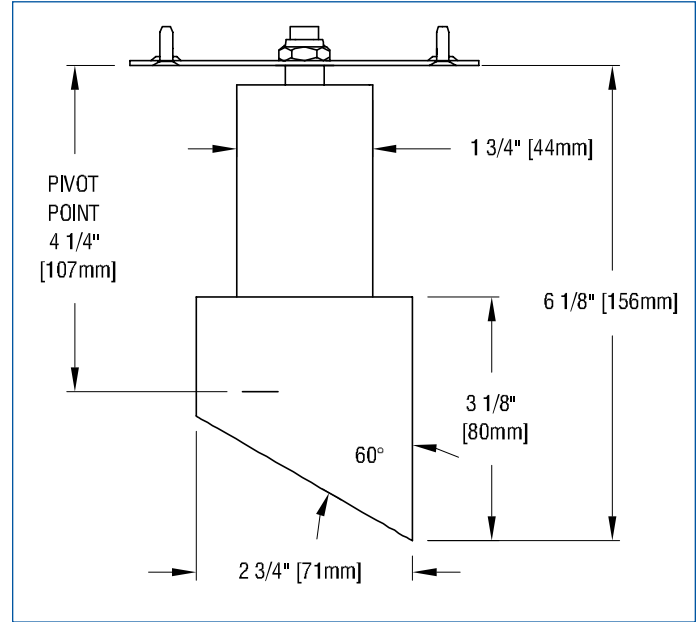
Artima is a registered trademark of Edison Price Lighting.

LED 0-197 1:20

APPLICATIONS

Luminaire is suitable for highlighting vertical surfaces in museums, galleries, showrooms, residences, offices and stores.

Luminaire is listed for Damp Location mounting on a standard 4" octagonal outlet box (by others).



PHOTOMETRIC REPORT (tested per IESNA LM-79-2008)

Verification Services Report No. 12556986.07. Original test report furnished upon request.

Luminaire surface-mounted LED wallwasher with internal reflector and lens and a specular kicker reflector.

Lamp CREE LED 1500 lumens, 3000K CCT, 80 CRI.

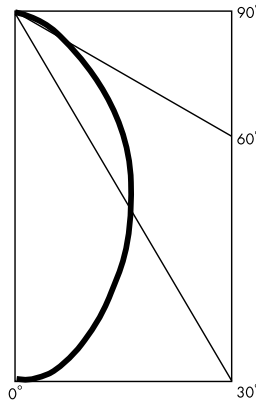
Lamp Life rated 50,000 hours based on L70/B50 criteria. LM80 report by LED manufacturer furnished upon request.

WALLWASH INFORMATION

Distance From Ceiling (Feet)	3' From Wall; 3' O.C. (1500 lumens)		3' 6" From Wall; 3' 6" O.C. (1500 lumens)	
	Below Fixture	Between Fixtures	Below Fixture	Between Fixtures
1	22	20	15	13
2	36	33	25	22
3	36	35	27	26
4	29	29	24	24
5	23	22	20	19
6	17	17	16	15
7	13	13	13	12
8	10	10	10	10
9	8	8	8	8
10	6	6	6	6
11	5	5	5	5
12	4	4	4	4

This table lists initial illuminance values at the center of a row of at least 5 fixtures with no contribution from ceiling or floor reflectance. Fixtures were modeled with maximum candlepower at 20° to 25° above vertical.

CANDLEPOWER DISTRIBUTION



LIGHT OUTPUT MULTIPLIER

(Based on 1500 lumens 80 CRI option)

LED Module Type	Light Output Multiplier
800 Lumens 98 CRI (L08A)	0.52*
1200 Lumens 98 CRI (L12A)	0.76*
1100 Lumens 80 CRI (L11S)	0.69*
1500 Lumens 80 CRI (L15S)	1

*estimated values

STANDARD DRIVER INFORMATION

(UL Class 2, dry and damp location)

Voltage	120	277
Input Watts (L08A/L12A/L11S/L15S)	9/14/9/14	9/14/9/14
Input Current(A) (L08A/L12A/L11S/L15S)	.08/12/08/12	.03/05/03/05
Output Current (mA)	250-350	250-350
Min. Power Factor	0.90	0.90
Operating Temperature Range (F)	-4 to 122	-4 to 122

LUMINAIRE LIGHT OUTPUT AND EFFICACY

LED Module Type	Luminaire Light Output	Luminaire Efficacy (lms/watt)	System Wattage
800 Lumens 98 CRI (L08A)	450*	50*	9
1200 Lumens 98 CRI (L12A)	658*	47*	14
1100 Lumens 80 CRI (L11S)	598*	66*	9
1500 Lumens 80 CRI (L15S)	866	62	14

*estimated values