

Project

Type



Date

Product Code

Designer

MAGIC WAND® MRE O

track mounted MR16 LED accent light



- Fixture may be mounted on and powered by any of eighteen 20-amp 120-volt Edison Price Lighting [track systems](#). Fixture includes an integral electronic transformer.
- The optical assembly consists of a conical specular black [reflector](#) which reduces lamp brightness.
- A flared socket cap prevents any backslash of light onto the ceiling.
- Concealed swivels provide 350° horizontal rotation as well as vertical adjustment from 0° to 90°. Swivels are permanently tensioned, allowing the fixture to remain fixed at any aiming angle.
- If used with one of the five lamps above which draw 7.5 watts or less, fixture accepts one of a number of [Optical Accessories](#) including spread lenses, a beam smoother and color filters.
- If used with a SORAA 10° lamp, SORAA Snap System accessories may be applied to lamp.
- Magic Wand fixtures have seamless aluminum housings for lightweight durability. Because their track adapters are entirely concealed within the track, Magic Wand fixtures have an exceptionally clean appearance. Standard finish is matte white with a white socket lead; also available in black and Industrial Silver matte paint finishes.
- For more information, [click here](#).

Magic Wand MRE O is an accent light designed for use with 12-volt, GU5.3 base, MR16-shaped retrofit LED lamps (supplied by others) including:

- Philips 6.6 watt 6.6MR16/LED
7.0 watt 7MR16/LED
- Philips 6.5 watt WarmGlow
6.5MR16, dim-to-warm
- Soraa 7.5 watt Brilliant or Vivid LED
- Additional lamps may be suitable. Contact factory with inquiries.

PRODUCT CODE

Complete Product Code..... MW-MRE-O
standard finish: matte white with white socket lead

OPTIONS

Specify by adding to the product code.

black socket lead

with standard matte white housing – BSLV

equipped for outlet box mounting with a 4 1/2" (114mm) dia matte white box cover; mounts directly to a standard 4" (102mm) octagonal outlet box – OBM

matte black housing finish

black socket lead standard – BLK

Industrial Silver housing finish

black socket lead standard – SIL

custom color paint housing finish

specify white or black socket lead – WSLV or – BSLV
and identify color in specification CCH

OPTICAL ACCESSORIES

Specify as separate line items.

All are 2 3/8" (60mm) dia. Lenses and filters are glass; screens are aluminum.

diffuse glass not for use with Soraa 9.0 watt lamps DGS/2.375

prismatic lens (Solite) not for use with Soraa 9.0 watt lamps PLS/2.375

55° spread lens not for use with Soraa 9.0 watt lamps LENS/2.375

40°x70° spread lens not for use with Soraa 9.0 watt lamps .. LENS/2.375-4070

beam smoother not for use with Soraa 9.0 watt lamps CLR/2.375

color filters

Daylight Blue not for use with Soraa 9.0 watt lamps DAY/2.375

Surprise Pink not for use with Soraa 9.0 watt lamps PNK/2.375

amber not for use with Soraa 9.0 watt lamps AMB/2.375

blue not for use with Soraa 9.0 watt lamps BLU/2.375

green not for use with Soraa 9.0 watt lamps GRN/2.375

red not for use with Soraa 9.0 watt lamps RED/2.375

33% light reduction screen .. not for use with Soraa 9.0 watt lamps SCR33/2.375

50% light reduction screen .. not for use with Soraa 9.0 watt lamps SCR50/2.375

For the outlet box mounted version of this fixture, see [Magic Wand MRE O-OBM](#).

► For fixtures configured for 50A track or 60A busway systems, contact factory.



41-50 22ND STREET, LIC NY 11101 TEL 718.685.0700 FAX 718.786.8530 www.epl.com

©Copyright, Edison Price Lighting 2019 TF 11-190 10:18
®Magic Wand, SightLine, DoubleLine, Upline, AutoTrak and AutoBus are registered trademarks of Edison Price Lighting.

MAGIC WAND MRE O

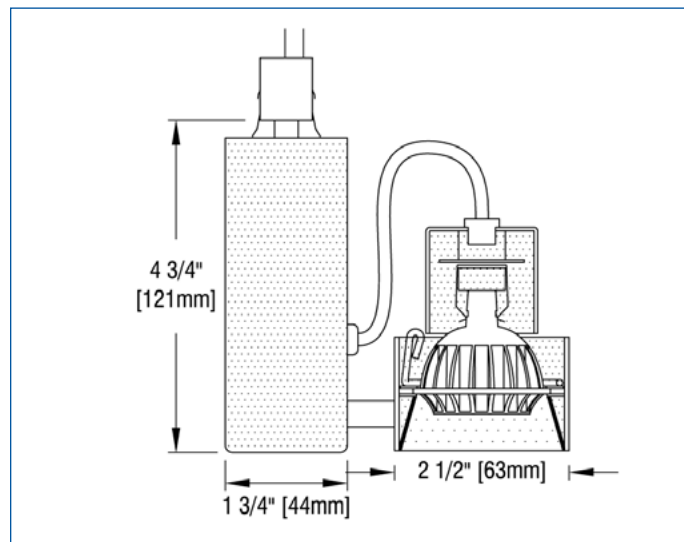
APPLICATIONS

Fixture is suitable for highlighting vertical or horizontal surfaces, as well as objects in museums, galleries, showrooms, residences, restaurants, offices and stores.

Fixture is individually fused and ^{UL} listed for mounting on Edison Price Lighting 120-volt track only.

Lamp (By Others) Dimming Info

Edison Price Lighting does not include lamps and does not sell either lamps or their accessories. For dimming compatibility consult the lamp manufacturer's website.



For current lamp performance data, consult lamp manufacturer's website.