

Project

Type



Date Product Code

Designer

MAXIMA™ CLT VN5P

track mounted LED 5° spotlight



Maxima CLT VN5P with Ring Baffle (OG)

Maxima CLT VN5P with Open Aperture (OH)



aperture view



aperture view

- Luminaire may be configured to mount to any of eighteen 20-amp, 120-volt track systems – or – to any of six 277-volt track systems.
- Fixture appearance and performance can be changed with your choice of Aperture Assembly.
- Aperture Assembly choices
 - Ring Baffle with lens clips (OG) for enhanced glare control; clips accept one or two [Optical Accessories](#) including spread lenses, filters and screens.
 - Open Aperture (OH) for maximum efficacy; concealed lens holder accepts one or two [Optical Accessories](#).
- Fixture is ordered with a single aperture assembly; an additional aperture assembly may be ordered as an accessory.
- A concealed swivel provides 385° horizontal rotation and vertical adjustment from 0° to 90°. The swivel is permanently tensioned, allowing the luminaire to remain fixed at any aiming angle.
- Maxima luminaires have seamless aluminum housings and cast aluminum tops for lightweight durability and heat dissipation.
- For more information, [click here](#).

For the outlet box mounted version of luminaire, see [Maxima CLT VN5P-OBM](#).

Maxima CLT VN5P is a track mounted 5° spotlight powered by Cree chip-on-board LED's providing either a CRI of 98 or a CRI of 80+ both within 2-step MacAdam ellipses, capable of CBCP as high as 116,844. See tables on reverse for wattages and efficacies.

PRODUCT CODE

For complete product code, list basic unit and select one item from each following box.

Basic Unit	MX-CLT-5D
Track Configuration	
120-volt track (e.g. SightLine)	2C
277-volt track (e.g. HighLine)	no switch; not dimmable
Aperture Assembly	
Ring Baffle with Optical Accessory clips	OG
Open Aperture	OH
Finish	
white paint finish	WH
black paint finish	BL
Industrial Silver paint finish	SI
custom color paint finish.. include paint number or physical chip with order ..	CC

Driver	
dimmable to 5% by either an incandescent or electronic low voltage (ELV) dimmer on 120-volt track only	DMP
non-dimmable: the only choice for 277-volt track	UNVAD

Light Source Output (Lumens)	
1200L / CRI 98	2700K or 3000K
1600L / CRI 98	2700K or 3000K
1600L / CRI 80+	all light colors
2100L / CRI 80+	all light colors

Light Color	
2700 K	27K
3000 K	30K
3500 K	not available with all Light Outputs (see above)
4000 K	not available with all Light Outputs (see above)
5000 K	not available with all Light Outputs (see above)

OPTIONS *Specify by adding to the product code.*

a rocker type on/off switch on fixture top, for use on 120-volt track only	SW
white switch for white fixture, black for Silver or black fixture, specify which for custom color fixture	

EXTRA APERTURES *Specify as separate line items.*

Aperture Assembly	
Ring Baffle with Optical Accessory clips	RK-MX-VN5P-OG
Open Aperture	RK-LX-OH

OPTICAL ACCESSORIES ▼ *See next page*



41-50 22ND STREET, LIC NY 11101 TEL 718.685.0700 FAX 718.786.8530 www.epl.com

©Copyright, Edison Price Lighting 2019
Artima is a registered trademark of Edison Price Lighting.

TF 11-152.7 8:19

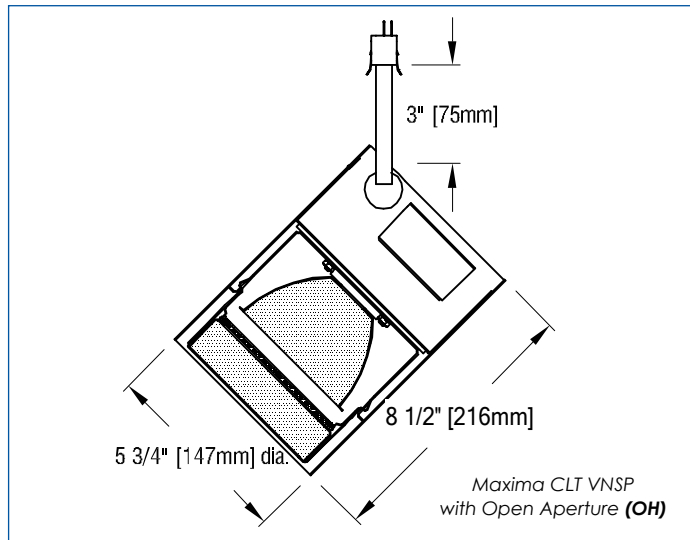
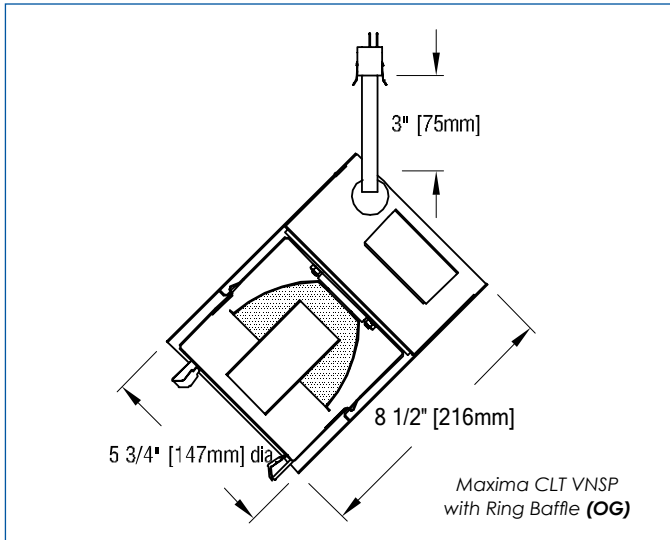
OPTICAL ACCESSORIES

Suitable for use only with 'OG' model luminaire with lens clips.

Specify as separate items.

All are 4 3/4" (121 mm) diameter. Lenses and filters are glass; screens are aluminum.

30° spread lens	LENS/4.75-30
20° x 55° spread lens	LENS/4.75
70° spread lens	LENS/4.75-70
prismatic lens (Solite)	PLS/4.75
40° x 70° spread lens	LENS/4.75-4070
beam smoother	CLR/4.75
color filters	
Daylight Blue	DAY/4.75
Surprise Pink	PNK/4.75
amber	AMB/4.75
blue	BLU/4.75
green	GRN/4.75
red	RED/4.75
33% light reduction screen	SCR33/4.75
50% light reduction screen	SCR50/4.75



APPLICATIONS

Luminaire is suitable for spotlighting objects in museums, galleries, showrooms, residences, offices and stores.

Luminaire is listed for mounting on Edison Price Lighting 120-volt or 277-volt track.

Fixture Spacing Requirements The track adapter of this fixture is 7 1/4" long. For this reason 1) it cannot be track-mounted closer than 7 1/2" on center and 2) it cannot be used with 2 of our 7 Unicep single-fixture track units.

– see below for photometric reports –



PHOTOMETRIC REPORT (tested per IESNA LM-79-2008)

Prorated from Verification Services Report No. 12092412. Original test report furnished upon request.

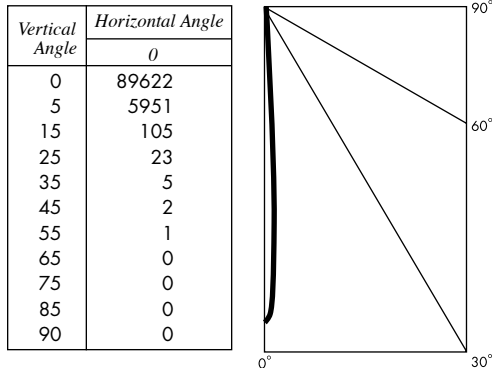
Luminaire track-mounted LED accent light with a 5° reflector and black ring baffle (NO LENS)

Lamp Cree LED, 2100 lumens, 3000K CCT



CANDLEPOWER DISTRIBUTION (Candela)

(based on 2700 lumens 80 CRI test)



LUMINAIRE LIGHT OUTPUT AND EFFICACY

LED Module Type	Luminaire Light Output	Luminaire CBCP	Luminaire Efficacy (lumens/watt)	System Wattage
1600 Lumens 80 CRI (L16S)	625*	66,320*	45*	14
2100 Lumens 80 CRI (L21S)	844*	89,622*	42*	20
1200 Lumens 98 CRI (L12A)	473*	50,188*	34*	14
1600 Lumens 98 CRI (L16A)	641*	68,113*	32*	20

*estimated values

PHOTOMETRIC REPORT (tested per IESNA LM-79-2008)

Prorated from Verification Services Report No. 12139550.01. Original test report furnished upon request.

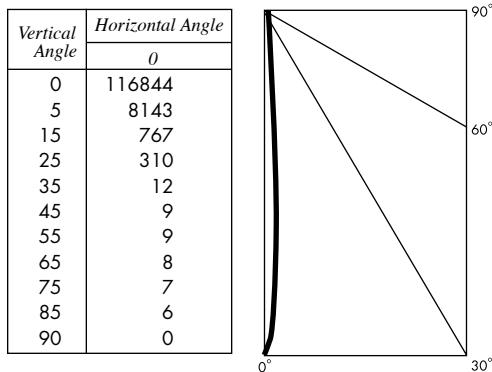
Luminaire track-mounted LED accent light with a 5° reflector and open aperture (NO LENS)

Lamp Cree LED, 2100 lumens, 3000K CCT



CANDLEPOWER DISTRIBUTION (Candela)

(based on 2700 lumens 80 CRI test)



LUMINAIRE LIGHT OUTPUT AND EFFICACY

LED Module Type	Luminaire Light Output	Luminaire CBCP	Luminaire Efficacy (lumens/watt)	System Wattage
1600 Lumens 80 CRI (L16S)	1093*	86465*	78*	14
2100 Lumens 80 CRI (L21S)	1477*	116844*	74*	20
1200 Lumens 98 CRI (L12A)	827*	65433*	59*	14
1600 Lumens 98 CRI (L16A)	1123*	88801*	56*	20

*estimated values

LIGHT OUTPUT MULTIPLIER

(based on 2700 lumens 80 CRI test)

LED Module	Light Output Multiplier
1600 Lumens 80 CRI (L16S)	.74*
2100 Lumens 80 CRI (L21S)	1
1200 Lumens 98 CRI (L12A)	.56*
1600 Lumens 98 CRI (L16A)	.76*

*estimated values

STANDARD DRIVER INFORMATION (UL Class 2, dry and damp location)

Voltage	120	277
Input Watts (L16S/L21S/L12A/L16A)	14/20/14/20	14/20/14/20
Input Current (A) (L16S/L21S/L12A/L16A)	.12/.17/.12/.17	.05/.07/.05/.07
Output Current (mA)	350-700	350-700
Min. Power Factor	0.90	0.90
Operating Temperature Range (F)	-4 to 122	-4 to 122