

Project

Date

Product Code

Type

Designer



MADE IN USA

[Click Here](#)

MAXIMA® HI O-OBM

surface mounted high-powered LED accent light



Maxima Hi O-OBM with Cross Baffle (OX)



Maxima Hi O-OBM with Open Aperture (OH)



aperture view



aperture view

Maxima Hi O-OBM is an accent light designed for mounting on a 4" octagonal outlet box. Luminaire is powered by one of a number of Citizen chip-on-board LED modules and is capable of 15°, 21° or 38° beam spreads. See tables below for wattages and efficacies.

- **Fixture function can be changed with your choice of Aperture Assembly** and your choice of 'twist and lock' [reflector](#).
 - **Aperture Assembly / Reflector choices**
 - **Cross Baffle (OX)** for enhanced glare control ; for use with interchangeable 15°, 21° and 38° reflectors.
 - **Open Aperture (OH)** for maximum efficacy; for use with interchangeable 15°, 21° and 38° reflectors.
- Fixture is ordered with a single Aperture Assembly and a single reflector. Additional aperture assemblies and reflectors may be ordered as accessories.
- **Optical Accessories:** Both **OX** and **OH** Aperture Assemblies accept one or two of a number of spread lenses or color filters. With the **OX** assembly lens orientation may be adjusted by rotating the cross baffle. A complimentary beam smoother is included with either assembly.
 - **Maxima luminaires have seamless aluminum housings** and cast aluminum tops for lightweight durability and heat dissipation.
 - **For more information, [click here](#).**

MODIFICATIONS AVAILABLE

Contact factory with quantity for pricing; orders may require shop drawing approval. For modified stem lengths up to 72", add the following to the end of the product code: + number of inches.

PRODUCT CODE

For complete product code, list basic unit and select one item from each following box.

Basic Unit	MX-CZL2-OB
Aperture Assembly	
Cross Baffle	- OX
Open Aperture	- OH
Reflector	
15° spot	15D
21° narrow flood.....	21D
38° flood.....	38D
Finish	
white paint finish	- WH
black paint finish	- BL
Industrial Silver paint finish	- SI
custom color paint finish... include paint number or physical chip with order ..	- CC

Light Source Output (Lumens)		
4000 lumens / 97 CRI	2700K & 3000K only	- L40A
5200 lumens / 80 CRI		- L52S

Driver		
dimmable to 1% by either an incandescent or electronic low voltage (ELV) dimmer on 120-volt track only		- DMP
dimmable to 1% by a 0-10V dimmer on 120-volt or 277-volt service		- DMV
non-dimmable: the only choice for 277-volt track		- UNVAD
For a model with an integral dimmer; see IDM Maxima HI O-OBM		

Light Color		
2700 K	- 27K	
3000 K	- 30K	
3500 K	not available with all Light Outputs (see above)	- 35K
4000 K	not available with all Light Outputs (see above)	- 40K
5000 K	not available with all Light Outputs (see above)	- 50K

EXTRA APERTURES & REFLECTORS

Specify as separate line items.

Aperture Assembly	
Cross Baffle	MX-CZL2-OX
Open Aperture	MX-CZL2-OH
Reflector	
15° spot	- 15D
21° narrow flood.....	- 21D
38° flood.....	- 38D

OPTICAL ACCESSORIES ▼ See next page



41-50 22ND STREET, LIC NY 11101 TEL 718.685.0700 FAX 718.786.8530 www.epl.com

©Copyright, Edison Price Lighting 2019

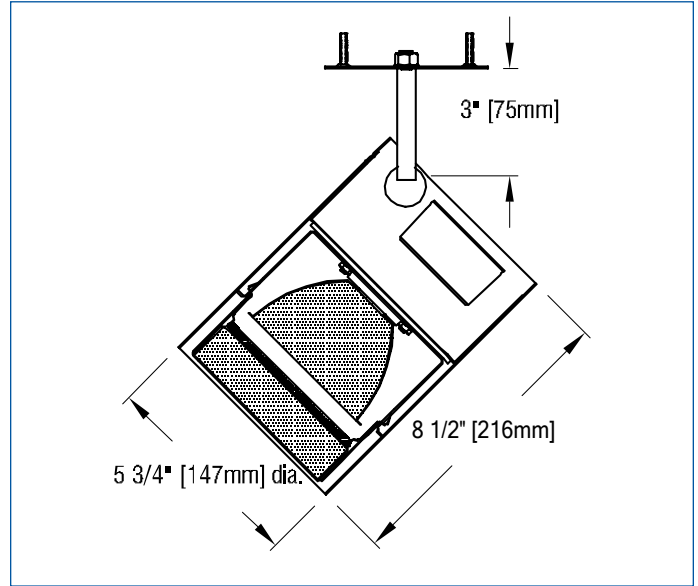
Maxima is a registered trademark of Edison Price Lighting.

LED 0-239-2 8:19

OPTICAL ACCESSORIES

Specify as separate line items; only for use with one of the above.
All are 4 3/4" (121mm) diameter. Lenses and filters are glass; screens are aluminum.

30° spread lens	LENS/4.75-30
20° x 55° spread lens	LENS/4.75
70° spread lens	LENS/4.75-70
prismatic lens (Solite)	PLS/4.75
40° x 70° spread lens	LENS/4.75-4070
beam smoother (included with fixture)	CLR/4.75
color filters	
Daylight Blue	DAY/4.75
Surprise Pink	PNK/4.75
blue	BLU/4.75
green	GRN/4.75
red	RED/4.75
33% light reduction screen	SCR33/4.75
50% light reduction screen	SCR50/4.75



APPLICATIONS

Luminaire is suitable for highlighting vertical or horizontal surfaces, as well as objects in museums, galleries, showrooms, residences, offices and stores.

Luminaire is listed for Damp Location mounting on a standard 4" octagonal outlet box (by others).

STANDARD DRIVER INFORMATION (UL Class 2, dry and damp location)

Voltage	120	277
Input Watts (L52S/L40A lumens)	40/40	40/40
Input Current(A) (L52S/L40A lumens)	.33/.33	.14/.14
Output Current (mA)	350-800	350-800
Min. Power Factor	0.99	0.90
Operating Temperature Range (F)	-4 to 122	-4 to 122

LIGHT OUTPUT MULTIPLIER

LED Module Type	Light Output Multiplier
5200 lumens 80 CRI	1
4000 lumens 97 CRI	0.77*

*estimated value

– photometrics continued –



PHOTOMETRIC REPORT with 15° reflector (tested per IESNA LM-79-2008)

Prorated from Verification Services Report No. 717366. Original test report furnished upon request.

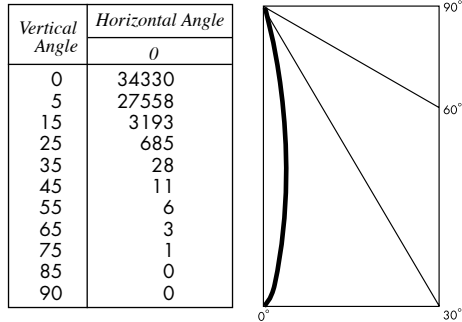
Luminaire surface-mounted LED accent light with a 15° reflector and black cross-baffle (NO LENS)

Lamp Citizen LED Module, 5200 lumens, 3000K

Lamp Life rated 50.000 hours based on L70/B50 criteria. LM80 report by LED manufacturer furnished upon request



CANDLEPOWER DISTRIBUTION



LUMINAIRE LIGHT OUTPUT AND EFFICACY

LED Module Type	Luminaire Light Output	Luminaire CBCP	Luminaire Efficacy (lms/watt)	System Wattage
5200 lumens 80 CRI	3323	34330	83	40
4000 lumens 97 CRI	2559*	26434*	64*	40

*estimated values

PHOTOMETRIC REPORT with 21° reflector (tested per IESNA LM-79-2008)

Prorated from Verification Services Report No. 717365. Original test report furnished upon request.

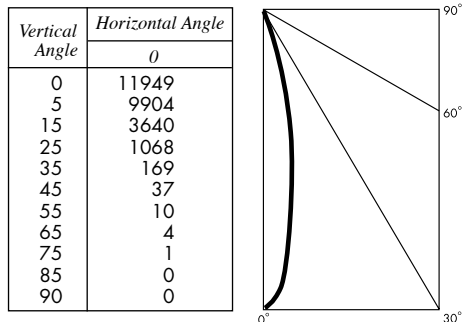
Luminaire surface-mounted LED accent light with a 21° reflector and black cross-baffle (NO LENS)

Lamp Citizen LED Module, 5200 lumens, 3000K

Lamp Life rated 50.000 hours based on L70/B50 criteria. LM80 report by LED manufacturer furnished upon request



CANDLEPOWER DISTRIBUTION



LUMINAIRE LIGHT OUTPUT AND EFFICACY

LED Module Type	Luminaire Light Output	Luminaire CBCP	Luminaire Efficacy (lms/watt)	System Wattage
5200 lumens 80 CRI	2546	11949	64	40
4000 lumens 97 CRI	1960*	9201*	49*	40

*estimated values

PHOTOMETRIC REPORT with 38° reflector (tested per IESNA LM-79-2008)

Prorated from Verification Services Report No. 717367. Original test report furnished upon request.

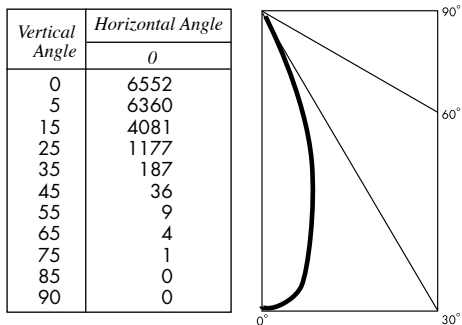
Luminaire surface-mounted LED accent light with a 38° reflector and black cross-baffle (NO LENS)

Lamp Citizen LED Module, 5200 lumens, 3000K

Lamp Life rated 50.000 hours based on L70/B50 criteria. LM80 report by LED manufacturer furnished upon request



CANDLEPOWER DISTRIBUTION



LUMINAIRE LIGHT OUTPUT AND EFFICACY

LED Module Type	Luminaire Light Output	Luminaire CBCP	Luminaire Efficacy (lms/watt)	System Wattage
5200 lumens 80 CRI	2453	6552	64	40
4000 lumens 97 CRI	1889*	5045*	49*	40

*estimated values

– photometrics continued –



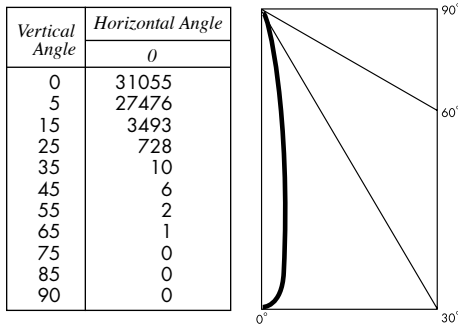
PHOTOMETRIC REPORT with 15° reflector (tested per IESNA LM-79-2008)

Prorated from Verification Services Report No. 717362. Original test report furnished upon request.

Luminaire surface-mounted LED accent light with a 15° reflector and open aperture (NO LENS)
 Lamp Citizen LED Module, 5200 lumens, 3000K
 Lamp Life rated 50.000 hours based on L70/B50 criteria. LM80 report by LED manufacturer furnished upon request



CANDLEPOWER DISTRIBUTION



LUMINAIRE LIGHT OUTPUT AND EFFICACY

LED Module Type	Luminaire Light Output	Luminaire CBCP	Luminaire Efficacy (lms/watt)	System Wattage
5200 lumens 80 CRI	3433	31468	86	40
4000 lumens 97 CRI	2643*	24230*	66*	40

*estimated values

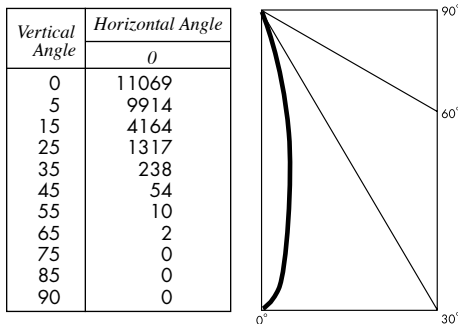
PHOTOMETRIC REPORT with 21° reflector (tested per IESNA LM-79-2008)

Prorated from Verification Services Report No. 717360. Original test report furnished upon request.

Luminaire surface-mounted LED accent light with a 21° reflector and open aperture (NO LENS)
 Lamp Citizen LED Module, 5200 lumens, 3000K
 Lamp Life rated 50.000 hours based on L70/B50 criteria. LM80 report by LED manufacturer furnished upon request



CANDLEPOWER DISTRIBUTION



LUMINAIRE LIGHT OUTPUT AND EFFICACY

LED Module Type	Luminaire Light Output	Luminaire CBCP	Luminaire Efficacy (lms/watt)	System Wattage
5200 lumens 80 CRI	2871	11069	72	40
4000 lumens 97 CRI	2211*	8523*	55*	40

*estimated values

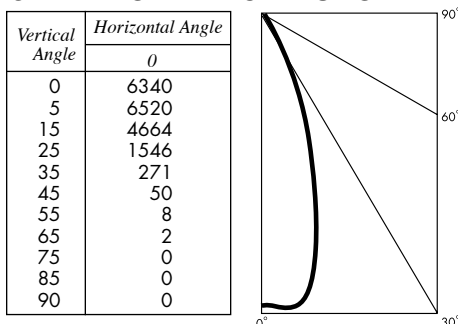
PHOTOMETRIC REPORT with 38° reflector (tested per IESNA LM-79-2008)

Prorated from Verification Services Report No. 717363. Original test report furnished upon request.

Luminaire surface-mounted LED accent light with a 38° reflector and open aperture (NO LENS)
 Lamp Citizen LED Module, 5200 lumens, 3000K
 Lamp Life rated 50.000 hours based on L70/B50 criteria. LM80 report by LED manufacturer furnished upon request



CANDLEPOWER DISTRIBUTION



LUMINAIRE LIGHT OUTPUT AND EFFICACY

LED Module Type	Luminaire Light Output	Luminaire CBCP	Luminaire Efficacy (lms/watt)	System Wattage
5200 lumens 80 CRI	2864	6520	72	40
4000 lumens 97 CRI	2205*	5020*	55*	40

*estimated values