

Project

Type



MADE IN USA

[Click Here](#)

Date

Product Code

Designer

MAXIMA[®] HI O

track mounted high-powered LED accent light



Maxima Hi O with Cross Baffle (OX) Maxima Hi O with Open Aperture (OH)



aperture view



aperture view

Maxima Hi O is a track mounted high ceiling accent light capable of 15°, 21° or 38° beam spreads. Luminaire is powered by one of a number of Citizen chip-on-board LED modules. See tables below for wattages and efficacies.

- Luminaire may be configured to mount to any of eighteen 20-amp, 120-volt [track systems](#) – or – to any of six 277-volt track systems.
 - Fixture function can be changed with your choice of Aperture Assembly and your choice of 'twist and lock' [reflector](#).
 - Aperture Assembly / Reflector choices
 - Cross Baffle (OX) for enhanced glare control ; for use with interchangeable 15°, 21° and 38° reflectors.
 - Open Aperture (OH) for maximum efficacy; for use with interchangeable 15°, 21° and 38° reflectors.
- Fixture is ordered with a single Aperture Assembly and a single reflector. Additional aperture assemblies and reflectors may be ordered as accessories.
- **Optical Accessories:** Both OX and OH Aperture Assemblies accept one or two of a number of spread lenses or color filters. With the OX assembly lens orientation may be adjusted by rotating the cross baffle. A complimentary beam smoother is included with either assembly.
 - Maxima luminaires have seamless aluminum housings and cast aluminum tops for lightweight durability and heat dissipation.
 - For more information, [click here](#).

For the outlet box mounted version of this luminaire, see [Maxima HI O-QBM](#).

MODIFICATIONS AVAILABLE

Contact factory with quantity for pricing; orders may require shop drawing approval.
For modified stem lengths up to 72", add the following to the end of the product code:
+ number of inches.

PRODUCT CODE

For complete product code, list basic unit and select one item from each following box.

Basic Unit MX-CZL2

Track Configuration

120-volt track (e.g. SightLine) - 2C
277-volt track (e.g. HighLine) no switch; not dimmable - HC

Aperture Assembly

Cross Baffle - OX
Open Aperture - OH

Reflector

15° spot 15D
21° narrow flood 21D
38° flood 38D

Finish

white paint finish - WH
black paint finish - BL
Industrial Silver paint finish - SI
custom color paint finish... include paint number or physical chip with order ... - CC

Light Source Output (Lumens)

4000 lumens / 97 CRI 2700K & 3000K only - L40A
5200 lumens / 80 CRI - L52S

Driver

dimmable to 1% by either an incandescent or electronic low voltage (ELV) dimmer on 120-volt track only - DMP
non-dimmable: the only choice for 277-volt track - UNVAD

Light Color

2700 K - 27K
3000 K - 30K
3500 K not available with all Light Outputs (see above) - 35K
4000 K not available with all Light Outputs (see above) - 40K
5000 K not available with all Light Outputs (see above) - 50K

OPTIONS *Specify by adding to the product code.*

a rocker type on/off switch on fixture top, for use on 120-volt track only - SW
white switch for white fixture, black for Silver or black fixture, specify which for custom color fixture

EXTRA APERTURES & REFLECTORS

Specify as separate line items.

Aperture Assembly

Cross Baffle RK-MX-OX
Open Aperture RX-MX-OH

Reflector

15° spot RK-MX-REF 15
21° narrow flood RK-MX-REF 21
38° flood RK-MX-REF 38

OPTICAL ACCESSORIES ▼ *See next page*



41-50 22ND STREET, LIC NY 11101 TEL 718.685.0700 FAX 718.786.8530 www.epl.com

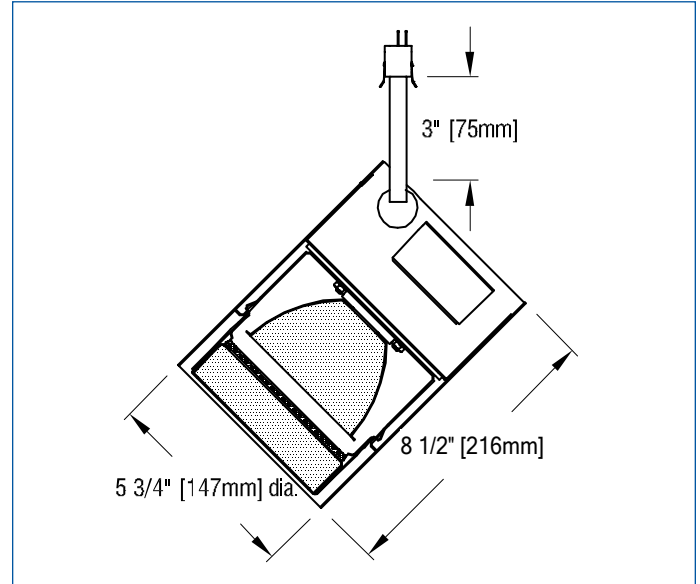
©Copyright, Edison Price Lighting 2019
Maxima is a registered trademark of Edison Price Lighting.

TF 11-158.2 8-19

OPTICAL ACCESSORIES

Specify as separate line items; only for use with one of the above.
All are 4 3/4" (121mm) diameter. Lenses and filters are glass; screens are aluminum.

30° spread lens	LENS/4.75-30
20° x 55° spread lens	LENS/4.75
70° spread lens	LENS/4.75-70
prismatic lens (Solite)	PLS/4.75
40° x 70° spread lens	LENS/4.75-4070
beam smoother (included with fixture)	CLR/4.75
color filters	
Daylight Blue	DAY/4.75
Surprise Pink	PNK/4.75
blue	BLU/4.75
green	GRN/4.75
red	RED/4.75
33% light reduction screen	SCR33/4.75
50% light reduction screen	SCR50/4.75



APPLICATIONS

Luminaire is suitable for highlighting vertical or horizontal surfaces, as well as objects in museums, galleries, showrooms, residences, offices and stores.

Luminaire is listed for mounting on Edison Price Lighting 120-volt or 277-volt track.

STANDARD DRIVER INFORMATION (UL Class 2, dry and damp location)

Voltage	120	277
Input Watts (L52S/L40A lumens)	40/40	40/40
Input Current(A) (L52S/L40A lumens)	.33/.33	.14/.14
Output Current (mA)	350-800	350-800
Min. Power Factor	0.99	0.90
Operating Temperature Range (F)	-4 to 122	-4 to 122

LIGHT OUTPUT MULTIPLIER

LED Module Type	Light Output Multiplier
5200 lumens 80 CRI	1
4000 lumens 97 CRI	0.77*

*estimated value

– photometrics continued –



PHOTOMETRIC REPORT with 15° reflector (tested per IESNA LM-79-2008)

Prorated from Verification Services Report No. 717366. Original test report furnished upon request.

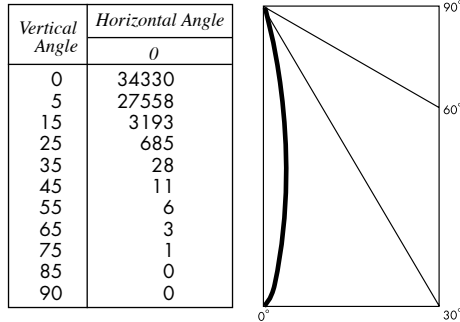
Luminaire track-mounted LED accent light with a 15° reflector and black cross-baffle (NO LENS)

Lamp Citizen LED Module, 5200 lumens, 3000K

Lamp Life rated 50.000 hours based on L70/B50 criteria. LM80 report by LED manufacturer furnished upon request



CANDLEPOWER DISTRIBUTION



LUMINAIRE LIGHT OUTPUT AND EFFICACY

LED Module Type	Luminaire Light Output	Luminaire CBCP	Luminaire Efficacy (lms/watt)	System Wattage
5200 lumens 80 CRI	3323	34330	83	40
4000 lumens 97 CRI	2559*	26434*	64*	40

*estimated values

PHOTOMETRIC REPORT with 21° reflector (tested per IESNA LM-79-2008)

Prorated from Verification Services Report No. 717365. Original test report furnished upon request.

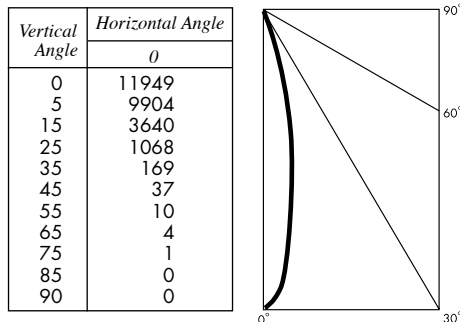
Luminaire track-mounted LED accent light with a 21° reflector and black cross-baffle (NO LENS)

Lamp Citizen LED Module, 5200 lumens, 3000K

Lamp Life rated 50.000 hours based on L70/B50 criteria. LM80 report by LED manufacturer furnished upon request



CANDLEPOWER DISTRIBUTION



LUMINAIRE LIGHT OUTPUT AND EFFICACY

LED Module Type	Luminaire Light Output	Luminaire CBCP	Luminaire Efficacy (lms/watt)	System Wattage
5200 lumens 80 CRI	2546	11949	64	40
4000 lumens 97 CRI	1960*	9201*	49*	40

*estimated values

PHOTOMETRIC REPORT with 38° reflector (tested per IESNA LM-79-2008)

Prorated from Verification Services Report No. 717367. Original test report furnished upon request.

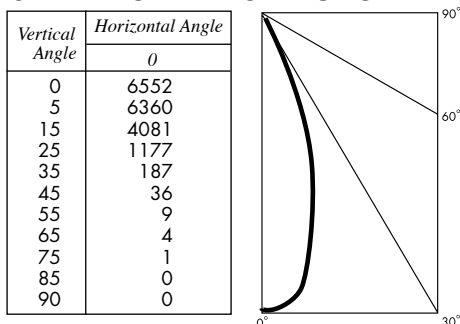
Luminaire track-mounted LED accent light with a 38° reflector and black cross-baffle (NO LENS)

Lamp Citizen LED Module, 5200 lumens, 3000K

Lamp Life rated 50.000 hours based on L70/B50 criteria. LM80 report by LED manufacturer furnished upon request



CANDLEPOWER DISTRIBUTION



LUMINAIRE LIGHT OUTPUT AND EFFICACY

LED Module Type	Luminaire Light Output	Luminaire CBCP	Luminaire Efficacy (lms/watt)	System Wattage
5200 lumens 80 CRI	2453	6552	64	40
4000 lumens 97 CRI	1889*	5045*	49*	40

*estimated values

– photometric con't –



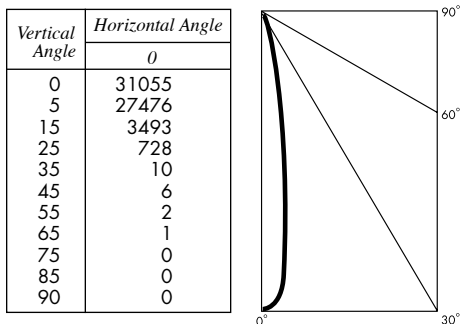
PHOTOMETRIC REPORT with 15° reflector (tested per IESNA LM-79-2008)

Prorated from Verification Services Report No. 717362. Original test report furnished upon request.

Luminaire track-mounted LED accent light with a 15° reflector and open aperture (NO LENS)
 Lamp Citizen LED Module, 5200 lumens, 3000K
 Lamp Life rated 50.000 hours based on L70/B50 criteria. LM80 report by LED manufacturer furnished upon request



CANDLEPOWER DISTRIBUTION



LUMINAIRE LIGHT OUTPUT AND EFFICACY

LED Module Type	Luminaire Light Output	Luminaire CBCP	Luminaire Efficacy (lms/watt)	System Wattage
5200 lumens 80 CRI	3433	31468	86	40
4000 lumens 97 CRI	2643*	24230*	66*	40

*estimated values

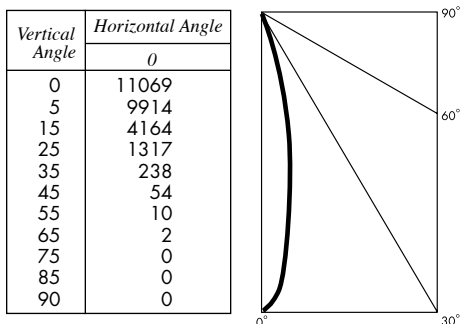
PHOTOMETRIC REPORT with 21° reflector (tested per IESNA LM-79-2008)

Prorated from Verification Services Report No. 717360. Original test report furnished upon request.

Luminaire track-mounted LED accent light with a 21° reflector and open aperture (NO LENS)
 Lamp Citizen LED Module, 5200 lumens, 3000K
 Lamp Life rated 50.000 hours based on L70/B50 criteria. LM80 report by LED manufacturer furnished upon request



CANDLEPOWER DISTRIBUTION



LUMINAIRE LIGHT OUTPUT AND EFFICACY

LED Module Type	Luminaire Light Output	Luminaire CBCP	Luminaire Efficacy (lms/watt)	System Wattage
5200 lumens 80 CRI	2871	11069	72	40
4000 lumens 97 CRI	2211*	8523*	55*	40

*estimated values

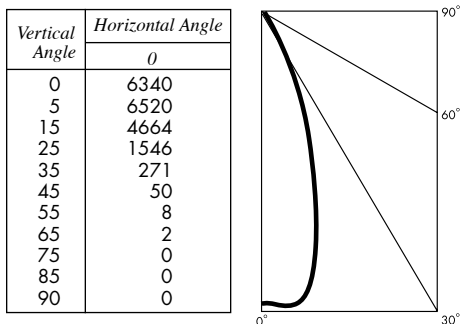
PHOTOMETRIC REPORT with 38° reflector (tested per IESNA LM-79-2008)

Prorated from Verification Services Report No. 717363. Original test report furnished upon request.

Luminaire track-mounted LED accent light with a 38° reflector and open aperture (NO LENS)
 Lamp Citizen LED Module, 5200 lumens, 3000K
 Lamp Life rated 50.000 hours based on L70/B50 criteria. LM80 report by LED manufacturer furnished upon request



CANDLEPOWER DISTRIBUTION



LUMINAIRE LIGHT OUTPUT AND EFFICACY

LED Module Type	Luminaire Light Output	Luminaire CBCP	Luminaire Efficacy (lms/watt)	System Wattage
5200 lumens 80 CRI	2864	6520	72	40
4000 lumens 97 CRI	2205*	5020*	55*	40

*estimated values