

# MAXIMA® HI W

track mounted high-powered LED wallwasher



- Luminaire may be configured to mount to any of eighteen 20-amp, 120-volt [track systems](#) – or – to any of six 277-volt track systems.
- The optical assembly consists of an aluminum [reflector](#) and a 40° x 70° spread lens. In addition, the assembly can accept one of a number of optional [Optical Accessories](#) including color filters and screens. Assembly is keyed relative to luminaire housing, to retain critical lens orientation.
- A concealed swivel provides 385° horizontal rotation and vertical adjustment from 0° to 90°. The swivel is permanently tensioned, allowing the luminaire to remain fixed at any aiming angle.
- Maxima luminaires have seamless aluminum housings and cast aluminum tops for lightweight durability and heat dissipation.
- For more information, [click here](#).

For the outlet box mounted version of this luminaire, see [Maxima HI W-OBM](#).

Maxima Hi W is a track mounted high ceiling wallwasher powered by one of a number of Citizen chip-on-board LED modules. See tables below for wattages and efficacies.

## PRODUCT CODE

For complete product code, list basic unit and select one item from each following box.

<b>Basic Unit</b> .....	MX-CZL2-W
<b>Track Configuration</b>	
120-volt track (e.g. SightLine) .....	- 2C
277-volt track (e.g. HighLine) .....	no switch; not dimmable ..... - HC
<b>Finish</b>	
white paint finish .....	- WH
black paint finish .....	- BL
Industrial Silver paint finish .....	- SI
custom color paint finish... include paint number or physical chip with order ..	- CC
<b>Driver</b>	
dimmable to 1% by either an incandescent or electronic low voltage (ELV) dimmer on 120-volt track only .....	- DMP
non-dimmable: the only choice for 277-volt track .....	- UNVAD
<b>Light Source Output (Lumens)</b>	
4000 lumens / 97 CRI .....	2700K & 3000K only ..... - L40A
5200 lumens / 80 CRI .....	- L52S
<b>Light Color</b>	
2700 K .....	- 27K
3000 K .....	- 30K
3500 K .....	not available with all Light Outputs (see above) ..... - 35K
4000 K .....	not available with all Light Outputs (see above) ..... - 40K
5000 K .....	not available with all Light Outputs (see above) ..... - 50K

## OPTIONS *Specify by adding to the product code.*

a rocker type <b>on/off switch</b> on fixture top, for use on 120-volt track only .....	- SW
white switch for white fixture, black for Silver or black fixture, specify which for custom color fixture	

## OPTICAL ACCESSORIES ▼ *See next page*



## OPTICAL ACCESSORIES

Specify as separate line items; only for use with one of the above.  
 All are 4 3/4" (121mm) diameter. Lenses and filters are glass; screens are aluminum.

**40° x 70° spread lens** (included with fixture) ..... LENS/4.75-4070

### color filters

Daylight Blue ..... DAY/4.75

Surprise Pink ..... PNK/4.75

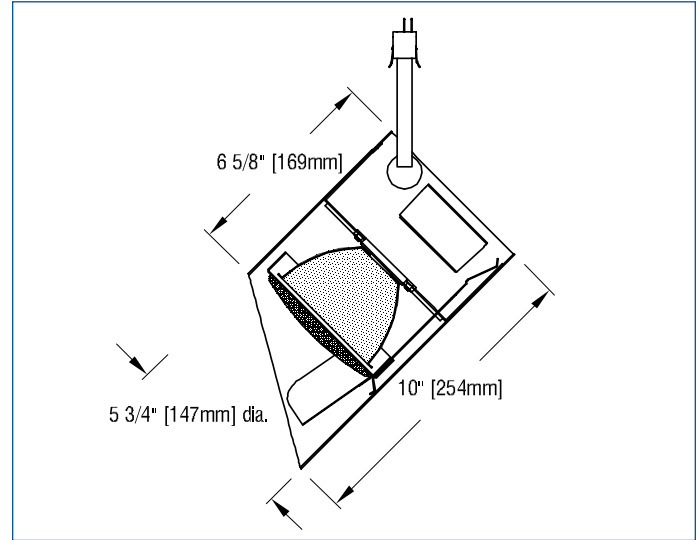
blue ..... BLU/4.75

green ..... GRN/4.75

red ..... RED/4.75

**33% light reduction screen** ..... SCR33/4.75

**50% light reduction screen** ..... SCR50/4.75



## APPLICATIONS

Luminaire is suitable for highlighting vertical surfaces in museums, galleries, showrooms, residences, offices and stores.

Luminaire is listed for mounting on Edison Price Lighting 120-volt or 277-volt track.

– see below for photometric reports –



## PHOTOMETRIC REPORT (tested per IESNA LM-79-2008)

Verification Services Report No. 717364. Original test report furnished upon request.

Luminaire ..... track-mounted LED wallwasher with an internal reflector, a 40° x 70° spread lens and a specular kicker reflector.

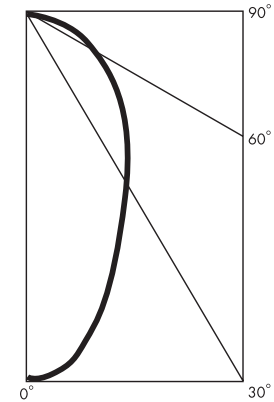
Lamp ..... Citizen LED Module, 5200 lumens, 3000K

Lamp Life ..... rated 50,000 hours based on L70/B50 criteria. LM80 report by LED manufacturer furnished upon request

## WALLWASH INFORMATION

Distance From Ceiling (Feet)	5' From Wall; 5' O.C.		5' 6" From Wall; 5' 6" O.C.		6' From Wall; 6' O.C.	
	Below Fixture	Between Fixtures	Below Fixture	Between Fixtures	Below Fixture	Between Fixtures
1	25	22	20	18	17	15
2	31	27	25	22	20	18
3	34	31	27	25	22	20
4	32	32	28	26	24	22
5	31	30	26	26	22	22
6	28	28	24	24	21	21
7	25	24	22	22	20	19
8	21	21	20	19	18	18
9	18	18	17	17	16	16
10	16	16	15	15	14	14
11	13	13	13	13	13	12
12	11	11	11	11	11	11
13	10	10	10	10	10	9
14	8	8	8	8	8	8
15	7	7	7	7	7	7
16	6	6	6	6	6	6
17			6	6	6	6
18			5	5	5	5
19					4	4
20					4	4

## CANDLEPOWER DISTRIBUTION



This table lists initial illuminance values at the center of a row of at least 5 fixtures with no contribution from ceiling or floor reflectance. Fixtures were modeled with maximum candlepower at 20° above vertical.

## STANDARD DRIVER INFORMATION (UL Class 2, dry and damp location)

Voltage	120	277
Input Watts (L52S/L40A lumens)	40/40	40/40
Input Current(A) (L52S/L40A lumens)	.33/.33	.14/.14
Output Current (mA)	350-800	350-800
Min. Power Factor	0.99	0.90
Operating Temperature Range (F)	-4 to 122	-4 to 122

## LIGHT OUTPUT MULTIPLIER

LED Module Type	Light Output Multiplier
5200 lumens 80 CRI	1
4000 lumens 97 CRI	0.77*

\*estimated value

## LUMINAIRE LIGHT OUTPUT AND EFFICACY

LED Module Type	Luminaire Light Output	Luminaire Efficacy (lumens/watt)	System Wattage
5200 lumens 80 CRI	2327	58	40
4000 lumens 97 CRI	1792*	45*	40

\*estimated values