

Project

Type



Date

Product Code

Designer

MAXIMA™ CZS NSP-OBM

surface mounted LED spotlight



Maxima CZS NSP-OBM with Ring Baffle (OG)

Maxima CZS NSP-OBM with Open Aperture (OH)



aperture view



aperture view

Maxima CZS NSP-OBM is a surface mounted 9° spotlight powered by Citizen chip-on-board LED modules providing either a CRI of 97 within 2-step MacAdam ellipses or a CRI of 80 within 3-step MacAdam ellipses. Luminaire is capable of CBCP as high as 61,042. See tables on reverse for wattages and efficacies.

- Luminaire is designed for mounting on a 4" octagonal outlet box (by others).
- Fixture appearance and performance can be changed with your choice of Aperture Assembly.
- Aperture Assembly choices
 - Ring Baffle with lens clips (OG) for enhanced glare control; clips accept one or two [Optical Accessories](#) including spread lenses, filters and screens.
 - Open Aperture (OH) for maximum efficacy; concealed lens holder accepts one or two [Optical Accessories](#).
- Fixture is ordered with a single aperture assembly; an additional aperture assembly may be ordered as an accessory.
- A concealed swivel provides 385° horizontal rotation and vertical adjustment from 0° to 90°. The swivel is permanently tensioned, allowing the luminaire to remain fixed at any aiming angle.
- Maxima luminaires have seamless aluminum housings and cast aluminum tops for lightweight durability and heat dissipation.
- For more information, [click here](#).

PRODUCT CODE

For complete product code, list basic unit and select one item from each following box.

Basic Unit	MX-CZS2-OB-9D	
Aperture Assembly		
Ring Baffle with Optical Accessory clips	OG	
Open Aperture	OH	
Finish		
white paint finish	WH	
black paint finish	BL	
Industrial Silver paint finish	SI	
custom color paint finish..... include physical chip with order	CC	
Driver		
dimmable to 5% by either an incandescent or electronic low voltage (ELV) dimmer on 120-volt service only	DMP	
dimmable to 10% or 1% with a 0-10V dimmer on 120-volt or 277-volt service	DMV	
Light Source Output (Lumens)		
1500 lumens / 97 CRI	2700K & 3000K only	L15A
2100 lumens / 97 CRI	2700K & 3000K only	L21A
2800 lumens / 97 CRI	2700K & 3000K only	L28A
3000 lumens / 97 CRI	2700K & 3000K only	L30A
1900 lumens / 80 CRI	L19S
2700 lumens / 80 CRI	L27S
3600 lumens / 80 CRI	L36S
4000 lumens / 80 CRI	L40S
Light Color		
2700 K	27K
3000 K	30K
3500 K	not available with all Light Outputs (see above)	35K
4000 K	not available with all Light Outputs (see above)	40K

OPTIONS Specify by adding to the product code.

a rocker type on/off switch on fixture top, for use on 120-volt track only	SW
white switch for white fixture, black for Silver or black fixture, specify which for custom color fixture	

EXTRA APERTURES Specify as separate line items.

Aperture Assembly	
Ring Baffle with Optical Accessory clips	RK-MX-VNSP-OG
Open Aperture	RK-LX-OH

OPTICAL ACCESSORIES ▼ See next page

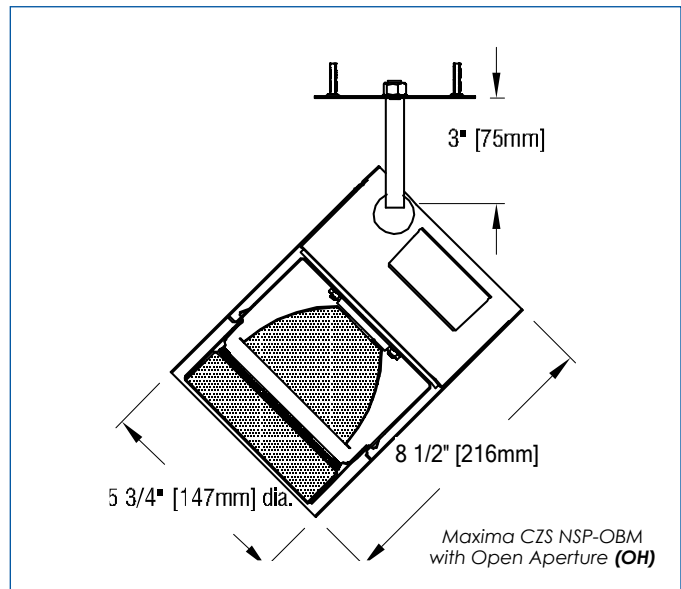
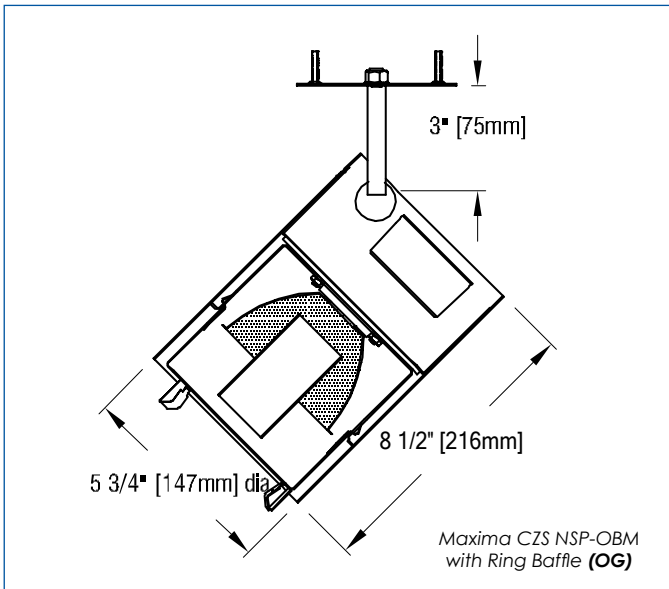


OPTICAL ACCESSORIES

Specify as separate items

All are 4 3/4" (121mm) diameter. Lenses and filters are glass; screens are aluminum.

30° spread lens	LENS/4.75-30
20° x 55° spread lens	LENS/4.75
70° spread lens	LENS/4.75-70
prismatic lens (Solite)	PLS/4.75
40° x 70° spread lens	LENS/4.75-4070
beam smoother	CLR/4.75
color filters	
Daylight Blue	DAY/4.75
Surprise Pink	PNK/4.75
amber	AMB/4.75
blue	BLU/4.75
green	GRN/4.75
red	RED/4.75
33% light reduction screen	SCR33/4.75
50% light reduction screen	SCR50/4.75



APPLICATIONS

Luminaire is suitable for highlighting vertical or horizontal surfaces, as well as objects in museums, galleries, showrooms, residences, offices and stores.

Luminaire is listed for Damp Location mounting on a standard 4" octagonal outlet box (by others).

– see below for photometric reports –



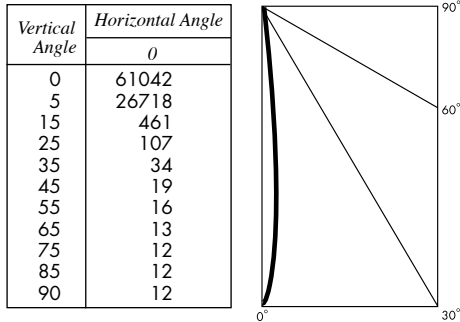
PHOTOMETRIC REPORT with 9° reflector (tested per IESNA LM-79-2008)



Prorated from Verification Services Report No. 12186406.02. Original test report furnished upon request.

Luminaire surface-mounted LED accent light with a 9° reflector and black ring-baffle (NO LENS)
 Lamp Citizen LED Module, 4000 lumens, 3000K

CANDLEPOWER DISTRIBUTION



LUMINAIRE LIGHT OUTPUT AND EFFICACY

LED Module Type	Luminaire Light Output	Luminaire CBCP	Luminaire Efficacy (lms/watt)	System Wattage
1900 Lumens 80 CRI (L19S)	1062*	29,911*	88*	12
2700 Lumens 80 CRI (L27S)	1474*	41,509*	78*	19
3600 Lumens 80 CRI (L36S)	1972*	55,548*	73*	27
4000 Lumens 80 CRI (L40S)	2167*	61,042*	70*	31
1500 Lumens 97 CRI (L15A)	802*	22,586*	67*	12
2100 Lumens 97 CRI (L21A)	1127*	31,742*	59*	19
2800 Lumens 97 CRI (L28A)	1517*	42,729*	56*	27
3000 Lumens 97 CRI (L30A)	1669*	47,002*	54*	31

*estimated values

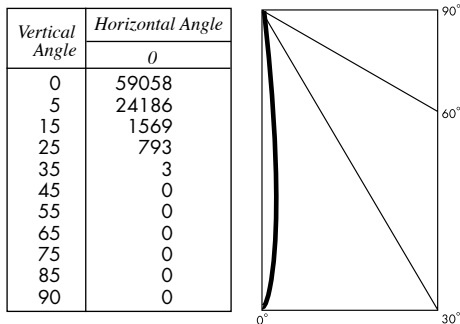
PHOTOMETRIC REPORT with 9° reflector (tested per IESNA LM-79-2008)



Prorated from Verification Services Report No. 755333. Original test report furnished upon request.

Luminaire surface-mounted LED accent light with a 9° reflector and open aperture (NO LENS)
 Lamp Citizen LED Module, 4000 lumens, 3000K

CANDLEPOWER DISTRIBUTION



LUMINAIRE LIGHT OUTPUT AND EFFICACY

LED Module Type	Luminaire Light Output	Luminaire CBCP	Luminaire Efficacy (lms/watt)	System Wattage
1900 Lumens 80 CRI (L19S)	1271*	28938*	106*	12
2700 Lumens 80 CRI (L27S)	1764*	40159*	93*	19
3600 Lumens 80 CRI (L36S)	2361*	53743*	87*	27
4000 Lumens 80 CRI (L40S)	2594*	59058*	84*	31
1500 Lumens 97 CRI (L15A)	960*	21851*	80*	12
2100 Lumens 97 CRI (L21A)	1349*	30710*	71*	19
2800 Lumens 97 CRI (L28A)	1816*	41341*	67*	27
3000 Lumens 97 CRI (L30A)	1997*	45475*	64*	31

*estimated values

STANDARD DRIVER INFORMATION (UL Class 2, dry and damp location)

Voltage	120	277
Input Watts (L19S/L27S/L36S/L40S/L15A/L21A/L28A/L30A)	12/19/27/31/12/19/27/31	12/19/27/31/12/19/27/31
Input Current(A) (L19S/L27S/L36S/L40S/L15A/L21A/L28A/L30A)	.10/.16/.23/.26/.10/.16/.23/.26	.04/.07/.10/.11/.04/.07/.10/.11
Output Current (mA)	350-800	350-800
Min. Power Factor	0.99	0.90
Operating Temperature Range (F)	-4 to 122	-4 to 122

LIGHT OUTPUT MULTIPLIER

LED Module Type	Light Output Multiplier
1900 Lumens 80 CRI (L19S)	0.49*
2700 Lumens 80 CRI (L27S)	0.68*
3600 Lumens 80 CRI (L36S)	0.91*
4000 Lumens 80 CRI (L40S)	1
1500 Lumens 97 CRI (L15A)	0.37*
2100 Lumens 97 CRI (L21A)	0.52*
2800 Lumens 97 CRI (L28A)	0.7*
3000 Lumens 97 CRI (L30A)	0.77*