

Project

Date

Product Code

Type

Designer



MAXIMA® CZS O

track mounted LED accent light



Maxima CZS O is a track mounted accent light capable of 16° to 40° beam spreads. Luminaire is powered by Citizen chip-on-board LED's providing either a CRI of 97 within 2-step MacAdam ellipses or a CRI of 80 within 3-step MacAdam ellipses. See tables on reverse for wattages and efficacies.

- Luminaire may be configured to mount to any of eighteen 20-amp, 120-volt [track systems](#) – or – to any of six 277-volt track systems.
 - Fixture function can be changed with your choice of Aperture Assembly and your choice of 'twist and lock' [reflector](#).
 - Aperture Assembly / Reflector choices
 - Cross Baffle (OX) for enhanced glare control; for use with interchangeable 16°, 28° and 40° reflectors.
 - Open Aperture (OH) for maximum efficacy; for use with interchangeable 16°, 28° and 40° reflectors.
- Fixture is ordered with a single Aperture Assembly and a single reflector. Additional aperture assemblies and reflectors may be ordered as accessories.
- **Optical Accessories:** Both OX and OH Aperture Assemblies accept one or two of a number of spread lenses or color filters. With the OX assembly lens orientation may be adjusted by rotating the cross baffle. A complimentary beam smoother is included with either assembly.
 - Maxima luminaires have seamless aluminum housings and cast aluminum tops for lightweight durability and heat dissipation.
 - For more information, [click here](#).

For the outlet box mounted version of this luminaire, see [Maxima CZS O-OBM](#).

PRODUCT CODE

For complete product code, list basic unit and select one item from each following box.

Basic Unit MX-CZS2

Track Configuration

120-volt track (e.g. SightLine) 2C

277-volt track (e.g. HighLine) no switch; not dimmable HC

Aperture Assembly

Cross Baffle OX

Open Aperture OH

Beam Spread Reflector (specify one to ship with fixture)

16° spot 16D

28° narrow flood 28D

40° flood 40D

Finish

white paint finish WH

black paint finish BL

Industrial Silver paint finish SI

custom color paint finish... include paint number or physical chip with order ... CC

Driver

dimmable to 5% by either an incandescent or electronic low voltage (ELV) dimmer on 120-volt track only DMP

non-dimmable: the only choice for 277-volt track UNVAD

For a model with an integral dimmer; see [IDM Maxima CZS O](#)

Light Source Output (Lumens)

1500 lumens / 97 CRI 2700K & 3000K only L15A

2100 lumens / 97 CRI 2700K & 3000K only L21A

2800 lumens / 97 CRI 2700K & 3000K only L28A

3000 lumens / 97 CRI 2700K & 3000K only L30A

1900 lumens / 80 CRI L19S

2700 lumens / 80 CRI L27S

3600 lumens / 80 CRI L36S

4000 lumens / 80 CRI L40S

For higher light source outputs; see [Maxima Hi O](#)

Light Color

2700 K 27K

3000 K 30K

3500 K not available with all Light Outputs (see above) 35K

4000 K not available with all Light Outputs (see above) 40K

OPTIONS Specify by adding to the product code.

a rocker type on/off switch on fixture top, for use on 120-volt track only SW

white switch for white fixture, black for Silver or black fixture, specify which for custom color fixture

EXTRA APERTURES & REFLECTORS

Specify as separate line items.

Aperture Assembly

Cross Baffle RK-MX-OX

Open Aperture RK-MX-OH

Reflector

16° spot RK-MX-CZS2-REF-16D

28° narrow flood RK-MX-CZS2-REF-28D

40° flood RK-MX-CZS2-REF-40D

OPTICAL ACCESSORIES ▼ See next page



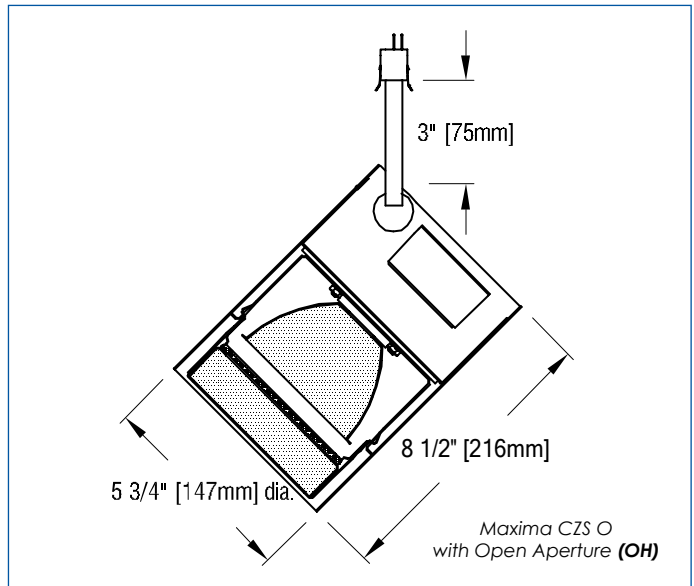
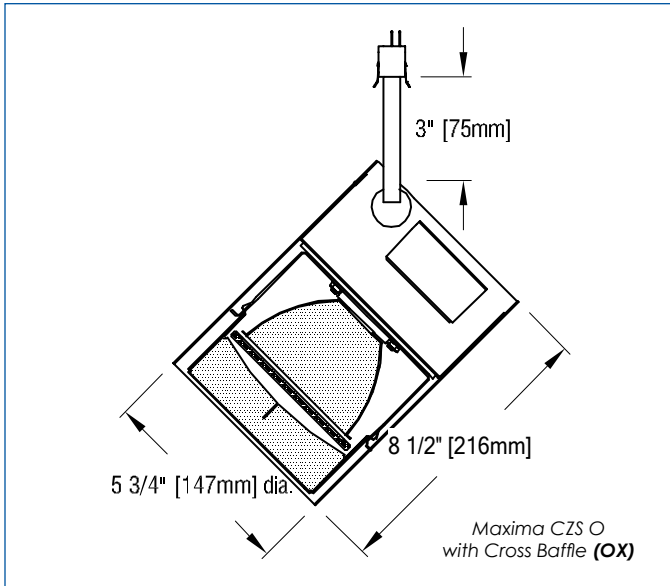
OPTICAL ACCESSORIES

Specify as separate line items; only for use with one of the above.
All are 4 3/4" (121mm) diameter. Lenses and filters are glass; screens are aluminum.

30° spread lens	LENS/4.75-30
20° x 55° spread lens	LENS/4.75
70° spread lens	LENS/4.75-70
prismatic lens (Solite)	PLS/4.75
40° x 70° spread lens	LENS/4.75-4070
beam smoother included with fixture	CLR/4.75
color filters	
Daylight Blue	DAY/4.75
Surprise Pink	PNK/4.75
amber	AMB/4.75
blue	BLU/4.75
green	GRN/4.75
red	RED/4.75
33% light reduction screen	SCR33/4.75
50% light reduction screen	SCR50/4.75

MODIFICATIONS AVAILABLE

Contact factory with quantity for pricing; orders may require shop drawing approval.
For modified stem lengths up to 72", add the following to the end of the product code:
+ number of inches.



APPLICATIONS

Luminaire is suitable for highlighting vertical or horizontal surfaces, as well as objects in museums, galleries, showrooms, residences, offices and stores.

Luminaire is listed for mounting on Edison Price Lighting 120-volt or 277-volt track.

– see below for photometric reports –



PHOTOMETRIC REPORT with 16° reflector (tested per IESNA LM-79-2008)

Prorated from Verification Services Report No. 12186406.04. Original test report furnished upon request.

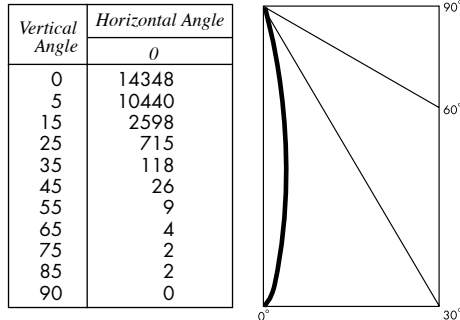
Luminaire track-mounted LED accent light with a 16° reflector and black cross-baffle (NO LENS)

Lamp Citizen LED Module, 4000 lumens, 3000K

Lamp Life rated 50.000 hours based on L70/B50 criteria. LM80 report by LED manufacturer furnished upon request



CANDLEPOWER DISTRIBUTION



LUMINAIRE LIGHT OUTPUT AND EFFICACY

LED Module Type	Luminaire Light Output	Luminaire CBCP	Luminaire Efficacy (lms/watt)	System Wattage
1900 Lumens 80 CRI (L19S)	1005*	7031*	84*	12
2700 Lumens 80 CRI (L27S)	1395*	9757*	73*	19
3600 Lumens 80 CRI (L36S)	1866*	13057*	69*	27
4000 Lumens 80 CRI (L40S)	2051*	14348*	66*	31
1500 Lumens 97 CRI (L15A)	759*	5309*	63*	12
2100 Lumens 97 CRI (L21A)	1067*	7461*	56*	19
2800 Lumens 97 CRI (L28A)	1436*	10044*	53*	27
3000 Lumens 97 CRI (L30A)	1579*	11048*	51*	31

*estimated values

PHOTOMETRIC REPORT with 28° reflector (tested per IESNA LM-79-2008)

Prorated from Verification Services Report No. 12186406.06. Original test report furnished upon request.

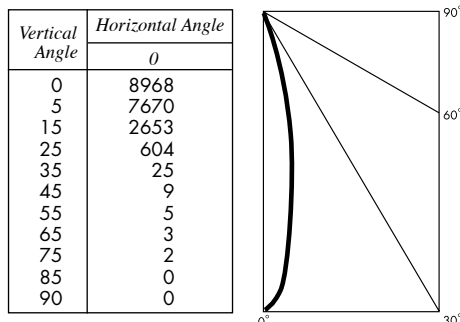
Luminaire track-mounted LED accent light with a 28° reflector and black cross-baffle (NO LENS)

Lamp Citizen LED Module, 4000 lumens, 3000K

Lamp Life rated 50.000 hours based on L70/B50 criteria. LM80 report by LED manufacturer furnished upon request



CANDLEPOWER DISTRIBUTION



LUMINAIRE LIGHT OUTPUT AND EFFICACY

LED Module Type	Luminaire Light Output	Luminaire CBCP	Luminaire Efficacy (lms/watt)	System Wattage
1900 Lumens 80 CRI (L19S)	867*	4394*	72*	12
2700 Lumens 80 CRI (L27S)	1203*	6098*	63*	19
3600 Lumens 80 CRI (L36S)	1610*	8161*	60*	27
4000 Lumens 80 CRI (L40S)	1769*	8968*	57*	31
1500 Lumens 97 CRI (L15A)	655*	3318*	55*	12
2100 Lumens 97 CRI (L21A)	920*	4663*	48*	19
2800 Lumens 97 CRI (L28A)	1238*	6278*	46*	27
3000 Lumens 97 CRI (L30A)	1362*	6905*	44*	31

*estimated values

PHOTOMETRIC REPORT with 40° reflector (tested per IESNA LM-79-2008)

Prorated from Verification Services Report No. 12186406.08. Original test report furnished upon request.

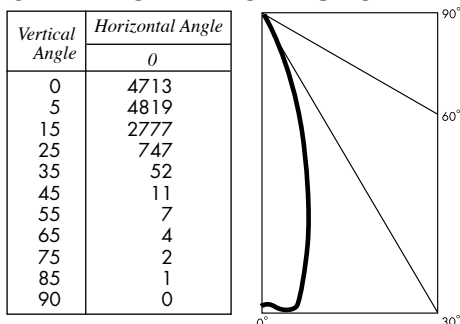
Luminaire track-mounted LED accent light with a 40° reflector and black cross-baffle (NO LENS)

Lamp Citizen LED Module, 4000 lumens, 3000K

Lamp Life rated 50.000 hours based on L70/B50 criteria. LM80 report by LED manufacturer furnished upon request



CANDLEPOWER DISTRIBUTION



LUMINAIRE LIGHT OUTPUT AND EFFICACY

LED Module Type	Luminaire Light Output	Luminaire CBCP	Luminaire Efficacy (lms/watt)	System Wattage
1900 Lumens 80 CRI (L19S)	805*	2361*	67*	12
2700 Lumens 80 CRI (L27S)	1117*	3277*	59*	19
3600 Lumens 80 CRI (L36S)	1494*	4385*	55*	27
4000 Lumens 80 CRI (L40S)	1642*	4819*	53*	31
1500 Lumens 97 CRI (L15A)	608*	1783*	51*	12
2100 Lumens 97 CRI (L21A)	854*	2506*	45*	19
2800 Lumens 97 CRI (L28A)	1149*	3373*	43*	27
3000 Lumens 97 CRI (L30A)	1264*	3711*	41*	31

*estimated values

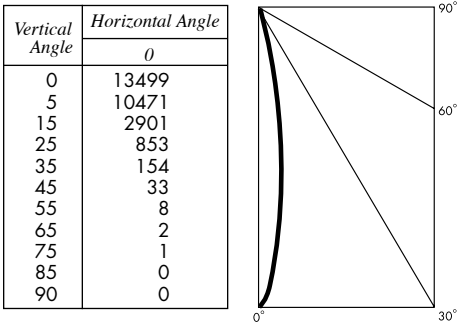
PHOTOMETRIC REPORT with 16° reflector (tested per IESNA LM-79-2008)

Prorated from Verification Services Report No. 12186406.03. Original test report furnished upon request.



Luminaire track-mounted LED accent light with a 16° reflector and black lens holder (NO LENS)
 Lamp Citizen LED Module, 4000 lumens, 3000K
 Lamp Life rated 50.000 hours based on L70/B50 criteria. LM80 report by LED manufacturer furnished upon request

CANDLEPOWER DISTRIBUTION



LUMINAIRE LIGHT OUTPUT AND EFFICACY

LED Module Type	Luminaire Light Output	Luminaire CBCP	Luminaire Efficacy (lms/watt)	System Wattage
1900 Lumens 80 CRI (L19S)	1099*	6615*	92*	12
2700 Lumens 80 CRI (L27S)	1525*	9179*	80*	19
3600 Lumens 80 CRI (L36S)	2041*	12,284*	76*	27
4000 Lumens 80 CRI (L40S)	2243*	13,499*	72*	31
1500 Lumens 97 CRI (L15A)	830*	4995*	69*	12
2100 Lumens 97 CRI (L21A)	1166*	7019*	61*	19
2800 Lumens 97 CRI (L28A)	1570*	9449*	58*	27
3000 Lumens 97 CRI (L30A)	1727*	10,394*	56*	31

*estimated values

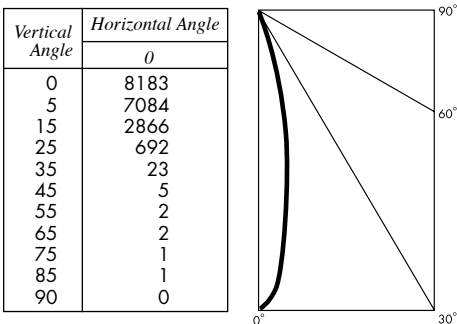
PHOTOMETRIC REPORT with 28° reflector (tested per IESNA LM-79-2008)

Prorated from Verification Services Report No. 12186406.05. Original test report furnished upon request.



Luminaire track-mounted LED accent light with a 28° reflector and black lens holder (NO LENS)
 Lamp Citizen LED Module, 4000 lumens, 3000K
 Lamp Life rated 50.000 hours based on L70/B50 criteria. LM80 report by LED manufacturer furnished upon request

CANDLEPOWER DISTRIBUTION



LUMINAIRE LIGHT OUTPUT AND EFFICACY

LED Module Type	Luminaire Light Output	Luminaire CBCP	Luminaire Efficacy (lms/watt)	System Wattage
1900 Lumens 80 CRI (L19S)	882*	3990*	74*	12
2700 Lumens 80 CRI (L27S)	1224*	5537*	64*	19
3600 Lumens 80 CRI (L36S)	1638*	7410*	61*	27
4000 Lumens 80 CRI (L40S)	1800*	8143*	58*	31
1500 Lumens 97 CRI (L15A)	666*	3013*	56*	12
2100 Lumens 97 CRI (L21A)	936*	4234*	49*	19
2800 Lumens 97 CRI (L28A)	1260*	5700*	47*	27
3000 Lumens 97 CRI (L30A)	1386*	6270*	45*	31

*estimated values

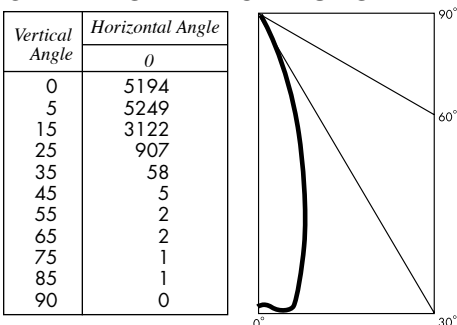
PHOTOMETRIC REPORT with 40° reflector (tested per IESNA LM-79-2008)

Prorated from Verification Services Report No. 12186406.07. Original test report furnished upon request.



Luminaire track-mounted LED accent light with a 40° reflector and black lens holder (NO LENS)
 Lamp Citizen LED Module, 4000 lumens, 3000K
 Lamp Life rated 50.000 hours based on L70/B50 criteria. LM80 report by LED manufacturer furnished upon request

CANDLEPOWER DISTRIBUTION



LUMINAIRE LIGHT OUTPUT AND EFFICACY

LED Module Type	Luminaire Light Output	Luminaire CBCP	Luminaire Efficacy (lms/watt)	System Wattage
1900 Lumens 80 CRI (L19S)	904*	2578*	75*	12
2700 Lumens 80 CRI (L27S)	1254*	3577*	66*	19
3600 Lumens 80 CRI (L36S)	1678*	4788*	62*	27
4000 Lumens 80 CRI (L40S)	1844*	5261*	59*	31
1500 Lumens 97 CRI (L15A)	682*	1947*	57*	12
2100 Lumens 97 CRI (L21A)	959*	2736*	50*	19
2800 Lumens 97 CRI (L28A)	1291*	3683*	48*	27
3000 Lumens 97 CRI (L30A)	1420*	4051*	46*	31

*estimated values

– photometric con't –



STANDARD DRIVER INFORMATION (UL Class 2, dry and damp location)

Voltage	120	277
Input Watts (L19S/L27S/L36S/L40S/L15A/L21A/L28A/L30A)	12/19/27/31/12/19/27/31	12/19/27/31/12/19/27/31
Input Current(A) (L19S/L27S/L36S/L40S/L15A/L21A/L28A/L30A)	.10/.16/.23/.26/.10/.16/.23/.26	.04/.07/.10/.11/.04/.07/.10/.11
Output Current (mA)	350-800	350-800
Min. Power Factor 0.99	0.90	0.90
Operating Temperature Range (F)	-4 to 122	-4 to 122

LIGHT OUTPUT MULTIPLIER

LED Module Type	Light Output Multiplier
1900 Lumens 80 CRI (L19S)	0.49*
2700 Lumens 80 CRI (L27S)	0.68*
3600 Lumens 80 CRI (L36S)	0.91*
4000 Lumens 80 CRI (L40S)	1
1500 Lumens 97 CRI (L15A)	0.37*
2100 Lumens 97 CRI (L21A)	0.52*
2800 Lumens 97 CRI (L28A)	0.7*
3000 Lumens 97 CRI (L30A)	0.77*