

Project

Type



Date

Product Code

Designer

# MAXIMA™ XTM O LH-OBM

surface mounted LED open aperture accent light



Maxima XTM O-OBM LH is a surface mounted accent light powered by one of a number of Xicato LED modules – including Artist Series and Vibrant Series modules – all of which are distinguished by extraordinary color consistency (within 1x2-step MacAdam ellipse). See tables on the reverse for wattages and efficacies.

- Luminaire is designed for mounting on a 4" octagonal outlet box (by others).
- Luminaire may be ordered with one of a number of drivers.
- Beam spread is changed by removing the spring-mounted lens holder assembly, replacing one 'twist and lock' reflector with another, and re-inserting the lens holder assembly. Luminaire is ordered with a single reflector; one or both of the other reflectors may be ordered as accessories.
- A concealed swivel provides 385° horizontal rotation and vertical adjustment from 0° to 90°. The swivel is permanently tensioned, allowing the luminaire to remain fixed at any aiming angle.
- Maxima XTM O-OBM LH fixtures accept one or two of a number of [Optical Accessories](#), including spread lenses, a beam smoother, color filters and light reduction screens. A complimentary Beam Smoother is included.
- Maxima luminaires have seamless aluminum housings and cast aluminum tops for lightweight durability and heat dissipation.
- For more information, [click here](#).

## PRODUCT CODE

For complete product code, list basic unit and select one item from each following box.

Basic Unit ..... MX-XTM-OB-OH

Beam Spread Reflector (specify one to ship with fixture)

28° narrow flood..... - 28D  
43° wide flood..... - 43D

Finish

white paint finish ..... - WH  
black paint finish ..... - BL  
Industrial Silver paint finish ..... - SI  
custom color paint finish...include paint number or physical chip with order... - CC

Driver

dimmable to 10% (see Light Output box below) with electronic low voltage (ELV) dimmer on 120-volt track ..... - DME  
dimmable to 5% (see Light Output box below) with either incandescent or electronic low voltage (ELV) dimmer on 120-volt track ..... - DMP  
dimmable to 10% or 1% (see Light Output box below) with a 0-10V dimmer on 120-volt or 277-volt service..... - DMV  
Dimmable by integral dimmer, see [IDM Maxima LED O LH-OBM](#)

Light Source Output (Lumens)

1000L /CRI 98 Artist ..... DMP (5%) or DMV (1%) ....L10A  
1400L /CRI 98 Artist..... DMP (5%) or DMV (1%) ....L14A  
1500L /CRI 80+ Vibrant...3000K only ... DMP (5%) or DMV (1%) ....L15V  
1500L /CRI 80+ ..... DMP (5%) or DMV (1%) ... L15S  
2140L /CRI 98 Artist ..... DME (10%) or DMV (1%) ...L21A  
2100L /CRI 80+ Vibrant...3000K only ... DMP (5%) or DMV (1%) ...L21V  
2100L /CRI CRI 80+ ..... DMP (5%) or DMV (1%) ... L21S

Light Color

2700 K ..... - 27K  
3000 K ..... - 30K  
3500 K ..... - 35K  
4000 K ..... - 40K

## OPTIONS Specify by adding to the product code.

a rocker type on/off switch on fixture top, for use on 120-volt track only..... - SW  
white switch for white fixture, black for Silver or black fixture, specify which for custom color fixture

## EXTRA REFLECTORS Specify as separate line items.

28° narrow flood reflector .....XTM-REF28-111  
43° flood reflector .....XTM-REF43-111

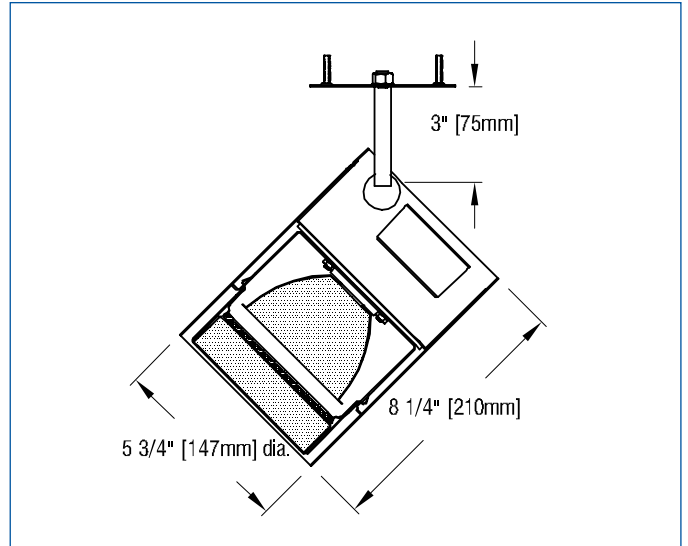
## OPTICAL ACCESSORIES ▼ See next page



## OPTICAL ACCESSORIES

Specify as separate line items; only for use with one of the above.  
All are 4 3/4" (121mm) diameter. Lenses and filters are glass; screens are aluminum.

<b>30° spread lens</b> .....	LENS/4.75-30
<b>20° x 55° spread lens</b> .....	LENS/4.75
<b>70° spread lens</b> .....	LENS/4.75-70
<b>prismatic lens (Solite)</b> .....	PLS/4.75
<b>40° x 70° spread lens</b> .....	LENS/4.75-4070
<b>beam smoother included with fixture</b> .....	CLR/4.75
<b>color filters</b>	
Daylight Blue .....	DAY/4.75
Surprise Pink .....	PNK/4.75
amber .....	AMB/4.75
blue .....	BLU/4.75
green .....	GRN/4.75
red .....	RED/4.75
<b>33% light reduction screen</b> .....	SCR33/4.75
<b>50% light reduction screen</b> .....	SCR50/4.75



## APPLICATIONS

Luminaire is suitable for highlighting vertical or horizontal surfaces, as well as objects in museums, galleries, showrooms, residences, offices and stores.

Luminaire is listed for Damp Location mounting on a standard 4" octagonal outlet box (by others).

– see below for photometric reports –



## PHOTOMETRIC REPORT with 28° reflector (tested per IESNA LM-79-2008)

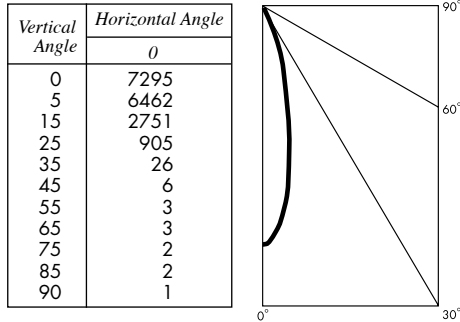
**UL** Verification Services Report No. 1155768. Original test report furnished upon request.

Luminaire ..... surface-mounted LED accent light with a 28° reflector and black lens holder (NO LENS)

Lamp ..... Xicato XTM LED Module, 3000 lumens, 3000K

Lamp Life ..... rated 50.000 hours based on L70/B50 criteria. LM80 report by LED manufacturer furnished upon request

### CANDLEPOWER DISTRIBUTION



### LUMINAIRE LIGHT OUTPUT AND EFFICACY

LED Module Type	Luminaire Light Output	Luminaire Efficacy (lms/watt)	System Wattage
1000 Lumens Artist	589*	42*	14
1400 Lumens Artist	831*	40*	21
2140 Lumens Artist	1246*	48*	26
1500 Lumens standard & Vibrant	893*	50*	18
2100 Lumens standard & Vibrant	1246*	54*	23

\*estimated values

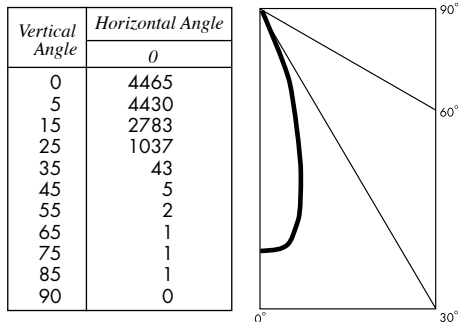
## PHOTOMETRIC REPORT with 43° reflector (tested per IESNA LM-79-2008)

**UL** Verification Services Report No. 1155767. Original test report furnished upon request.

Luminaire ..... surface-mounted LED accent light with a 43° reflector and black lens holder (NO LENS)

Lamp ..... Xicato XTM LED Module, 3000 lumens, 3000K Lamp Life ..... see above

### CANDLEPOWER DISTRIBUTION



### LUMINAIRE LIGHT OUTPUT AND EFFICACY

LED Module Type	Luminaire Light Output	Luminaire Efficacy (lms/watt)	System Wattage
1000 Lumens Artist	558*	40*	14
1400 Lumens Artist	786*	37*	21
2140 Lumens Artist	1180*	45*	26
1500 Lumens standard & Vibrant	845*	47*	18
2100 Lumens standard & Vibrant	1180*	51*	23

\*estimated values

## STANDARD DRIVER INFORMATION (UL Class 2, dry and damp location)

Voltage	120	277
Input Watts (1000A/1400A/2140A/1500/2100 lumens)	14/21/26/18/23	14/21/26/18/23
Input Current(A) (1000A/1400A/2140A/1500/2100 lumens)	.12/.18/.22/.15/.19	.05/.08/.09/.06/.08
Output Current (mA)	500-1050	500-1050
Min. Power Factor	0.90	0.90
Operating Temperature Range (F)	-13 to 122	-13 to 122

## LIGHT OUTPUT MULTIPLIER

LED Module Type	Light Output Multiplier
1000 Lumens Artist	.34*
1400 Lumens Artist	.48*
2140 Lumens Artist	.71*
1500 Lumens standard & Vibrant	.51*
2100 Lumens standard & Vibrant	.71*
3000 Lumens test only	1

\*estimated values