

# MAXIMA™ XTM O-OBM

surface mounted LED cross-baffled accent light



Maxima XTM O-OBM is a surface mounted accent light powered by one of a number of Xicato LED modules – including Artist Series and Vibrant Series modules – all of which are distinguished by extraordinary color consistency (within 1x2-step MacAdam ellipse). See tables on the reverse for wattages and efficacies.

- Luminaire is designed for mounting on a 4" octagonal outlet box (by others).
- Luminaire may be ordered with one of a number of drivers.
- A matte black cross-baffle assembly controls surface brightness and reduces spill light. Lens orientation may be adjusted from below by rotating cross-baffles. The cross-baffle assembly is spring mounted but keyed relative to the fixture housing, to retain lens orientation once set.
- Beam spread is changed by removing the cross-baffle assembly, replacing one 'twist and lock' reflector with another, and re-inserting the cross-baffle assembly. Luminaire is ordered with a single reflector; one or both of the other reflectors may be ordered as accessories.
- A concealed swivel provides 385° horizontal rotation and vertical adjustment from 0° to 90°. The swivel is permanently tensioned, allowing the luminaire to remain fixed at any aiming angle.
- Maxima XTM O-OBM accepts one or two of a number of [Optical Accessories](#), including spread lenses, a beam smoother, color filters and light reduction screens. A complimentary Beam Smoother is included.
- Maxima luminaires have seamless aluminum housings and cast aluminum tops for lightweight durability and heat dissipation. Standard finish is matte white; also available in black and Industrial Silver matte paint finishes.
- For more information, [click here](#).

## PRODUCT CODE

For complete product code, list basic unit and select one item from each following box.

Basic Unit ..... MX-XTM-OB-OX

Beam Spread Reflector (specify one to ship with fixture)

28° narrow flood ..... - 28D  
43° flood ..... - 43D

Finish

white finish: ..... - WH  
black finish: ..... - BL  
Industrial Silver finish: ..... - SI  
custom color paint finish...include paint number or physical chip with order..... - CC

Driver

dimmable to 10% (see Light Output box below) with electronic low voltage (ELV) dimmer on 120-volt service only..... - DME  
dimmable to 5% (see Light Output box below) with either incandescent or electronic low voltage (ELV) dimmer on 120-volt service only ..... - DMP  
dimmable to 10% or 1% (see Light Output box below) with a 0-10V dimmer on 120-volt or 277-volt service ..... - DMV

Dimmable by integral dimmer, see [IDM Maxima LED O-OBM](#)

Light Source Output (Lumens)

1000L /CRI 98 Artist ..... DMP (5%) or DMV (1%) .... L10A  
1400L /CRI 98 Artist ..... DMP (5%) or DMV (1%) .... L14A  
1500L /CRI 80+ Vibrant...3000K only ... DMP (5%) or DMV (1%) .... L15V  
1500L /CRI 80+ ..... DMP (5%) or DMV (1%) ... L15S  
2140L /CRI 98 Artist ..... DME (10%) or DMV (1%) ... L21A  
2100L /CRI 80+ Vibrant...3000K only ... DMP (5%) or DMV (1%) ... L21V  
2100L /CRI CRI 80+ ..... DMP (5%) or DMV (1%) ... L21S

Light Color

2700 K ..... - 27K  
3000 K ..... - 30K  
3500 K ..... - 35K  
4000 K ..... - 40K

## OPTIONS *Specify by adding to the product code.*

a rocker type on/off switch on fixture top, for use on 120-volt service only ..... - SW  
white switch for white fixture, black for Silver or black fixture, specify which for custom color fixture

## EXTRA REFLECTORS *Specify as separate line items.*

28° narrow flood reflector ..... XTM-REF28-111  
43° flood reflector ..... XTM-REF43-111

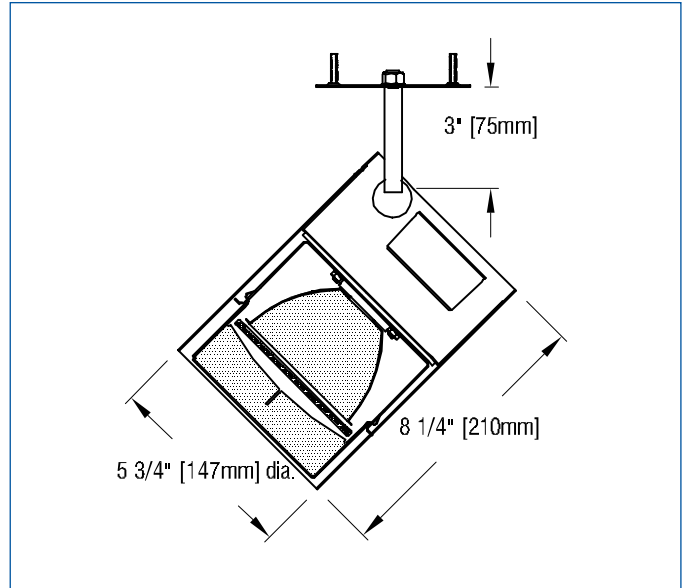
## OPTICAL ACCESSORIES ▼ *See next page*



## OPTICAL ACCESSORIES

Specify as separate line items; only for use with one of the above.  
All are 4 3/4" (121mm) diameter. Lenses and filters are glass; screens are aluminum.

|  |                |
|--|----------------|
| <b>30° spread lens</b> .....                     | LENS/4.75-30   |
| <b>20° x 55° spread lens</b> .....               | LENS/4.75      |
| <b>70° spread lens</b> .....                     | LENS/4.75-70   |
| <b>prismatic lens (Solite)</b> .....             | PLS/4.75       |
| <b>40° x 70° spread lens</b> .....               | LENS/4.75-4070 |
| <b>beam smoother</b> included with fixture ..... | CLR/4.75       |
| <b>color filters</b>                             |                |
| Daylight Blue .....                              | DAY/4.75       |
| Surprise Pink .....                              | PNK/4.75       |
| amber .....                                      | AMB/4.75       |
| blue .....                                       | BLU/4.75       |
| green .....                                      | GRN/4.75       |
| red .....  | RED/4.75       |
| <b>33% light reduction screen</b> .....          | SCR33/4.75     |
| <b>50% light reduction screen</b> .....          | SCR50/4.75     |



## APPLICATIONS

Luminaire is suitable for highlighting vertical or horizontal surfaces, as well as objects in museums, galleries, showrooms, residences, offices and stores.

Luminaire is listed for Damp Location mounting on a standard 4" octagonal outlet box (by others).

– see below for photometric reports –



## PHOTOMETRIC REPORT with 28° reflector (tested per IESNA LM-79-2008)

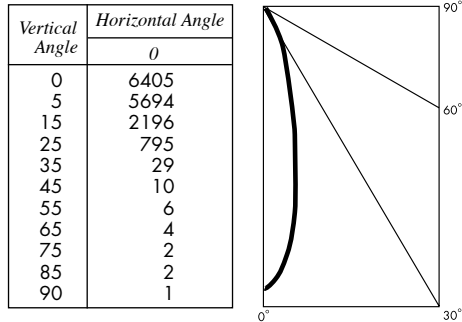
**UL** Verification Services Report No. 1155761. Original test report furnished upon request.

Luminaire ..... surface-mounted LED accent light with a 28° reflector and black cross-baffle (NO LENS)

Lamp ..... Xicato XTM LED Module, 3000 lumens, 3000K

Lamp Life ..... rated 50,000 hours based on L70/B50 criteria. LM80 report by LED manufacturer furnished upon request

### CANDLEPOWER DISTRIBUTION



### LUMINAIRE LIGHT OUTPUT AND EFFICACY

| LED Module Type                | Luminaire Light Output | Luminaire Efficacy (lms/watt) | System Wattage |
|--------------------------------|------------------------|-------------------------------|----------------|
| 1000 Lumens Artist             | 503*                   | 36*                           | 14             |
| 1400 Lumens Artist             | 709*                   | 34*                           | 21             |
| 2140 Lumens Artist             | 1064*                  | 41*                           | 26             |
| 1500 Lumens standard & Vibrant | 762*                   | 42*                           | 18             |
| 2100 Lumens standard & Vibrant | 1064*                  | 46*                           | 23             |

\*estimated values

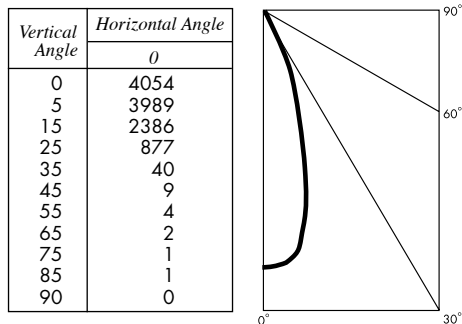
## PHOTOMETRIC REPORT with 43° reflector (tested per IESNA LM-79-2008)

**UL** Verification Services Report No. 1155762. Original test report furnished upon request.

Luminaire ..... surface-mounted LED accent light with a 43° reflector and black cross-baffle (NO LENS)

Lamp ..... Xicato XTM LED Module, 3000 lumens, 3000K      Lamp Life ..... see above

### CANDLEPOWER DISTRIBUTION



### LUMINAIRE LIGHT OUTPUT AND EFFICACY

| LED Module Type                | Luminaire Light Output | Luminaire Efficacy (lms/watt) | System Wattage |
|--------------------------------|------------------------|-------------------------------|----------------|
| 1000 Lumens Artist             | 484*                   | 35*                           | 14             |
| 1400 Lumens Artist             | 682*                   | 32*                           | 21             |
| 2140 Lumens Artist             | 1022*                  | 39*                           | 26             |
| 1500 Lumens standard & Vibrant | 733*                   | 41*                           | 18             |
| 2100 Lumens standard & Vibrant | 1022*                  | 44*                           | 23             |

\*estimated values

## STANDARD DRIVER INFORMATION (UL Class 2, dry and damp location)

| Voltage   | 120                 | 277                 |
|---|---------------------|---------------------|
| Input Watts (1000A/1400A/2140A/1500/2100 lumens)      | 14/21/26/18/23      | 14/21/26/18/23      |
| Input Current(A) (1000A/1400A/2140A/1500/2100 lumens) | .12/.18/.22/.15/.19 | .05/.08/.09/.06/.08 |
| Output Current (mA)                                   | 500-1050            | 500-1050            |
| Min. Power Factor                                     | 0.90                | 0.90                |
| Operating Temperature Range (F)                       | -13 to 122          | -13 to 122          |

## LIGHT OUTPUT MULTIPLIER

| LED Module Type                | Light Output Multiplier |
|--------------------------------|-------------------------|
| 1000 Lumens Artist             | .34*                    |
| 1400 Lumens Artist             | .48*                    |
| 2140 Lumens Artist             | .71*                    |
| 1500 Lumens standard & Vibrant | .51*                    |
| 2100 Lumens standard & Vibrant | .71*                    |
| 3000 Lumens test only          | 1                       |

\*estimated values