

MAXIMA® XTM W-OBM

surface mounted LED wallwasher



MADE IN USA

[Click here!](#)



Maxima XTM W-OBM is a surface mounted wallwasher powered by one of a number of Xicato LED modules – including Artist Series and Vibrant Series modules – all of which are distinguished by extraordinary color consistency (within 1x2-step MacAdam ellipse).

See tables on the reverse for wattages and efficacies.

- Luminaire is designed for mounting on a 4" octagonal outlet box (by others).
- Luminaire may be ordered with one of a number of drivers.
- Luminaire optical assembly consists of an aluminum reflector and a 40° x 70° spread lens. In addition, the assembly can accept one of a number of optional [Optical Accessories](#) including color filters and screens. Assembly is keyed relative to luminaire housing, to retain critical lens orientation.
- A concealed swivel provides 385° horizontal rotation and vertical adjustment from 0° to 90°. The swivel is permanently tensioned, allowing the luminaire to remain fixed at any aiming angle.
- Maxima luminaires have seamless aluminum housings and cast aluminum tops for lightweight durability and heat dissipation. Standard finish is matte white; also available in black and Industrial Silver matte paint finishes.
- For more information, [click here](#).

PRODUCT CODE

For complete product code, list basic unit and select one item from each following box.

Basic Unit	MX-XTM-OB-W
Finish	
white finish:	- WH
black finish:	- BL
Industrial Silver finish:	- SI
custom color paint finish...include paint number or physical chip with order.....	- CC
Driver	
dimmable to 10% (see Light Output box below) with electronic low voltage (ELV) dimmer on 120-volt service only.....	- DME
dimmable to 5% (see Light Output box below) with either incandescent or electronic low voltage (ELV) dimmer on 120-volt service only	- DMP
dimmable to 10% or 1% (see Light Output box below) with a 0-10V dimmer on 120-volt or 277-volt service.....	- DMV
Light Source Output (Lumens)	
1000L /CRI 98 Artist	DMP (5%) or DMV (1%) ...L10A
1400L /CRI 98 Artist.....	DMP (5%) or DMV (1%) ...L14A
1500L /CRI 80+ Vibrant...3000K only ...	DMP (5%) or DMV (1%) ...L15V
1500L /CRI 80+	DMP (5%) or DMV (1%) ...L15S
2140L /CRI 98 Artist	DME (10%) or DMV (1%) ...L21A
2100L /CRI 80+ Vibrant...3000K only ...	DMP (5%) or DMV (1%) ...L21V
2100L /CRI CRI 80+	DMP (5%) or DMV (1%) ...L21S
Light Color	
2700 K.....	- 27K
3000 K.....	- 30K
3500 K	- 35K
4000 K.....	- 40K

OPTIONS *Specify by adding to the product code.*

a rocker type on/off switch on fixture top, for use on 120-volt service only.....	- SW
<i>white switch for white fixture, black for Silver or black fixture, specify which for custom color fixture</i>	

OPTICAL ACCESSORIES

Specify as separate line items; only for use with one of the above.

All are 4 3/4" (121mm) diameter. Lenses and filters are glass; screens are aluminum.

40° x 70° spread lens (included with fixture)	LENS/4.75-4070
color filters	
Daylight Blue	DAY/4.75
Surprise Pink	PNK/4.75
amber	AMB/4.75
blue	BLU/4.75
green	GRN/4.75
red	RED/4.75
33% light reduction screen	SCR33/4.75
50% light reduction screen	SCR50/4.75



41-50 22ND STREET, LIC NY 11101 TEL 718.685.0700 FAX 718.786.8530 www.epl.com


©Copyright, Edison Price Lighting 2019

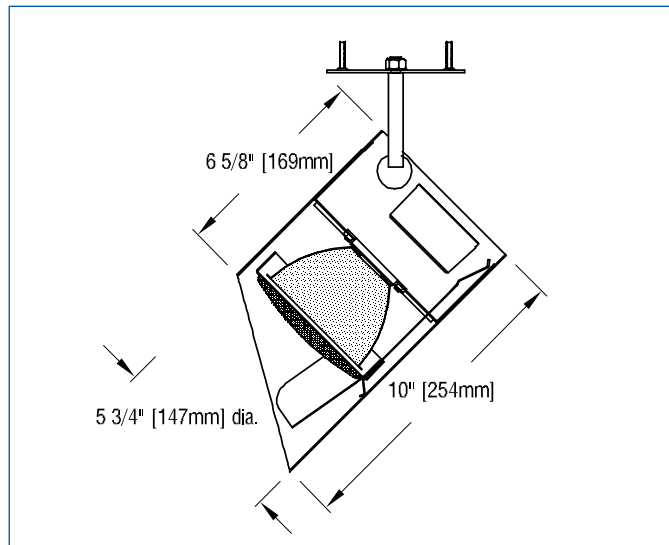
Maxima is a registered trademark of Edison Price Lighting.

LED Q-232 3:19

APPLICATIONS

Luminaire is suitable for highlighting vertical surfaces in museums, galleries, showrooms, residences, offices and stores.

Luminaire is  listed for Damp Location mounting on a standard 4" octagonal outlet box (by others).



– see below for photometric reports –



PHOTOMETRIC REPORT (tested per IESNA LM-79-2008)

Data prorated from Verification Services Report No. 1155760. Original report furnished upon request.

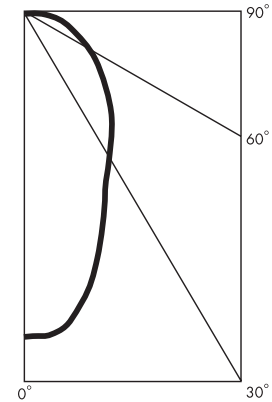
Luminaire surface-mounted LED wallwasher with a 43° internal reflector, a 40° x 70° spread lens and a specular kicker reflector.
 Lamp Xicato LED Module, 3000 lumens, 3000K
 Lamp Life rated 50,000 hours based on L70/B50 criteria. LM80 report by LED manufacturer furnished upon request

WALLWASH INFORMATION

Distance From Ceiling (Feet)	3' From Wall; 3' O.C. (2100 lumens)		3' 6" From Wall; 3' 6" O.C. (2100 lumens)		4' From Wall; 4' O.C. (3000 lumens)	
	Below Fixture	Between Fixtures	Below Fixture	Between Fixtures	Below Fixture	Between Fixtures
1	28	26	22	21	20	19
2	40	35	29	26	26	24
3	38	36	30	28	29	27
4	32	31	27	26	28	27
5	26	26	23	23	25	24
6	22	21	20	19	21	21
7	18	17	16	16	18	18
8	14	14	14	13	16	16
9	11	11	11	11	14	13
10	9	9	9	9	12	11
11	7	7	8	7	10	10
12	6	6	6	6	9	8
13					7	7
14					6	6
15					5	5

This table lists initial illuminance values at the center of a row of at least 5 fixtures with no contribution from ceiling or floor reflectance. Fixtures were modeled with maximum candlepower at 15° above vertical.

CANDLEPOWER DISTRIBUTION



STANDARD DRIVER INFORMATION UL Class 2, dry and damp location

Voltage	120	277
Input Watts (1000A/1400A/2140A/1500/2100 lumens)	14/21/26/18/23	14/21/26/18/23
Input Current (A) (1000A/1400A/2140A/1500/2100 lumens)	.12/.18/.22/.15/.19	.05/.08/.09/.06/.08
Output Current (mA)	500/1050	500/1050
Min. Power Factor	>0.99	>0.99
Operating Temperature Range (F)	-13 to 122	-13 to 122

LIGHT OUTPUT MULTIPLIER

LED Module Type	Luminaire Output Multiplier
1000 Lumens Artist	.34*
1400 Lumens Artist	.48*
2140 Lumens Artist	.71*
1500 Lumens standard & Vibrant	.51*
2100 Lumens standard & Vibrant	.71*
3000 Lumens test only	1

*estimated values

LUMINAIRE LIGHT OUTPUT AND EFFICACY

LED Module Type	Luminaire Light Output	Luminaire Efficacy (lumens/watt)	System Wattage
1000 Lumens Artist	550*	39*	14
1400 Lumens Artist	775*	37*	21
2140 Lumens Artist	1162*	45*	26
1500 Lumens standard & Vibrant	833*	46*	18
2100 Lumens standard & Vibrant	1162*	51*	23

*estimated values