

Project

Date

Product Code

# MAXIMA® XTM NSP

track mounted LED ring-baffled spotlight

Type

Designer



Maxima XTM NSP is a track mounted 13° or 28° spotlight powered by one of a number of Xicato 19mm LED modules – including Artist Series and Vibrant Series modules – all of which are distinguished by extraordinary color consistency (within 1x2-step MacAdam ellipse). See tables on the reverse for wattages and efficacies.

- Luminaire may be configured to mount to any of eighteen 20-amp, 120-volt [track systems](#) – or – to any of six 277-volt track systems.
- Luminaire may be ordered with one of a number of drivers.
- Optical assembly consists of an integral reflector and a matte black concentric ring baffle which increases beam control, eliminates spill light and minimizes glare. Clips accept one or two of a number of [Optical Accessories](#) including spread lenses, a beam smoother, color filters and light reduction screens.
- Beam spread may be changed by removing the ring baffle, replacing one 'twist an lock' [reflector](#) with the other, and re-inserting the ring baffle. Luminaire is ordered with a single reflector; the other reflector may be ordered as an accessory.
- A concealed swivel provides 385° horizontal rotation and vertical adjustment from 0° to 90°. The swivel is permanently tensioned, allowing the luminaire to remain fixed at any aiming angle.
- Maxima luminaires have seamless aluminum housings and cast aluminum tops for lightweight durability and heat dissipation.
- For more information, [click here](#).

For an outlet box mounted model; see [Maxima XTM NSP-OBM](#)

## PRODUCT CODE

For complete product code, list basic unit and select one item from each following box.

<b>Basic Unit</b> .....	MX-XTM-OG	
<b>Track Configuration</b>		
120-volt track (e.g. SightLine) .....	- 2C	
277-volt track (e.g. HighLine) .....	- HC	
<b>Beam Spread Reflector</b> (specify one to ship with fixture)		
13° narrow spot .....	- 13D	
28° spot .....	- 28D	
<b>Finish</b>		
white paint finish .....	- WH	
black paint finish .....	- BL	
Industrial Silver paint finish .....	- SI	
custom color paint finish... include paint number or physical chip with order ...	- CC	
<b>Driver</b>		
dimmable to 10% (see Light Output box below) with electronic low voltage (ELV) dimmer on 120-volt track .....		
	- DME	
dimmable to 5% (see Light Output box below) with either incandescent or electronic low voltage (ELV) dimmer on 120-volt track .....		
	- DMP	
non dimmable the only choice for 277-volt track; may be selected for 120-volt track as well .....		
	- UNV	
For a model with an integral dimmer; see <a href="#">IDM Maxima XTM NSP</a>		
<b>Light Source Output</b>		
1000 lumens / CRI 98 Artist .....	DMP [ 5% ] .....	- L10A
1400 lumens .....	DMP [ 5% ] .....	- L14A
2100 lumens .....	DME [ 10% ] .....	- L21A
1500 lumens / CRI 80+ standard .....	DMP [ 5% ] .....	- L15S
2100 lumens .....	DMP [ 5% ] .....	- L21S
1500 lumens / CRI 80+ Vibrant .....	3000K only... DMP [ 5% ] .....	- L15V
2100 lumens .....	3000K only... DMP [ 5% ] .....	- L21V
<b>Light Color</b>		
2700 K .....	- 27K	
3000 K .....	- 30K	
3500 K .....	- 35K	
4000 K .....	- 40K	

## OPTIONS

Specify by adding to the product code.

a rocker type <b>on/off switch</b> on fixture top, for use on 120-volt track only .....	- SW
white switch for white fixture, black for Silver or black fixture, specify which for custom color fixture	

► For luminaires modified for 50A or 60A track systems, contact factory.

## EXTRA REFLECTORS

Specify as separate line items.

13° spot reflector .....	XTM-REF13-111
28° narrow flood reflector .....	XTM-REF28-111

## OPTICAL ACCESSORIES

▼ See next page

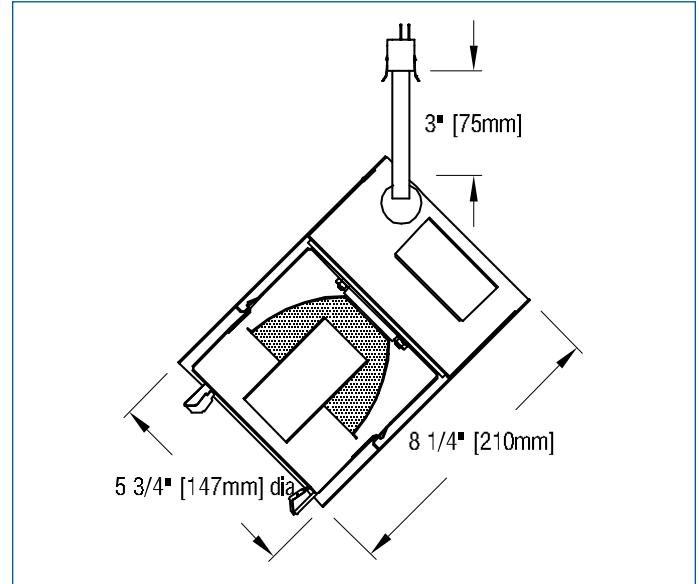


## OPTICAL ACCESSORIES

Specify as separate items

All are 4 3/4" (121mm) diameter. Lenses and filters are glass; screens are aluminum.

<b>30° spread lens</b> .....	LENS/4.75-30
<b>20° x 55° spread lens</b> .....	LENS/4.75
<b>70° spread lens</b> .....	LENS/4.75-70
<b>prismatic lens (Solite)</b> .....	PLS/4.75
<b>40° x 70° spread lens</b> .....	LENS/4.75-4070
<b>beam smoother</b> .....	CLR/4.75
<b>color filters</b>	
Daylight Blue .....	DAY/4.75
Surprise Pink .....	PNK/4.75
amber .....	AMB/4.75
blue .....	BLU/4.75
green .....	GRN/4.75
red .....	RED/4.75
<b>33% light reduction screen</b> .....	SCR33/4.75
<b>50% light reduction screen</b> .....	SCR50/4.75



## APPLICATIONS

Luminaire is suitable for highlighting vertical or horizontal surfaces, as well as objects in museums, galleries, showrooms, residences, offices and stores.

Luminaire is listed for mounting on Edison Price Lighting 120-volt or 277-volt track.

– see below for photometric reports –



## PHOTOMETRIC REPORT with 13° reflector (tested per IESNA LM-79-2008)

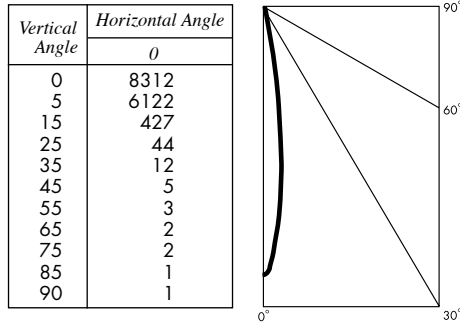
**UL** Verification Services Report No. 1155765. Original test report furnished upon request.

Luminaire ..... track-mounted LED accent light with a 13° reflector and black ring baffle (NO LENS)

Lamp ..... Xicato XTM LED Module, 3000 lumens, 3000K

Lamp Life ..... rated 50,000 hours based on L70/B50 criteria. LM80 report by LED manufacturer furnished upon request

### CANDLEPOWER DISTRIBUTION



### LUMINAIRE LIGHT OUTPUT AND EFFICACY

LED Module Type	Luminaire Light Output	Luminaire CBCP	Luminaire Efficacy (lms/watt)	System Wattage
1000 Lumens Artist	231*	2807*	16*	14
1400 Lumens Artist	325*	3957*	15*	21
2140 Lumens Artist	488*	5935*	19*	26
1500 Lumens standard & Vibrant	349*	4252*	19*	18
2100 Lumens standard & Vibrant	488*	5935*	21*	23

\*estimated values

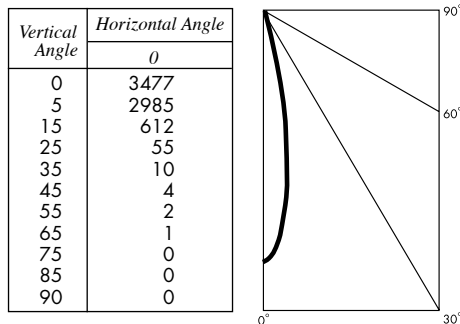
## PHOTOMETRIC REPORT with 28° reflector (tested per IESNA LM-79-2008)

**UL** Verification Services Report No. 1155764. Original test report furnished upon request.

Luminaire ..... track-mounted LED accent light with a 28° reflector and black ring baffle (NO LENS)

Lamp ..... Xicato XTM LED Module, 3000 lumens, 3000K      Lamp Life ..... see above

### CANDLEPOWER DISTRIBUTION



### LUMINAIRE LIGHT OUTPUT AND EFFICACY

LED Module Type	Luminaire Light Output	Luminaire CBCP	Luminaire Efficacy (lms/watt)	System Wattage
1000 Lumens Artist	161*	1174*	12*	14
1400 Lumens Artist	227*	1655*	11*	21
2140 Lumens Artist	341*	2483*	13*	26
1500 Lumens standard & Vibrant	244*	1779*	14*	18
2100 Lumens standard & Vibrant	341*	2483*	15*	23

\*estimated values

## STANDARD DRIVER INFORMATION (UL Class 2, dry and damp location)

Voltage	120	277
Input Watts (1000A/1400A/2140A/1500/2100 lumens)	14/21/26/18/23	14/21/26/18/23
Input Current(A) (1000A/1400A/2140A/1500/2100 lumens)	.12/.18/.22/.15/.19	.05/.08/.09/.06/.08
Output Current (mA)	500-1050	500-1050
Min. Power Factor	0.90	0.90
Operating Temperature Range (F)	-13 to 122	-13 to 122

## LIGHT OUTPUT MULTIPLIER

LED Module Type	Light Output Multiplier
1000 Lumens Artist	.34*
1400 Lumens Artist	.48*
2140 Lumens Artist	.71*
1500 Lumens standard & Vibrant	.51*
2100 Lumens standard & Vibrant	.71*
3000 Lumens test only	1

\*estimated values