

Project

Date Product Code

Type

Designer



MAXIMA[®] XTM O

track mounted LED accent light



Maxima XTM O is a track mounted accent light powered by one of a number of Xicato LED modules – including Artist Series and Vibrant Series modules – all of which are distinguished by extraordinary color consistency (within 1x2-step MacAdam ellipse). See tables on the reverse for wattages and efficacies.

- Luminaire may be configured to mount to any of eighteen 20-amp, 120-volt [track systems](#) – or – to any of six 277-volt track systems.
- Fixture function can be changed with your choice of Aperture Assembly and your choice of 'twist and lock' [reflector](#).
- Aperture Assembly / Reflector choices
 - Cross Baffle (OX) for enhanced glare control ; for use with interchangeable 20°, 40° and 60° reflectors.
 - Open Aperture (OH) for maximum efficacy; for use with interchangeable 20°, 40° and 60° reflectors.
 Fixture is ordered with a single Aperture Assembly and a single reflector. Additional aperture assemblies and reflectors may be ordered as accessories.
- **Optical Accessories:** Both OX and OH Aperture Assemblies accept one or two of a number of spread lenses or color filters. With the OX assembly lens orientation may be adjusted by rotating the cross baffle. A complimentary beam smoother is included with either assembly.
- A concealed swivel provides 385° horizontal rotation and vertical adjustment from 0° to 90°. The swivel is permanently tensioned, allowing the luminaire to remain fixed at any aiming angle.
- Maxima luminaires have seamless aluminum housings and cast aluminum tops for lightweight durability and heat dissipation.
- For more information, [click here](#).

For an outlet box mounted model, see [Maxima XTM O-OBM](#)

PRODUCT CODE

For complete product code, list basic unit and select one item from each following box.

Basic Unit	MX-XTM	
Track Configuration		
120-volt track (e.g. SightLine)	- 2C	
277-volt track (e.g. HighLine)	- HC	
Aperture Assembly		
Cross Baffle	- OX	
Open Aperture	- OH	
Beam Spread Reflector (specify one to ship with fixture)		
28° narrow flood.....	- 28D	
43° wide flood.....	- 43D	
Finish		
white paint finish	- WH	
black paint finish	- BL	
Industrial Silver paint finish	- SI	
custom color paint finish... include paint number or physical chip with order ...	- CC	
Driver		
dimmable to 10% (see Light Output box below) with electronic low voltage (ELV) dimmer on 120-volt track	- DME	
dimmable to 5% (see Light Output box below) with either incandescent or electronic low voltage (ELV) dimmer on 120-volt track	- DMP	
non dimmable: the only choice for 277-volt track; may be selected for 120-volt track as well.....	- UNV	
For a model with an integral dimmer; see IDM Maxima XTM O		
Light Source Output		
1000 lumens / CRI 98 Artist	DMP [5%]	- L10A
1400 lumens	DMP [5%]	- L14A
2100 lumens	DME [10%]	- L21A
1500 lumens / CRI 80+ standard.....	DMP [5%]	- L15S
2100 lumens	DMP [5%]	- L21S
1500 lumens / CRI 80+ Vibrant.....	3000K only... DMP [5%]	- L15V
2100 lumens	3000K only... DMP [5%]	- L21V
Light Color		
2700 K	- 27K	
3000 K	- 30K	
3500 K	- 35K	
4000 K	- 40K	

OPTIONS Specify by adding to the product code.

a rocker type on/off switch on fixture top, for use on 120-volt track only.....	- SW
white switch for white fixture, black for Silver or black fixture, specify which for custom color fixture	

EXTRA APERTURES & REFLECTORS

Specify as separate line items.

Aperture Assembly	
Cross Baffle	RK-MX-OX
Open Aperture	RK-MX-OH
Reflector	
28° narrow flood	RK-MX-XTM-REF-D28D
43° flood.....	RK-MX-XTM-REF-D43D

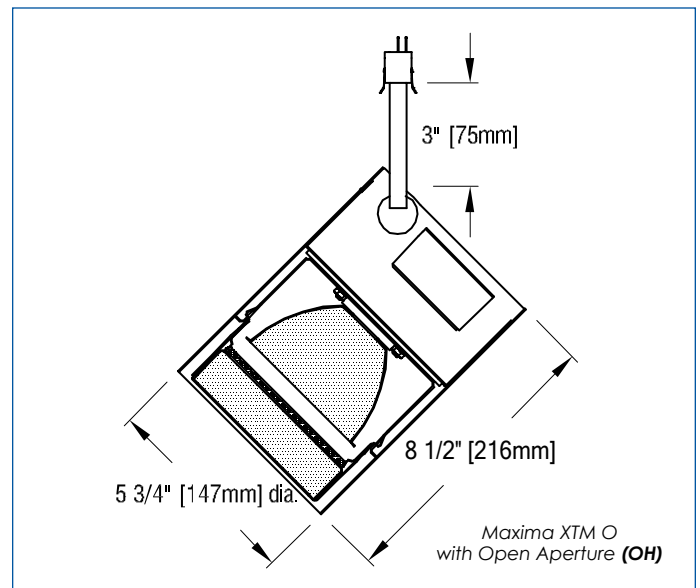
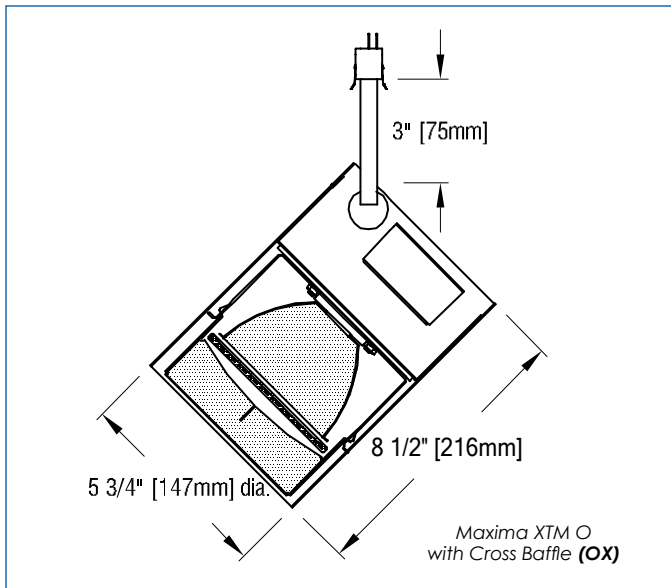
OPTICAL ACCESSORIES ▼ See next page



OPTICAL ACCESSORIES

Specify as separate line items; only for use with one of the above.
All are 4 3/4" (121mm) diameter. Lenses and filters are glass; screens are aluminum.

30° spread lens	LENS/4.75-30
20° x 55° spread lens	LENS/4.75
70° spread lens	LENS/4.75-70
prismatic lens (Solite)	PLS/4.75
40° x 70° spread lens	LENS/4.75-4070
beam smoother included with fixture	CLR/4.75
color filters	
Daylight Blue	DAY/4.75
Surprise Pink	PNK/4.75
amber	AMB/4.75
blue	BLU/4.75
green	GRN/4.75
red	RED/4.75
33% light reduction screen	SCR33/4.75
50% light reduction screen	SCR50/4.75



APPLICATIONS

Luminaire is suitable for highlighting vertical or horizontal surfaces, as well as objects in museums, galleries, showrooms, residences, offices and stores.

Luminaire is listed for mounting on Edison Price Lighting 120-volt or 277-volt track.

– see below for photometric reports –



PHOTOMETRIC REPORT with 28° reflector (tested per IESNA LM-79-2008)



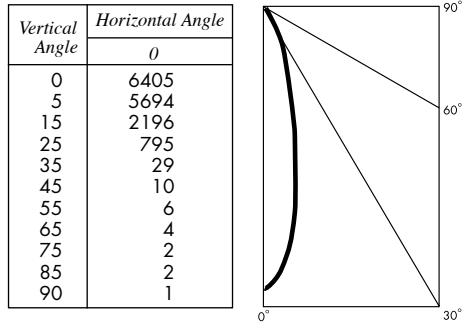
UL Verification Services Report No. 1155761. Original test report furnished upon request.

Luminaire track-mounted LED accent light with a 28° reflector and black cross-baffle (NO LENS)

Lamp Xicato XTM LED Module, 3000 lumens, 3000K

Lamp Life rated 50,000 hours based on L70/B50 criteria. LM80 report by LED manufacturer furnished upon request

CANDLEPOWER DISTRIBUTION



LUMINAIRE LIGHT OUTPUT AND EFFICACY

LED Module Type	Luminaire Light Output	Luminaire Efficacy (lms/watt)	System Wattage
1000 Lumens Artist	503*	36*	14
1400 Lumens Artist	709*	34*	21
2140 Lumens Artist	1064*	41*	26
1500 Lumens standard & Vibrant	762*	42*	18
2100 Lumens standard & Vibrant	1064*	46*	23

*estimated values

PHOTOMETRIC REPORT with 43° reflector (tested per IESNA LM-79-2008)

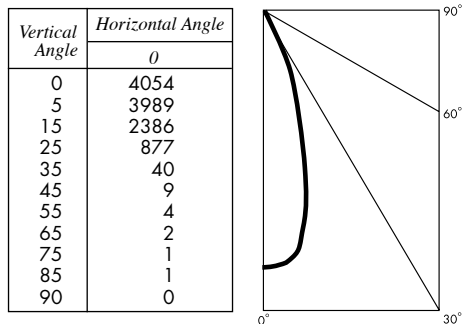


UL Verification Services Report No. 1155762. Original test report furnished upon request.

Luminaire track-mounted LED accent light with a 43° reflector and black cross-baffle (NO LENS)

Lamp Xicato XTM LED Module, 3000 lumens, 3000K Lamp Life see above

CANDLEPOWER DISTRIBUTION



LUMINAIRE LIGHT OUTPUT AND EFFICACY

LED Module Type	Luminaire Light Output	Luminaire Efficacy (lms/watt)	System Wattage
1000 Lumens Artist	484*	35*	14
1400 Lumens Artist	682*	32*	21
2140 Lumens Artist	1022*	39*	26
1500 Lumens standard & Vibrant	733*	41*	18
2100 Lumens standard & Vibrant	1022*	44*	23

*estimated values

STANDARD DRIVER INFORMATION (UL Class 2, dry and damp location)

Voltage	120	277
Input Watts (1000A/1400A/2140A/1500/2100 lumens)	14/21/26/18/23	14/21/26/18/23
Input Current(A) (1000A/1400A/2140A/1500/2100 lumens)	.12/.18/.22/.15/.19	.05/.08/.09/.06/.08
Output Current (mA)	500-1050	500-1050
Min. Power Factor	0.90	0.90
Operating Temperature Range (F)	-13 to 122	-13 to 122

LIGHT OUTPUT MULTIPLIER

LED Module Type	Light Output Multiplier
1000 Lumens Artist	.34*
1400 Lumens Artist	.48*
2140 Lumens Artist	.71*
1500 Lumens standard & Vibrant	.51*
2100 Lumens standard & Vibrant	.71*
3000 Lumens test only	1

*estimated values

PHOTOMETRIC REPORT with 28° reflector (tested per IESNA LM-79-2008)



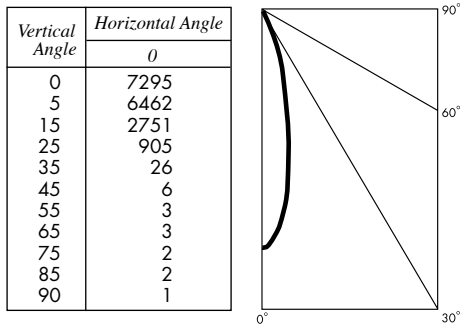
UL Verification Services Report No. 1155768. Original test report furnished upon request.

Luminaire track-mounted LED accent light with a 28° reflector and black lens holder (NO LENS)

Lamp Xicato XTM LED Module, 3000 lumens, 3000K

Lamp Life rated 50.000 hours based on L70/B50 criteria. LM80 report by LED manufacturer furnished upon request

CANDLEPOWER DISTRIBUTION



LUMINAIRE LIGHT OUTPUT AND EFFICACY

LED Module Type	Luminaire Light Output	Luminaire Efficacy (lms/watt)	System Wattage
1000 Lumens Artist	589*	42*	14
1400 Lumens Artist	831*	40*	21
2140 Lumens Artist	1246*	48*	26
1500 Lumens standard & Vibrant	893*	50*	18
2100 Lumens standard & Vibrant	1246*	54*	23

*estimated values

PHOTOMETRIC REPORT with 43° reflector (tested per IESNA LM-79-2008)



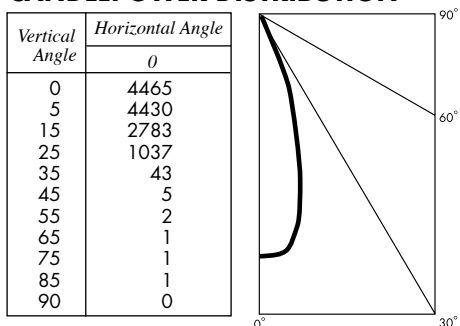
UL Verification Services Report No. 1155767. Original test report furnished upon request.

Luminaire track-mounted LED accent light with a 43° reflector and black lens holder (NO LENS)

Lamp Xicato XTM LED Module, 3000 lumens, 3000K

Lamp Life see above

CANDLEPOWER DISTRIBUTION



LUMINAIRE LIGHT OUTPUT AND EFFICACY

LED Module Type	Luminaire Light Output	Luminaire Efficacy (lms/watt)	System Wattage
1000 Lumens Artist	558*	40*	14
1400 Lumens Artist	786*	37*	21
2140 Lumens Artist	1180*	45*	26
1500 Lumens standard & Vibrant	845*	47*	18
2100 Lumens standard & Vibrant	1180*	51*	23

*estimated values

STANDARD DRIVER INFORMATION (UL Class 2, dry and damp location)

Voltage	120	277
Input Watts (1000A/1400A/2140A/1500/2100 lumens)	14/21/26/18/23	14/21/26/18/23
Input Current(A) (1000A/1400A/2140A/1500/2100 lumens)	.12/.18/.22/.15/.19	.05/.08/.09/.06/.08
Output Current (mA)	500-1050	500-1050
Min. Power Factor	0.90	0.90
Operating Temperature Range (F)	-13 to 122	-13 to 122

LIGHT OUTPUT MULTIPLIER

LED Module Type	Light Output Multiplier
1000 Lumens Artist	.34*
1400 Lumens Artist	.48*
2140 Lumens Artist	.71*
1500 Lumens standard & Vibrant	.51*
2100 Lumens standard & Vibrant	.71*
3000 Lumens test only	1

*estimated values