

Project

Date

Product Code

Type

Designer



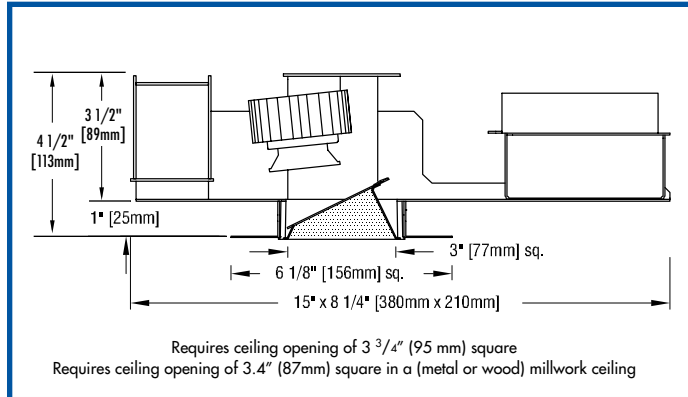
MADE IN USA

[Click Here](#)

# PRIM SQUARE WL/3

recessed square trimless LED wallwasher

PRECISE OPTICS - PRECISE OPTICS - PRECISE OPTICS - PRECISE OPTICS - PRECISE OPTICS - PRECISE OPTICS - PRECISE OPTICS

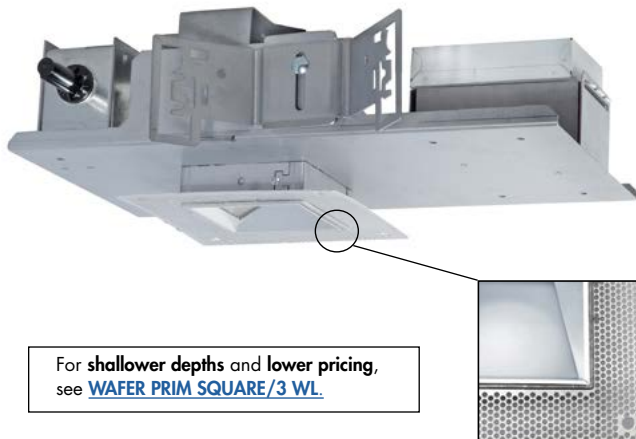


## FEATURES

- **PRIM SQUARE WL/3 is a 3" trimless square LED wallwasher.** Luminaire is powered by one of a number of Xicato XTM (19mm) LED modules, distinguished by extraordinary color consistency (within 1x2-step MacAdam ellipse). See below for wattages and efficacies.
- **Luminaire is designed for installation in sheet rock** to achieve a flush trim detail. Installation includes the application of drywall compound over the luminaire's integral spackle screen to the rim of its integral plaster ring.
- **Luminaire overall depth is 4 1/2"** (housing depth of 3 1/2" plus a 1" throat).
- **Precise reflector design provides uniform illumination** on vertical surfaces up to the ceiling line. The optical assembly consists of an internal reflector and a diffuser mounted atop an external reflector trim. Heat sink/LED/internal reflector assembly is capable of full circle horizontal rotation.
- **External reflectors are available in two clear natural aluminum finishes** – slightly diffuse (V) or fully diffuse (EC) – as well as black and white.
- **Housing is constructed from 14-gauge and 16-gauge electro-zinc steel** in Edison Price Lighting's American factory. Heavy-gauge metals and American manufacturing guarantee long-lasting durability.
- **Luminaire includes a pair of 3/4" x 27" C channel mounting bars.** Specialty bars for wood joist and T-bar installations are also available.
- **For more information, [click here](#).**

## APPLICATIONS

Fixture is listed for Damp Location. Fixture is prewired with thermal protector and approved for eight #12 wire 90° branch circuit pull-through wiring. Removal of the external reflector trim allows access to the LED module and junction box.



For shallower depths and lower pricing, see [WAFFER PRIM SQUARE/3 WL](#).

## PRODUCT CODE

For complete product code, list basic unit and select one item from each following box.

<b>Basic Unit</b> .....	P3-XTM-WL
<b>Driver</b>	
dimmable to 1% by a 0-10V dimmer on 120 or 277-volt service .....	- DMV
dimmable to 5% or 10% (see Lumen Source Output box below) by either an incandescent or ELV dimmer; 120-volt service only .....	- DMP
eldoLED 0-10V (Logarithmic) driver dimmable to 0.1% with a 0-10V dimmer on 120 or 277-volt service .....	- DVOELG
eldoLED 0-10V (Linear) driver dimmable to 0.1% with a 0-10V dimmer on 120 or 277-volt service .....	- DVOELN
eldoLED driver dimmable to 0.1%, compatible with DALI control system .....	- DAO-EL
Moons' driver dimmable to 0.1%, compatible with DMX controllers .....	- DX0

<b>Light Source Output (Lumens) Choose one.</b>	
700L / CRI 98 Artist.....	DMP(10%)..... - L07A
1000L / CRI 98 .....	DMP( 5% )..... - L10A
1400L / CRI 98 .....	DMP( 5% )..... - L14A
1000L / CRI 90 Designer.....	DMP( 5% )..... - L10H
1300L / CRI 90.....	DMP( 5% )..... - L13H
1600L / CRI 90 .....	DMP( 5% )..... - L16H
1000L / CRI 80+ Vibrant.....	DMP(10%)..... - L10V
1300L / CRI 80+ .....	DMP(10%)..... - L13V
1600L / CRI 80+ .....	DMP( 5% )..... - L16V
1000L / CRI 80+ standard.....	DMP(10%)..... - L10S
1300L / CRI 80+ .....	DMP(10%)..... - L13S
1600L / CRI 80+ .....	DMP( 5% )..... - L16S
<b>Vibrant available in 3000K only Designer available in 2700K and 3000K</b>	

<b>Light Color</b>	
2700 K.....	- 27K
3000 K.....	- 30K
3500 K.....	- 35K
4000 K.....	- 40K

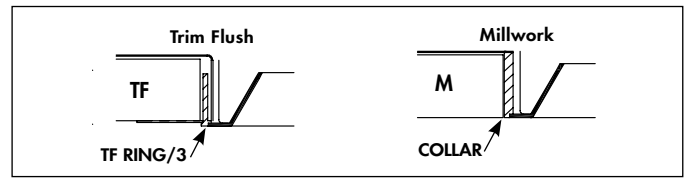
<b>Voltage</b>	
120 volt service .....	- 120
277 volt service .....	- 277

<b>External Reflector Color</b>	
Slightly diffuse Clear .....	VTL
Fully diffuse Clear .....	ECTL
Black.....	BTL
White.....	WTL

## OPTIONS Specify by adding to the basic unit.

<b>Millwork trim detail</b> consists of an aperture collar (see below) and an external reflector (see above).	
milled aluminum aperture collar.....	- M
white aperture collar.....	- MWH
black aperture collar.....	- MBL
custom color aperture collar .....	- MCC

## EXTERNAL REFLECTOR TRIMS



## PHOTOMETRIC REPORT (tested per IESNA LM-79-2008)

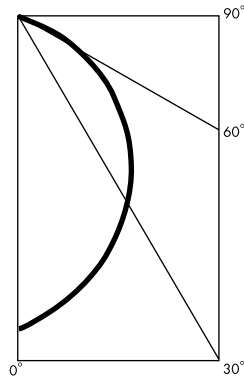
Verification Services Report No. 11729420.01 . Original test report furnished upon request.

Luminaire ..... recessed LED square lensed wallwasher with semi-specular clear aluminum reflector  
 Light Source ..... one white Xicato XTM 19mm LES LED, 3000K CCT, 80 CRI, 1600 lumens  
 Lamp Life ..... rated 50,000 hours based on L70/B50 criteria. LM80 report by LED manufacturer furnished upon request

### WALLWASH INFORMATION

Distance From Ceiling (Feet)	3' From Wall; 3' O.C. 1600 lumens LED		3' 6" From Wall; 3' 6" O.C. 1600 lumens LED	
	Between Fixture	Between Fixtures	Between Fixture	Between Fixtures
1	8	6	5	4
2	20	18	13	12
3	21	20	16	15
4	18	18	15	14
5	15	14	13	12
6	11	12	10	10
7	9	9	8	8
8	7	7	7	7
9	6	6	6	5
10	5	5	5	4

### CANDLEPOWER DISTRIBUTION



### STANDARD DMV DRIVER INFORMATION (UL Class 2, dry and damp location)

Voltage	120	277
Input Watts (L07A/L10A/L14A/L10H/L13H/16H/L10S&V/L13S&V/L16S&V)	10/13/16/12/16/16/10/14/16	10/13/16/12/16/16/10/14/16
Input Current (A) (L07A/L10A/L14A/L10H/L13H/16H/L10S&V/L13S&V/L16S&V)	.08/11/13/10/13/13/08/12/13	.04/05/06/04/06/06/04/05/06
Output Current (mA)	350-700	350-700
Min. Power Factor	.99	.99
Operating Temperature Range (F)	-13 to 122	-13 to 122

### REFLECTOR COLOR MULTIPLIERS

Slightly diffuse clear (V)	1
Fully diffuse clear (EC)	.90
Champagne gold clear (G)	1
Specular White	.70
Black (B)	.80

### LUMINAIRE LIGHT OUTPUT AND EFFICACY

LED Light Engine	Luminaire Light Output	Luminaire Efficacy (lms/watt)	System Wattage
700 Lumens Artist	334*	33*	10
1000 Lumens Artist	447*	34*	13
1400 Lumens Artist	627*	39*	16
1000 Lumens Designer	447*	37*	12
1300 Lumens Designer	603*	38*	16
1600 Lumens Designer	735*	45*	16
1000 Lumens standard & Vibrant	447*	45*	10
1300 Lumens standard & Vibrant	603*	43*	14
1600 Lumens standard & Vibrant	735	45	16

\*estimated values

### LIGHT OUTPUT MULTIPLIER

LED Light Engine	Light Output Multiplier
700 Lumens Artist	0.45*
1000 Lumens Artist	0.61*
1400 Lumens Artist	0.85*
1000 Lumens Designer	0.61*
1300 Lumens Designer	0.82*
1600 Lumens Designer	1*
1000 Lumens standard & Vibrant	0.61*
1300 Lumens standard & Vibrant	0.82
1600 Lumens standard & Vibrant	1

\*estimated values