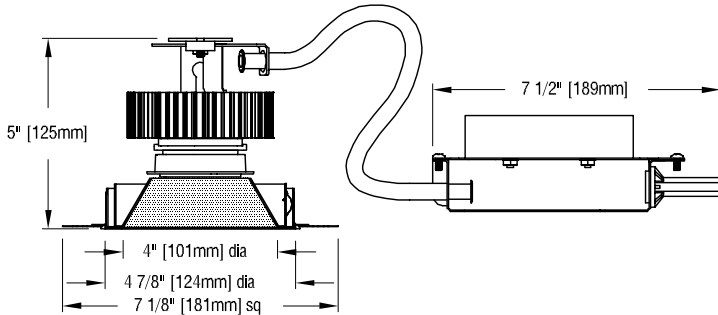


# PRESTINA WAFER/4 DL

recessed shallow LED downlight trim flush remodeler

**HIGH EFFICACY - HIGH EFFICACY - HIGH EFFICACY - HIGH EFFICACY - HIGH EFFICACY - HIGH EFFICACY - HIGH EFFICACY**



## FEATURES

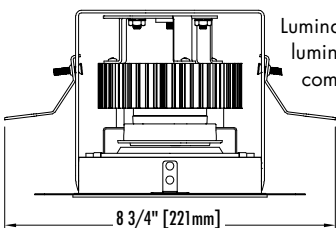
- Prestina Wafer/4 DL is a 4" diameter aperture, high efficacy, LED remodeler downlight with an overall depth of 5".
- Luminaire is designed for installation from below in a sheet rock ceiling to achieve a flush reflector trim detail. Installation includes the application of drywall compound over the integral spackle screen to the rim of the integral plaster ring.
- Luminaire employs an internal 'twist and lock' lens to produce an initial beam-spread of either 32° or 60°. To allow beam-spread to be changed in installed luminaires, internal lenses are available as accessories.
- Luminaire may be ordered standard (- DL) for maximum efficacy and spacing ratio - or - with a plastic diffuser (- DG), mounted atop reflector, to maximize beam uniformity and obscure appearance of LED.
- Luminaire is powered by one of a number of Cree Chip on board LEDs. See below for wattages and efficacies.
- External reflectors are available in three clear natural aluminum colors – semi-specular (C), slightly diffuse (V) or fully diffuse (EC) – as well as champagne gold, black Alzak® and specular white enamel. Other finishes are available on special order.
- For more information, [click here](#).



## APPLICATIONS

Installation locations should offer the following conditions:

- ceiling material 2" or less thick capable of supporting 16 pounds
- recess depth of at least 5"
- plenum free of joists or obstructions for at least 12" from center along one side (to accommodate junction box).



Luminaire is listed as an inherently protected luminaire for Damp Location. Luminaire is RoHS compliant. Removal of the external reflector allows access to the LED module and junction box.

Overlap trim model, see [PRESTO WAFER/4 DL](#)  
 Standard recessed, see [WAFER/4 DL](#)  
 IC-rated, see [EPIC WAFER/4 DL](#)

## PRODUCT CODE

For complete product code, list basic unit and select one item from each following box.

<b>Basic Unit</b>	
no diffuser .....	PST-CLT-4-DL-TFR
with diffuser .....	PST-CLT-4-DG-TFR

<b>Internal Lens</b> <i>Choose one.</i>	
32° initial beamspread .....	- 32D
60° initial beamspread .....	- 60D

<b>Light Source Output</b> (Lumens)	
800 lumens / CRI 90+ ..... 2700K & 3000K only .....	- L08H
1000 lumens ..... 2700K & 3000K only .....	- L10H
1200 lumens ..... 2700K & 3000K only .....	- L12H
1500 lumens ..... 2700K & 3000K only .....	- L15H
1000 lumens / CRI 80+ .....	- L10S
1200 lumens .....	- L12S
1500 lumens .....	- L15S
1800 lumens .....	- L18S

<b>Driver</b>	
dimmmable to 1% by a 0-10V dimmer on 120 Or 277-volt service .....	- DMV
dimmmable to 5% by either an incandescent or electronic low voltage dimmer only; 120-volt service only .....	- DMP
dimmmable to 1% by a 2-wire Lutron compatible dimmer .....	- DMILU
dimmmable to 1% SoftOn/FadeToBlack by a Lutron EcoSystem control .....	- ECO-LU
eldoLED 0-10V (Logarithmic) driver dimmmable to 0.1% with a 0-10V dimmer .....	- DV0ELG
eldoLED 0-10V (Linear) driver dimmmable to 0.1% with a 0-10V dimmer .....	- DV0ELN
dimmmable to 0.1% by a Zigbee wireless network (Daintree, Encelium or Wink); wireless range 50' through standard walls; available with four models only (see box above) .....	- ZGOMAG

<b>Light Color</b>	
2700 K .....	- 27K
3000 K .....	- 30K
3500 K .....	- 35K
4000 K .....	- 40K

External Reflector Color & Trim	DL Model (no diffuser)	DG Model (with diffuser)
Semi-specular Clear	DL-CTF	DG-CTF
Slightly diffuse Clear	DL-VTF	DG-VTF
Fully diffuse Clear	DL-ECTF	DG-ECTF
Champagne Gold	DL-GTF	DG-GTF
Black	DL-BTF	DG-BTF
White	DL-WTF	DG-WTF

## EXTRA INTERNAL LENSES *Specify as separate line items.*

<b>32° internal lens</b> .....	CLT-LENS32-70
<b>60° internal lens</b> .....	CLT-LENS60-70

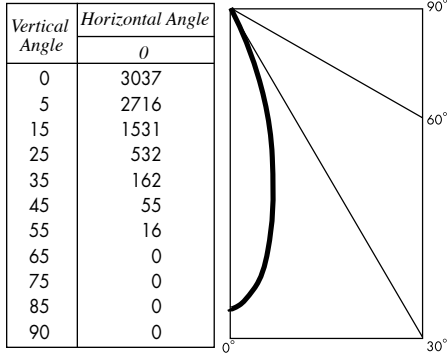


## PHOTOMETRIC REPORT with 32° lens (tested per IESNA LM-79-2008)

Verification Services Report No. 11827425.10. Original test report furnished upon request.

Luminaire ..... recessed LED round downlight with semi-specular clear aluminum external reflector (NO DIFFUSER)  
 Light Source ..... Cree CXB1310 LED with 32° beam spread integral lens, 2700K CCT, 90 CRI, 1200 lumens  
 Spacing Criteria ..... 0.5

### CANDLEPOWER DISTRIBUTION (Candela)



### LUMINANCE DATA

Vertical Angle	Candelam <sup>2</sup>
45	9591
55	3427
65	32
75	0
85	0

### ZONAL LUMEN SUMMARY

Zone	Lumens	% Fixture
0 - 40°	1018	94.2
0 - 60°	1081	100.0
0 - 90°	1082	100.0
90 - 180°	0	0.0

### LUMINAIRE LIGHT OUTPUT AND EFFICACY

LED Light Engine	Luminaire Light Output	Luminaire Efficacy (lms/watt)	System Wattage	RX Light Output (90 min. run)
800 Lumens 90 CRI	703*	78*	9	454*
1000 Lumens 90 CRI	843*	84*	10	454*
1200 Lumens 90 CRI	1081	83	13	454*
1500 Lumens 90 CRI	1265*	74*	17	454*
1000 Lumens 80 CRI	876*	97*	9	551*
1200 Lumens 80 CRI	1038*	104*	10	551*
1500 Lumens 80 CRI	1297*	100*	13	551*
1800 Lumens 80 CRI	1557*	92*	17	551*

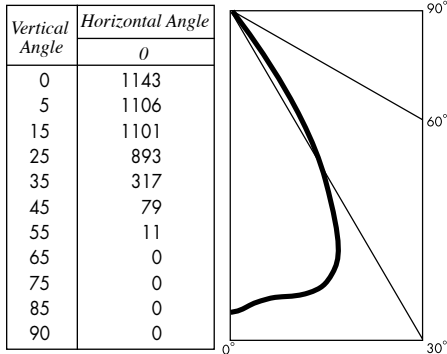
\*estimated values

## PHOTOMETRIC REPORT with 60° lens (tested per IESNA LM-79-2008)

Verification Services Report No. 11827425.09. Original test report furnished upon request.

Luminaire ..... recessed LED round downlight with semi-specular clear aluminum external reflector (NO DIFFUSER)  
 Light Source ..... Cree CXB1310 LED with 60° beam spread integral lens, 2700K CCT, 90 CRI, 1200 lumens  
 Spacing Criteria ..... 1.0

### CANDLEPOWER DISTRIBUTION (Candela)



### LUMINANCE DATA

Vertical Angle	Candelam <sup>2</sup>
45	13830
55	2267
65	13
75	0
85	0

### ZONAL LUMEN SUMMARY

Zone	Lumens	% Fixture
0 - 40°	1017	93.0
0 - 60°	1093	100.0
0 - 90°	1093	100.0
90 - 180°	0	0.0

### LUMINAIRE LIGHT OUTPUT AND EFFICACY

LED Light Engine	Luminaire Light Output	Luminaire Efficacy (lms/watt)	System Wattage	RX Light Output (90 min. run)
800 Lumens 90 CRI	710*	79*	9	459*
1000 Lumens 90 CRI	853*	85*	10	459*
1200 Lumens 90 CRI	1093	84	13	459*
1500 Lumens 90 CRI	1279*	75*	17	459*
1000 Lumens 80 CRI	885*	98*	9	557*
1200 Lumens 80 CRI	1049*	105*	10	557*
1500 Lumens 80 CRI	1312*	101*	13	557*
1800 Lumens 80 CRI	1574*	93*	17	557*

\*estimated values

## STANDARD DMV DRIVER INFORMATION (UL Class 2, dry and damp location)

Voltage	120	277
Input Watts (I08H/I10H/I12H/I15H/I10S/I12S/I15S/I18S)	9/10/13/17/9/10/13/17	9/10/13/17/9/10/13/17
Input Current (A) (I08H/I10H/I12H/I15H/I10S/I12S/I15S/I18S)	08/08/11/14/08/08/11/14	03/04/05/06/03/04/05/06
Output Current (mA)	350-700	350-700
Min. Power Factor	.99	.99
Operating Temperature Range (F)	-13 to 122	-13 to 122

## LIGHT OUTPUT MULTIPLIER

LED Light Engine	Light Output Multiplier
800 Lumens 90 CRI	0.65*
1000 Lumens 90 CRI	0.78*
1200 Lumens 90 CRI	1
1500 Lumens 90 CRI	1.17*
1000 Lumens 80 CRI	0.81*
1200 Lumens 80 CRI	0.96*
1500 Lumens 80 CRI	1.20*
1800 Lumens 80 CRI	1.44*

\*estimated values

## REFLECTOR COLOR MULTIPLIERS

Slightly diffuse clear (V)	1
Fully diffuse clear (EC)	.90
Champagne gold clear (G)	1
Specular white (W)	.70
Black (B)	.40