

PRESTO™ THREE LED WL

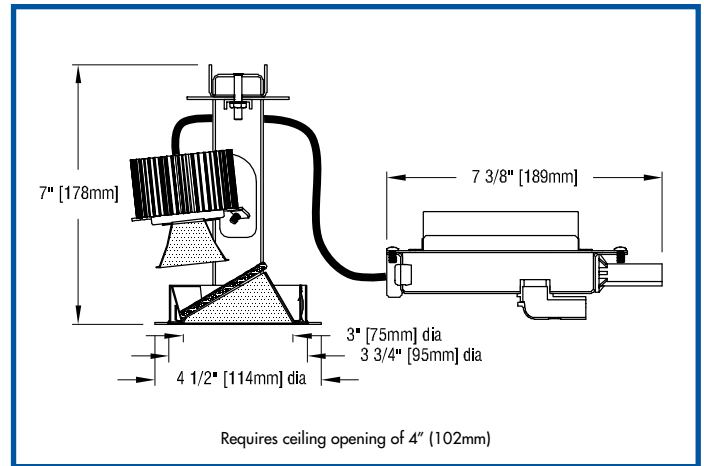
recessed LED wallwasher remodeler



PRECISE OPTICS - PRECISE OPTICS - PRECISE OPTICS - PRECISE OPTICS - PRECISE OPTICS

FEATURES

- Presto Three LED WL is a 3" aperture LED remodeler wallwasher. Recess depth is 6 7/8" to 7 3/4", varying directly with ceiling thickness.
- Luminaire is powered by a Xicato® XTM (19mm) LED module, distinguished by extraordinary color consistency (within 1 x 2 -step MacAdam ellipse). See tables on the next page for luminaire wattages and efficacies.
- Luminaire may be ordered with one of a number of drivers.
- The optical assembly consists of two internal reflectors, a 40° x 70° spread lens and an external reflector. Precise reflector design provides uniform illumination on vertical surfaces up to the ceiling line and minimizes aperture brightness.
- External reflectors are available in two clear natural aluminum colors – slightly diffuse (V) or fully diffuse (EC) – as well as champagne gold or black Alzak®. Other finishes are available on special order.
- Trim flange conceals edges of ceiling installation hole. Standard finish is white; custom paint finish available on special order.
- Frame is constructed from 14-gauge electro-zinc steel in Edison Price Lighting's American factory.
- For more information, [click here](#).



PRODUCT CODE

For complete product code, list basic unit and select one item from each following box.

Basic Unit PST-XTM-3WL
Custom painted trim flange available on special order. Add -CC

Driver
dimmmable to 1% with a 0-10V dimmer on 120 or 277-volt service..... - DMV
dimmmable to 10% with either an incandescent or electronic
low voltage (ELV) dimmer on 120-volt service only;
not suitable for 700 lumen source (L07A) - DMP

Light Source Output		
700 lumens /CRI 98 Artist	DMP driver not available	L07A
1000 lumens /CRI 98 Artist		L10A
1000 lumens /CRI 83		L10S
1000 lumens /CRI 83 Vibrant	3000K only	L10V
1300 lumens /CRI 98 Artist		L13A
1300 lumens /CRI 83		L13S
1300 lumens /CRI 83 Vibrant	3000K only	L13V
1600 lumens /CRI 98 Artist		L16A
1600 lumens /CRI 83		L16S
1600 lumens /CRI 83 Vibrant	3000K only	L16V

Voltage 120 or 277

Light Engine Color	
2700K	- 27K
3000K	- 30K
3500K	- 35K
4000K	- 40K

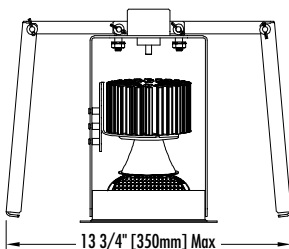
Reflector Color and Detail	
Semi-specular Clear	CTF
Slightly diffuse Clear	VTF
Fully diffuse Clear	ECTF
Champagne Gold	GTF
Black	BTF
Other reflector finishes available on special order.	

► Kits are available on special order for the field conversion of this luminaire to a downlight or accent light. Contact factory.

APPLICATIONS

Installation locations should offer the following conditions:

- ceiling material 2" or less thick capable of supporting at least 16 pounds
- recess depth of 7 3/8" to 8 1/4", varying directly with ceiling thickness
- plenum free of joists or obstructions for as much as 6 7/8" to either side to accommodate 'legs' of frame and as much as 13" to one side to accommodate junction box, varying directly with ceiling thickness.



Luminaire is listed for Damp Location, RoHA compliant and prewired with a thermal protector. Removal of the reflector allows access to the LED array, driver and junction box.

Flush trim model, see [PRESTINA THREE LED WL](#)
Standard recessed, see [THREE XTM WL](#)
IC-rated, see [EPIC THREE XTM WL](#)
For retrofit LED lamp, see [PRESTO THREE MRE WL](#)

MODIFICATIONS AVAILABLE

Contact factory with quantity for pricing; orders may require shop drawing approval.

- **+DOD:** luminaire suitable for **high humidity** environments; add +DOD to Product Code.
- **+MAR:** reflector suitable for **marine** environments; add +MAR to Product Code.



PHOTOMETRIC REPORT (tested per IESNA LM-79-2008)

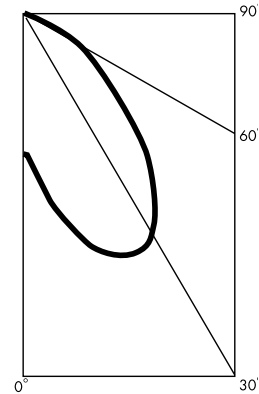
UL Verification Services Report No. 1188774. Original test report furnished upon request.

Luminaire recessed LED round lensed wallwasher with semi-specular clear aluminum reflector
 Light Source one white Xicato XTM 19mm LES LED with 54° beam spread integral reflector, 3000K CCT, 80 CRI, 1600 lumens
 Lamp Life rated 50,000 hours based on L70/B50 criteria. LM80 report by LED manufacturer furnished upon request

WALLWASH INFORMATION 1600 lumens LED light output

Distance From Ceiling (Feet)	2' 6" From Wall; 2' 6" O.C.		3' From Wall; 3' O.C.		3' 6" From Wall; 3' 6" O.C.	
	Below Fixture	Between Fixtures	Below Fixture	Between Fixtures	Below Fixture	Between Fixtures
1	11	8	6	4	4	3
2	24	19	14	10	8	6
3	25	23	18	16	13	10
4	21	20	17	16	13	12
5	16	15	14	13	12	11
6	12	12	11	11	10	10
7	9	9	8	8	8	8
8	7	7	7	7	6	6
9	5	5	5	5	5	5
10			4	4	4	4

CANDLEPOWER DISTRIBUTION



STANDARD DMV DRIVER INFORMATION (UL Class 2, dry and damp location)

Voltage	120	277
Input Watts (L07A/L10A/L13A/L16A/L10S&V/L13S&V/L16S&V)	12/17/21/22/12/17/19	12/17/21/22/12/17/19
Input Current (A) (L07A/L10A/L13A/L16A/L10S&V/L13S&V/L16S&V)	.10/.14/.18/.18/.08/10/14	.04/.06/.08/.08/.04/.04/.06
Output Current (mA)	350-700	350-700
Min. Power Factor	.99	.99
Operating Temperature Range (F)	-13 to 122	-13 to 122

LIGHT OUTPUT MULTIPLIER

LED Light Engine	Light Output Multiplier
700 Lumens Artist	.46*
1000 Lumens Artist	.61*
1300 Lumens Artist	.82*
1600 Lumens Artist	.99*
1000 Lumens standard & Vibrant	.62*
1300 Lumens standard & Vibrant	.83*
1600 Lumens standard & Vibrant	1.0

*estimated values

LUMINAIRE LIGHT OUTPUT AND EFFICACY

LED Light Engine	Luminaire Light Output	Luminaire Efficacy (lms/watt)	System Wattage
700 Lumens Artist	228*	19*	12
1000 Lumens Artist	303*	18*	17
1300 Lumens Artist	404*	19*	21
1600 Lumens Artist	487*	22*	22
1000 Lumens standard & Vibrant	306*	26*	12
1300 Lumens standard & Vibrant	408*	24*	17
1600 Lumens standard & Vibrant	492	26	19

*estimated values

REFLECTOR COLOR MULTIPLIERS

Semi-specular clear (C)	1
Slightly diffuse clear (V)	.99
Fully diffuse clear (EC)	.88
Champagne gold clear (G)	.99
Black (B)	.80