

Project

Type



Date

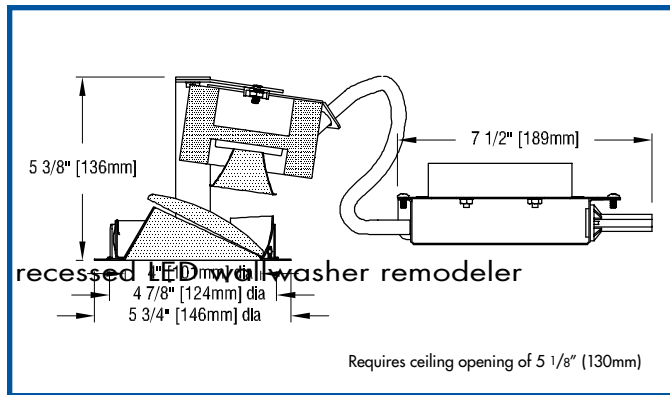
Product Code

Designer

PRESTO™ FOUR LED WL

recessed LED wallwasher remodeler

PRECISE OPTICS - PRECISE OPTICS - PRECISE OPTICS - PRECISE OPTICS - PRECISE OPTICS - PRECISE OPTICS - PRECISE OPTICS



Requires ceiling opening of 5 1/8" (130mm)

PRODUCT CODE

For complete product code, list basic unit and select one item from each following box.

Basic Unit PST-XTM-4WL
Custom painted trim flange available on special order. Add -CC

Light Source Output	
700 lumens / CRI 98 ArtistDMP driver not available.....	- L07A
1000 lumens / CRI 98 Artist	- L10A
1000 lumens / CRI 80+.....	- L10S
1000 lumens / CRI 80+ Vibrant ...3000K only	- L10V
1300 lumens / CRI 98 Artist	- L13A
1300 lumens / CRI 80+	- L13S
1300 lumens / CRI 80+ Vibrant ...3000K only	- L13V
1600 lumens / CRI 98 Artist	- L16A
1600 lumens / CRI 80+.....	- L16S
1600 lumens / CRI 80+ Vibrant ...3000K only	- L16V
2000 lumens / CRI 80+.....	- L20S
2000 lumens / CRI 80+ Vibrant ...3000K only	- L20V
2100 lumens / CRI 98 Artist	- L21A
2700 lumens / CRI 80+.....	- L27S
2700 lumens / CRI 80+ Vibrant ...3000K only	- L27V

Light Color	
2700 K.....	- 27K
3000 K.....	- 30K
3500 K	- 35K
4000 K.....	- 40K

Driver	
dimmable to 1% by a 0-10V dimmer on 120 or 277-volt service	- DMV
dimmable to 5% by either an incandescent or ELV dimmer; 120-volt service only; not suitable for 700 lumen source (L07A) ..	- DMP
eldoLED 0-10V (Logarithmic) driver dimmable to 0.1% with a 0-10V dimmer on 120 or 277-volt service	- DVOELG
eldoLED 0-10V (Linear) driver dimmable to 0.1% with a 0-10V dimmer on 120 or 277-volt service	- DVOELN
eldoLED driver dimmable to 0.1%, compatible with Dali control system	- DA0-EL

Voltage	
120 volt.....	- 120
277 volt.....	- 277

Reflector Color	
Semi-specular Clear.....	- CTF
Slightly diffuse Clear.....	- VTF
Fully diffuse Clear.....	- ECTF
Champagne Gold.....	- GTF
Black	- BTF
Other reflector finishes available on special order.	

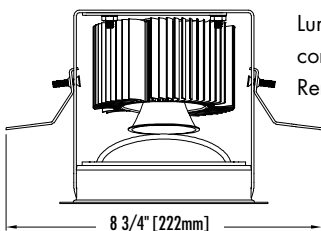
FEATURES

- Presto Four LED WL is a 4" aperture, LED remodeler wallwasher powered by one of a number of Xicato® XTM 19mm modules – including Artist Series and Vibrant Series modules – all of which are distinguished by extraordinary color consistency (within 1x2-step MacAdam ellipse). See tables on the reverse for wattages and efficiencies.
- Luminaire optical assembly includes two internal reflectors, a 40° x 70° spread lens and an external reflector. Precise reflector design provides uniform illumination on vertical surfaces up to the ceiling line and minimizes aperture brightness. Recess depth is 5 3/8".
- Luminaire may be ordered with a number of drivers.
- Reflectors are available in three clear natural aluminum finishes —semi-specular (C), slightly diffuse (V) or fully diffuse (EC) — as well as champagne gold or black Alzak®. Other finishes available on special order.
- Trim flange conceals edges of ceiling installation hole. Standard finish is white; custom paint finish available on special order.
- For more information, [click here](#).

APPLICATIONS

Installation locations should offer the following conditions:

- ceiling material 2" or less thick capable of supporting 16 pounds
- recess depth of at least 5 3/8"
- plenum free of joists or obstructions for at least 11" from center along one side (to accommodate junction box).



Luminaire is listed for Damp Location, RoHA compliant and prewired with a thermal protector. Removal of the reflector allows access to the LED array, driver and junction box.

Flush trim model, see [PRESTINA FOUR LED WL](#)

Standard recessed, see [FOUR HI WL](#)

For higher efficacies, see [PRESTO WAFER/4 WL](#)

For retrofit LED lamp, see [PRESTO MRE/4 WL](#)



41-50 22ND STREET, LIC NY 11101 TEL 718.685.0700 FAX 718.786.8530 www.epl.com
U.S. Patent No. US 7,744,256 B2 (June 29, 2010)
©Copyright, Edison Price Lighting 2019

PRESTO FOUR LED WL



PHOTOMETRIC REPORT (tested per IESNA LM-79-2008)

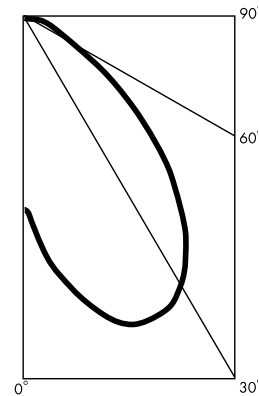
UL Verification Services Report No. 1173024. Original test report furnished upon request.

Luminaire recessed LED round lensed wallwasher with semi-specular clear aluminum reflector
 Light Source one white Xicato XTM 19mm LES LED with 54° beam spread integral reflector, 3000K CCT, 80 CRI, 2000 lumens
 Lamp Life rated 50,000 hours based on L70/B50 criteria. LM80 report by LED manufacturer furnished upon request

WALLWASH INFORMATION 2000 lumens LED light output

Distance From Ceiling (Feet)	2' 6" From Wall; 2' 6" O.C.		3' From Wall; 3' O.C.		3' 6" From Wall; 3' 6" O.C.	
	Below Fixture	Between Fixtures	Below Fixture	Between Fixtures	Below Fixture	Between Fixtures
1	12	10	7	6	4	4
2	27	22	15	12	9	7
3	29	27	21	18	14	12
4	24	23	19	18	15	14
5	18	17	16	16	13	13
6	13	13	13	13	11	11
7	10	10	10	10	9	9
8	8	8	8	8	7	7
9	6	6	6	6	6	6
10			5	5	5	5

CANDLEPOWER DISTRIBUTION



STANDARD DMV DRIVER INFORMATION (UL Class 2, dry and damp location)

Voltage	120	277
Input Watts (L07A/L10A/L13A/L16A/L21A/L10S&V/L13S&V/L16S&V/L20S&V/L27S&V)	12/17/21/22/29/12/17/19/22/29	12/17/21/22/29/12/17/19/22/29
Input Current (A) (L07A/L10A/L13A/L16A/L21A/L10S&V/L13S&V/L16S&V/L20S&V/L27S&V)	.10/.14/.18/.18/24/.10/.14/.16/.18/.24	.04/.06/.08/.08/10/.04/.06/.07/08/10
Output Current (mA)	350-700	350-700
Min. Power Factor	.99	.99
Operating Temperature Range (F)	-13 to 122	-13 to 122

LIGHT OUTPUT MULTIPLIER

LED Light Engine	Light Output Multiplier
700 Lumens Artist	.37*
1000 Lumens Artist	.48*
1300 Lumens Artist	.64*
1600 Lumens Artist	.78*
2100 Lumens Artist	1.03*
1000 Lumens standard & Vibrant	.49*
1300 Lumens standard & Vibrant	.65*
1600 Lumens standard & Vibrant	.79*
2000 Lumens standard & Vibrant	1
2700 Lumens standard & Vibrant	1.30*

*estimated values

LUMINAIRE LIGHT OUTPUT AND EFFICACY

LED Light Engine	Luminaire Light Output	Luminaire Efficacy (lms/watt)	System Wattage
700 Lumens Artist	213*	17*	12
1000 Lumens Artist	283*	17*	17
1300 Lumens Artist	373*	18*	21
1600 Lumens Artist	454*	21*	22
2100 Lumens Artist	602*	21*	29
1000 Lumens standard & Vibrant	285*	23*	12
1300 Lumens standard & Vibrant	381*	23*	17
1600 Lumens standard & Vibrant	460*	24*	19
2000 Lumens standard & Vibrant	583	27	22
2700 Lumens standard & Vibrant	760*	26*	29

*estimated values

REFLECTOR COLOR MULTIPLIERS

Reflector Color	Multiplier
Semi-specular clear (C)	1
Slightly diffuse clear (V)	.99
Fully diffuse clear (EC)	.88
Champagne gold clear (G)	.99
Black (B)	.80