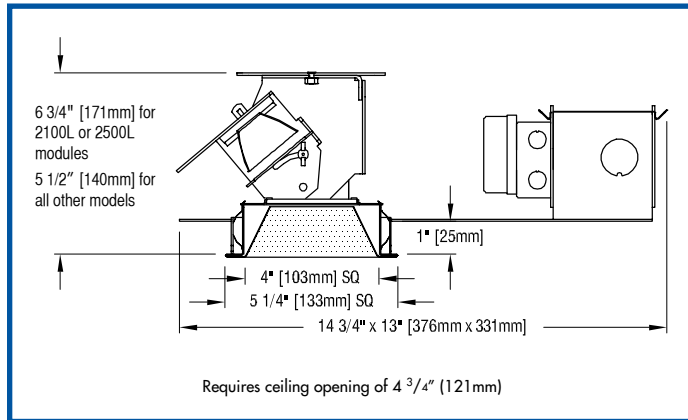


SQUARE AA/4

recessed square LED accent light

FULLY SUSTAINABLE – FULLY SUSTAINABLE – FULLY SUSTAINABLE – FULLY SUSTAINABLE – FULLY SUSTAINABLE – FULLY SUSTAINABLE – FULLY SUSTAINABLE



FEATURES

- **SQUARE AA/4 is a 4" square LED accent light.** Luminaire is powered by one of a number of Xicato XTM (19mm) LED modules, distinguished by extraordinary color consistency (within 1x2-step MacAdam ellipse). See tables below for wattages and efficacies.
- **Luminaire employs an 'twist and lock' internal reflector** to produce an initial beamspread of 36° or 54°. To allow beamspread to be changed in installed luminaires, internal reflectors are available as accessories.
- **Luminaire provides full circle rotation and 0° - 35° angular adjustment.** Once focused, adjustment may be locked by means of a thumb screw and a wing nut.
- **Precise reflector design minimizes aperture brightness** and virtually eliminates the inter-reflections inherent with square apertures. External reflector is designed to accept either a Solite-pattern prismatic lens (-PRS) or a clear glass (-GLS) mounted in the top aperture.
- **External reflectors are available in two clear natural aluminum finishes** – slightly diffuse (V) or fully diffuse (EC) – as well as black and white.
- **Housing is constructed from 14-gauge and 16-gauge electro-zinc steel** in Edison Price Lighting's American factory. Heavy-gauge metals and American manufacturing guarantee long-lasting durability.
- **Luminaires includes a pair of 3/4" x 27" C channel mounting bars.**
- **For more information, [click here](#).**

APPLICATIONS



Fixture is listed for Damp Location. Fixture is prewired with thermal protector and approved for eight #12 wire 90° branch circuit pull-through wiring. Removal of the external reflector trim allows access to the LED module and junction box.

SPACING

11 models – L14A, L16S, L16V, L16H, L21A, L21S, L21V, L21H, L25S, L25V and L25H – must be spaced 30" apart and 15" from walls with 1/2" clearance above housing.

For **Trimless Square aperture** model, see [PRIM SQUARE AA/4](#).
For **shallower depths and lower pricing**, see [WAFER SQUARE/4 AA](#).

PRODUCT CODE

For complete product code, list basic unit and select one item from each following box.

Basic Unit	S4-XTM-AA
Driver <i>Choose one.</i>	
dimmable to 1% by a 0-10V dimmer on 120 or 277-volt service	DMV
dimmable to 5% or 10% (see Light Output box below) by either an incandescent or ELV dimmer; 120-volt service only	DMP
eldoLED 0-10V (Logarithmic) driver dimmable to 0.1% with a 0-10V dimmer on 120 or 277-volt service	DVOELG
eldoLED 0-10V (Linear) driver dimmable to 0.1% with a 0-10V dimmer on 120 or 277-volt service	DVOELN
eldoLED driver dimmable to 0.1%, compatible with DALI control system	DA0-EL
Moons' driver dimmable to 0.1%, compatible with DMX controllers	DX0

Light Source Output (Lumens) *Choose one.*

700L / CRI 98 Artist	DMP (10%)	L07A	
1000L / CRI 98	DMP (5%)	L10A	
1400L / CRI 98	see SPACING	DMP (5%)	L14A
2100L / CRI 98	see SPACING...note: 6 3/4" depth	DMP (5%)	L21A
1000L / CRI 90 Designer	DMP (5%)	L10H	
1300L / CRI 90	DMP (5%)	L13H	
1600L / CRI 90	see SPACING	DMP (5%)	L16H
2100L / CRI 90	see SPACING...note: 6 3/4" depth	DMP (5%)	L21H
2500L / CRI 90	see SPACING...note: 6 3/4" depth	DMP (5%)	L25H
1000L / CRI 80+ Vibrant	DMP (10%)	L10V	
1300L / CRI 80+	DMP (10%)	L13V	
1600L / CRI 80+	see SPACING	DMP (5%)	L16V
2100L / CRI 80+	see SPACING...note: 6 3/4" depth	DMP (5%)	L21V
2500L / CRI 80+	see SPACING...note: 6 3/4" depth	DMP (5%)	L25V
1000L / CRI 80+ standard	DMP (10%)	L10S	
1300L / CRI 80+	DMP (10%)	L13S	
1600L / CRI 80+	see SPACING	DMP (5%)	L16S
2100L / CRI 80+	see SPACING...note: 6 3/4" depth	DMP (5%)	L21S
2500L / CRI 80+	see SPACING...note: 6 3/4" depth	DMP (5%)	L25S

Vibrant available in 3000K only. Designer available in 2700K or 3000K

Light Color *Choose one.*

2700 K	- 27K	3500 K	- 35K
3000 K	- 30K	4000 K	- 40K

Internal Reflector *Choose one.*

36° initial beamspread	- 36D
54° initial beamspread	- 54D

Voltage *Choose one.*

120 volt service	- 120
277 volt service	- 277

External Reflector Lens *Choose one.*

Solite prismatic lens	- PRS
Clear glass	- GLS

Reflector Color and Detail

Slightly diffuse Clear	VOL	Overlap
Champagne Gold	GOL	
Black	BOL	
Specular White	WOL	

Other reflector finishes available on special order.
Standard reflector flange continues reflector finish. White painted flanges and custom painted flanges are available on special order. Add WF (white flange) or CCF (custom color flange).

EXTRA REFLECTORS *Specify as separate line items.*

36° initial beamspread	XTM-REF36D
54° initial beamspread	XTM-REF54D

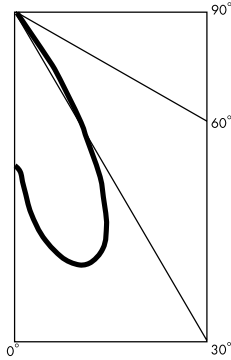
PHOTOMETRIC REPORT with 36° reflector and prismatic lens (PRS) (tested per IESNA LM-79-2008)

Verification Services Report No. 1181798. Original test report furnished upon request.

Luminaire recessed LED square accent light with slightly diffuse clear aluminum reflector covered with prismatic lens (PRS)
 Light Source one white Xicato XTM 19mm LES LED with 36° beam spread integral reflector, 3000K CCT, 80 CRI, 1600 lumens
 Lamp Life rated 50,000 hours based on L70/B50 criteria. LM80 report by LED manufacturer furnished upon request

CANDLEPOWER DISTRIBUTION (Candela)

Vertical Angle	Horizontal Angle				
	0	45	90	135	180
0	1566	1566	1566	1566	1566
5	2193	1984	1448	1029	832
15	2714	2056	859	221	54
25	2105	1186	223	19	13
35	389	198	12	6	6
45	12	8	5	2	6
55	1	1	3	1	6
65	0	0	1	0	0
75	0	0	0	0	0
85	0	0	0	0	0
90	0	0	0	0	0



LUMINAIRE LIGHT OUTPUT AND EFFICACY

LED Light Engine	Luminaire Light Output	Luminaire Efficacy (lms/watt)	System Wattage
700 Lumens Artist	374*	37*	10
1000 Lumens Artist	497*	38*	13
1400 Lumens Artist	684*	43*	16
2100 Lumens Artist	1058*	42*	25
1000 Designer	505*	42*	12
1300 Designer	676*	42*	16
1600 Designer	814*	51*	16
2100 Designer	1058*	50*	21
2500 Designer	1188*	46*	26
1000 Lumens standard & Vibrant	505*	50*	10
1300 Lumens standard & Vibrant	676*	48*	14
1600 Lumens standard & Vibrant	814	51*	16
2100 Lumens standard & Vibrant	1058*	50*	21
2500 Lumens standard & Vibrant	1188*	46*	26

*estimated values

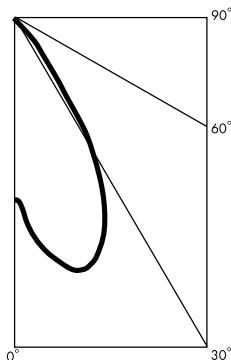
PHOTOMETRIC REPORT with 54° reflector and prismatic lens (PRS) (tested per IESNA LM-79-2008)

Verification Services Report No. 1181796. Original test report furnished upon request.

Luminaire recessed LED square accent light with slightly diffuse clear aluminum reflector covered with prismatic lens (PRS)
 Light Source one white Xicato XTM 19mm LES LED with 54° beam spread integral reflector, 3000K CCT, 80 CRI, 1600 lumens
 Lamp Life rated 50,000 hours based on L70/B50 criteria. LM80 report by LED manufacturer furnished upon request

CANDLEPOWER DISTRIBUTION (Candela)

Vertical Angle	Horizontal Angle				
	0	45	90	135	180
0	1148	1148	1148	1148	1148
5	1383	1303	1118	932	844
15	1645	1423	937	416	226
25	1355	1102	409	71	16
35	418	374	14	9	9
45	9	10	6	3	19
55	3	2	4	2	12
65	1	0	1	1	1
75	0	0	0	0	0
85	0	0	0	0	0
90	0	0	0	0	0



LUMINAIRE LIGHT OUTPUT AND EFFICACY

LED Light Engine	Luminaire Light Output	Luminaire Efficacy (lms/watt)	System Wattage
700 Lumens Artist	335*	34*	10
1000 Lumens Artist	445*	34*	13
1400 Lumens Artist	612*	38*	16
2100 Lumens Artist	948*	38*	25
1000 Designer	452*	38*	12
1300 Designer	605*	38*	16
1600 Designer	729*	46*	16
2100 Designer	948*	45*	21
2500 Designer	1064*	41*	26
1000 Lumens standard & Vibrant	452*	45*	10
1300 Lumens standard & Vibrant	605*	43*	14
1600 Lumens standard & Vibrant	729	46*	16
2100 Lumens standard & Vibrant	948*	45*	21
2500 Lumens standard & Vibrant	1064*	41*	26

*estimated values

PHOTOMETRIC REPORTS CONTINUE BELOW



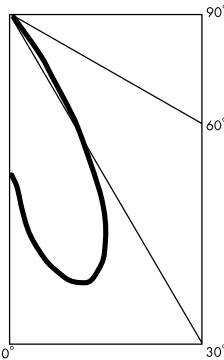
PHOTOMETRIC REPORT with 36° reflector and clear glass (GLS) (tested per IESNA LM-79-2008)

Verification Services Report No. 1181795. Original test report furnished upon request.

Luminaire recessed LED square accent light with slightly diffuse clear aluminum reflector covered with clear glass (GLS)
 Light Source ..one white Xicato XTM 19mm LES LED with 36° beam spread integral reflector, 3000K CCT, 80 CRI, 1600 lumens
 Lamp Life rated 50,000 hours based on L70/B50 criteria. LM80 report by LED manufacturer furnished upon request

CANDLEPOWER DISTRIBUTION (Candela)

Vertical Angle	Horizontal Angle				
	0	45	90	135	180
0	1560	1560	1560	1560	1560
5	2249	2022	1447	1014	806
15	2785	2113	841	184	36
25	2190	1213	209	14	11
35	370	178	10	5	6
45	7	7	4	2	5
55	1	1	3	2	5
65	0	0	1	0	0
75	0	0	0	0	0
85	0	0	0	0	0
90	0	0	0	0	0



LUMINAIRE LIGHT OUTPUT AND EFFICACY

LED Light Engine	Luminaire Light Output	Luminaire Efficacy (lms/watt)	System Wattage
700 Lumens Artist	375*	37*	10
1000 Lumens Artist	497*	38*	13
1400 Lumens Artist	685*	43*	16
2100 Lumens Artist	1060*	42*	25
1000 Designer	505*	42*	12
1300 Designer	676*	42*	16
1600 Designer	815*	51*	16
2100 Designer	1060*	50*	21
2500 Designer	1190*	46*	26
1000 Lumens standard & Vibrant	505*	51*	10
1300 Lumens standard & Vibrant	676*	48*	14
1600 Lumens standard & Vibrant	815	51*	16
2100 Lumens standard & Vibrant	1060*	50*	21
2500 Lumens standard & Vibrant	1190*	46*	26

*estimated values

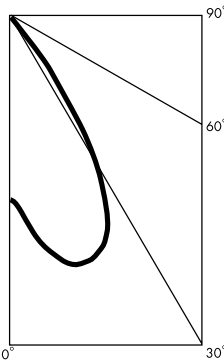
PHOTOMETRIC REPORT with 54° reflector and clear glass (GLS) (tested per IESNA LM-79-2008)

Verification Services Report No. 1181797. Original test report furnished upon request.

Luminaire recessed LED square accent light with slightly diffuse clear aluminum reflector covered with clear glass (GLS)
 Light Source ..one white Xicato XTM 19mm LES LED with 54° beam spread integral reflector, 3000K CCT, 80 CRI, 1600 lumens
 Lamp Life rated 50,000 hours based on L70/B50 criteria. LM80 report by LED manufacturer furnished upon request

CANDLEPOWER DISTRIBUTION (Candela)

Vertical Angle	Horizontal Angle				
	0	45	90	135	180
0	1165	1165	1165	1165	1165
5	1369	1306	1135	952	859
15	1643	1419	951	417	222
25	1409	1135	401	62	13
35	421	370	11	7	8
45	7	7	6	3	21
55	3	1	4	2	14
65	1	0	1	1	1
75	0	0	0	0	0
85	0	0	0	0	0
90	0	0	0	0	0



LUMINAIRE LIGHT OUTPUT AND EFFICACY

LED Light Engine	Luminaire Light Output	Luminaire Efficacy (lms/watt)	System Wattage
700 Lumens Artist	337*	34*	10
1000 Lumens Artist	447*	34*	13
1400 Lumens Artist	615*	38*	16
2100 Lumens Artist	952*	38*	25
1000 Designer	454*	38*	12
1300 Designer	608*	38*	16
1600 Designer	732*	46*	16
2100 Designer	952*	45*	21
2500 Designer	1069*	41*	26
1000 Lumens standard & Vibrant	454*	45*	10
1300 Lumens standard & Vibrant	608*	43*	14
1600 Lumens standard & Vibrant	732	46*	16
2100 Lumens standard & Vibrant	952*	45*	21
2500 Lumens standard & Vibrant	1069*	41*	26

*estimated values

STANDARD DMV DRIVER INFORMATION

(UL Class 2, dry and damp location)

Voltage	120	277
Input Watts Range (W)	10 to 26	10 to 26
Input Current Range (A)	.08 to .22	.04 to .09
Output Current (mA)	350-700	350-700
Min. Power Factor	.99	.99
Operating Temperature Range (F)	-13 to 122	-13 to 122

REFLECTOR COLOR MULTIPLIERS

Slightly diffuse clear (V)	1
Fully diffuse clear (EC)	.90
Specular White (W)	.70
Black (B)	.40

LIGHT OUTPUT MULTIPLIER

LED Light Engine	Light Output Multiplier
700 Lumens Artist	0.46*
1000 Lumens Artist	0.61*
1400 Lumens Artist	0.84*
2100 Lumens Artist	1.3*
1000 Designer	0.62*
1300 Designer	0.83*
1600 Designer	1*
2100 Designer	1.3*
2500 Designer	1.46*
1000 Lumens standard & Vibrant	0.62*
1300 Lumens standard & Vibrant	0.83*
1600 Lumens standard & Vibrant	1
2100 Lumens standard & Vibrant	1.3*
2500 Lumens standard & Vibrant	1.46*

*estimated values