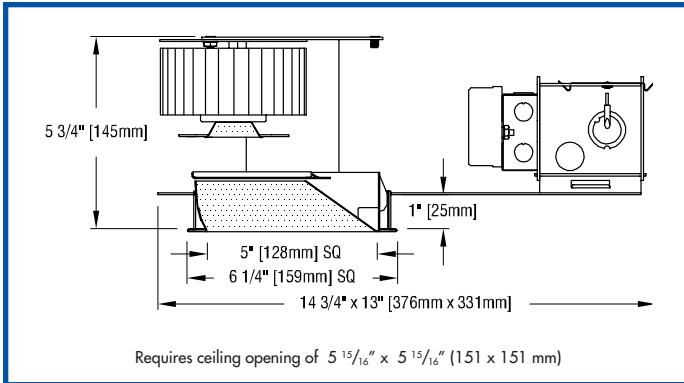


# SQUARE WL/5

recessed lensed LED wallwasher



FULLY SUSTAINABLE – FULLY SUSTAINABLE – FULLY SUSTAINABLE – FULLY SUSTAINABLE – FULLY SUSTAINABLE – FULLY SUSTAINABLE – FULLY SUSTAINABLE



- **SQUARE WL/5 is a 5" square lensed LED wallwasher.** Luminaire is powered by one of a number of Xicato 19mm XTM LED modules, distinguished by extraordinary color consistency (within 1x2-step MacAdam ellipse). See tables below for wattages and efficacies.
- **A precisely designed reflector and spread lens** distributes light to the top of the wall, minimizes aperture brightness and virtually eliminates the inter-reflections inherent with square apertures.
- **External reflectors are available in slightly diffuse clear natural aluminum, champagne gold Alzak® or specular white paint finishes.** Other reflector finishes are available on special order.
- **Luminaire includes a pair of mounting bars** (3/4" x 27" C channel). Specialty bars for wood joist and T-bar installations are also available.
- **For more information, [click here.](#)**

## APPLICATIONS

Luminaire is listed for Damp Location. Luminaire is prewired with thermal protector and approved for ten #12 wire 90° branch circuit pull-through wiring.



To maximize LED engine life, follow the spacing requirements detailed in the box below. All luminaires are RoHS compliant. Removal of the reflector allows access to the junction box.

### SPACING REQUIREMENTS

Four models – L30S, L30V, L40S and L40V – must be spaced 30" apart (O.C.) and 15" from walls, with 1/2" clearance above housing.

### MODIFICATION AVAILABLE

Contact factory with quantity for pricing; orders may require shop drawing approval.

**+DOD:** luminaire suitable for **high humidity** environments; add +DOD to Product Code.

## PRODUCT CODE

For complete product code, list basic unit and select one item from each following box.

|   |           |
|---|-----------|
| Basic Unit.....   | S5-XTM-WL |
| Driver  |           |
| dimble to 1% by a 0-10V dimmer on 120 or 277-volt service .....       | - DMV     |
| dimble to 5% or 10% (see Light Source Output box below)               |           |
| by either an incandescent or ELV dimmer; 120-volt service only .....  | - DMP     |
| eldoLED 0-10V (Logarithmic) driver dimmable to 0.1% with a            |           |
| 0-10V dimmer on 120 or 277-volt service .....                         | - DV0ELG  |
| eldoLED 0-10V (linear) driver dimmable to 0.1% with a                 |           |
| 0-10V dimmer on 120 or 277-volt service .....                         | - DV0ELN  |
| eldoLED driver dimmable to 0.1%, compatible with                      |           |
| DALI control system .....   | - DAO-EL  |
| Moons' driver dimmable to 0.1%, compatible with DMX controllers ..... | - DXO     |

### Light Source Output (Lumens) Choose one.

|                               |                   |                |
|-------------------------------|-------------------|----------------|
| 1000L / CRI 98 Artist .....   | DMP (5%) .....    | L10A           |
| 1400L / CRI 98 .....          | DMP (5%) .....    | L14A           |
| 2100L / CRI 98 .....          | DMP (5%) .....    | L21A           |
| 2700L / CRI 98 .....          | .....             | L27A           |
| 3000L / CRI 98 .....          | .....             | L30A           |
| 1300L / CRI 90 Designer.....  | DMP (5%) .....    | L13H           |
| 1600L / CRI 90 .....          | DMP (5%) .....    | L16H           |
| 2100L / CRI 90 .....          | DMP (5%) .....    | L21H           |
| 3000L / CRI 90.....           | DMP (5%) .....    | L30H           |
| 1300L / CRI 80+ Vibrant.....  | DMP (10%) .....   | L13V           |
| 1600L / CRI 80+ .....         | DMP (5%) .....    | L16V           |
| 2100L / CRI 80+ .....         | DMP (5%) .....    | L21V           |
| 3000L / CRI 80+ .....         | see SPACING ..... | DMP (5%) ..... |
| 4000L / CRI 80+ .....         | see SPACING ..... | DMP (5%) ..... |
| 1300L / CRI 80+ standard..... | DMP (10%) .....   | L13S           |
| 1600L / CRI 80+ .....         | DMP (5%) .....    | L16S           |
| 2100L / CRI 80+ .....         | DMP (5%) .....    | L21S           |
| 3000L / CRI 80+ .....         | see SPACING ..... | DMP (5%) ..... |
| 4000L / CRI 80+ .....         | see SPACING ..... | DMP (5%) ..... |

**Vibrant available in 3000K only Designer available in 2700K or 3000K**

### Light Engine Color

|             |     |
|-------------|-----|
| 2700K ..... | 27K |
| 3000K ..... | 30K |
| 3500K ..... | 35K |
| 4000K ..... | 40K |

### Voltage

|                       |     |
|-----------------------|-----|
| 120 volt service..... | 120 |
| 277 volt service..... | 277 |

### Reflector Color and Detail

|                              |     |
|------------------------------|-----|
| Slightly diffuse Clear ..... | VOL |
| Champagne Gold.....          | GOL |
| Specular White .....         | WOL |
| Black.....                   | BOL |

Other reflector finishes available on special order.

Standard reflector flange continues reflector finish. White painted flanges and custom painted flanges are available on special order. Add WF (white flange) or CCF (custom color flange).

## OPTIONS

Specify by adding to the basic unit.

**Remote emergency battery pack** including two components – battery and plate with test switch and light – to be mounted adjacent to luminaire; for use only in accessible ceilings .....



## PHOTOMETRIC REPORT (tested per IESNA LM-79-2008)

Prorated from (LTL) Report No. 29798. Original Luminaire Testing Laboratories, Inc. (LTL) test reports furnished upon request.

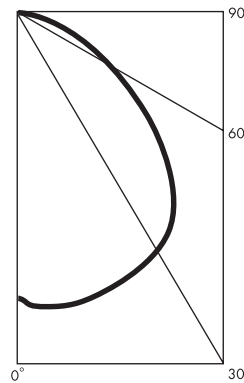
Luminaire ..... recessed LED square lensed wallwasher with aluminum reflector  
 Lamp ..... Xicato 19mm XTM LED module, 1600 lumens, 3000K CCT, 80CRI  
 Lamp Life ..... rated 50,000 hours based on L70/B50 criteria. LM80 report LED manufacturer furnished upon request

### WALLWASH INFORMATION 1600 LUMENS LED MODULE

| Distance From Ceiling (Feet) | 2' 6" From Wall; 2' 6" O.C. |                  | 3' From Wall; 2' 6" O.C. |                  | 3' From Wall; 3' O.C. |                  |
|------------------------------|-----------------------------|------------------|--------------------------|------------------|-----------------------|------------------|
|                              | Below Fixture               | Between Fixtures | Below Fixture            | Between Fixtures | Below Fixture         | Between Fixtures |
| 1                            | 19                          | 14               | 12                       | 11               | 11                    | 9                |
| 2                            | 34                          | 33               | 25                       | 26               | 22                    | 20               |
| 3                            | 33                          | 32               | 29                       | 29               | 25                    | 25               |
| 4                            | 25                          | 25               | 26                       | 25               | 21                    | 21               |
| 5                            | 18                          | 18               | 19                       | 20               | 16                    | 16               |
| 6                            | 13                          | 13               | 15                       | 15               | 12                    | 13               |
| 7                            | 11                          | 11               | 12                       | 12               | 11                    | 11               |
| 8                            | 9                           | 9                | 11                       | 11               | 8                     | 8                |
| 9                            | 7                           | 7                | 8                        | 8                | 7                     | 7                |
| 10                           |                             |                  | 7                        | 7                | 6                     | 6                |

All vertical footcandles are initial values with no contribution from ceiling or floor reflectances. Computation performed with a total of ten wallwashers.

### CANDLEPOWER DISTRIBUTION (Candela)



### WALLWASH INFORMATION 2100 LUMENS LED MODULE

| Distance From Ceiling (Feet) | 3' From Wall; 3' O.C. |                  | 3' 6" From Wall; 3' O.C. |                  | 3' 6" From Wall; 3' 6" O.C. |                  |
|------------------------------|-----------------------|------------------|--------------------------|------------------|-----------------------------|------------------|
|                              | Below Fixture         | Between Fixtures | Below Fixture            | Between Fixtures | Below Fixture               | Between Fixtures |
| 1                            | 15                    | 11               | 11                       | 9                | 9                           | 7                |
| 2                            | 28                    | 26               | 19                       | 20               | 18                          | 15               |
| 3                            | 32                    | 32               | 26                       | 28               | 23                          | 23               |
| 4                            | 28                    | 26               | 26                       | 25               | 22                          | 22               |
| 5                            | 21                    | 21               | 22                       | 22               | 19                          | 19               |
| 6                            | 17                    | 17               | 18                       | 18               | 15                          | 15               |
| 7                            | 13                    | 13               | 14                       | 14               | 12                          | 12               |
| 8                            | 11                    | 11               | 12                       | 12               | 10                          | 10               |
| 9                            | 9                     | 9                | 10                       | 10               | 8                           | 8                |
| 10                           | 8                     | 8                | 8                        | 8                | 7                           | 7                |
| 11                           |                       |                  | 7                        | 7                | 6                           | 6                |
| 12                           |                       |                  | 6                        | 6                | 6                           | 6                |

All vertical footcandles are initial values with no contribution from ceiling or floor reflectances. Computation performed with a total of ten wallwashers.

### STANDARD DMV DRIVER INFORMATION

(UL Class 2, dry and damp location)

| Voltage                         | 120        | 277        |
|---------------------------------|------------|------------|
| Input Watts Range (W)           | 13 to 40   | 13 to 40   |
| Input Current Range (A)         | .11 to .33 | .04 to .14 |
| Output Current (mA)             | 400-1050   | 400-1050   |
| Min. Power Factor               | .99        | .99        |
| Operating Temperature Range (F) | -13 to 122 | -13 to 122 |

### REFLECTOR COLOR MULTIPLIERS

|                            |     |
|----------------------------|-----|
| Slightly diffuse clear (V) | 1   |
| Champagne gold (G)         | 1   |
| Specular White             | .90 |
| Black (B)                  | .80 |

### LIGHT OUTPUT MULTIPLIER

| LED Light Engine               | Light Output Multiplier | RX Light Output Multiplier (90-minute run) |
|--------------------------------|-------------------------|--|
| 1000 Lumens Artist             | .61*                    | .32*                                       |
| 1400 Lumens Artist             | .88*                    | .35*                                       |
| 2100 Lumens Artist             | 1.3*                    | .35*                                       |
| 2700 Lumens Artist             | 1.65*                   | .35*                                       |
| 3000 Lumens Artist             | 1.82*                   | .35*                                       |
| 1300 Designer                  | .83*                    | .33*                                       |
| 1600 Designer                  | 1*                      | .37*                                       |
| 2100 Designer                  | 1.31*                   | .37*                                       |
| 3000 Designer                  | 1.77*                   | .37*                                       |
| 1300 Lumens standard & Vibrant | .83*                    | .33*                                       |
| 1600 Lumens standard & Vibrant | 1                       | .37*                                       |
| 2100 Lumens standard & Vibrant | 1.31*                   | .37*                                       |
| 3000 Lumens standard & Vibrant | 1.85*                   | .37*                                       |
| 4000 Lumens standard & Vibrant | 2.42*                   | .35*                                       |

\*estimated values

### LUMINAIRE LIGHT OUTPUT AND EFFICACY

| LED Light Engine               | Luminaire Light Output | Luminaire Efficacy (lms/watt) | System Wattage | RX Light Output (90 min. run) |
|--------------------------------|------------------------|-------------------------------|----------------|-------------------------------|
| 1000 Lumens Artist             | 495*                   | 38*                           | 13             | 260*                          |
| 1400 Lumens Artist             | 715*                   | 45*                           | 16             | 284*                          |
| 2100 Lumens Artist             | 1056*                  | 42*                           | 25             | 284*                          |
| 2700 Lumens Artist             | 1340*                  | 38*                           | 35             | 284*                          |
| 3000 Lumens Artist             | 1478*                  | 38*                           | 39             | 284*                          |
| 1300 Designer                  | 674*                   | 42*                           | 16             | 268*                          |
| 1600 Designer                  | 812*                   | 51*                           | 16             | 300*                          |
| 2100 Designer                  | 1064*                  | 51*                           | 21             | 300*                          |
| 3000 Designer                  | 1437*                  | 44*                           | 33             | 300*                          |
| 1300 Lumens standard & Vibrant | 674*                   | 48*                           | 14             | 268*                          |
| 1600 Lumens standard & Vibrant | 812                    | 51                            | 16             | 300*                          |
| 2100 Lumens standard & Vibrant | 1064*                  | 51*                           | 21             | 300*                          |
| 3000 Lumens standard & Vibrant | 1502*                  | 46*                           | 33             | 300*                          |
| 4000 Lumens standard & Vibrant | 1965*                  | 49*                           | 40             | 284*                          |

\*estimated values