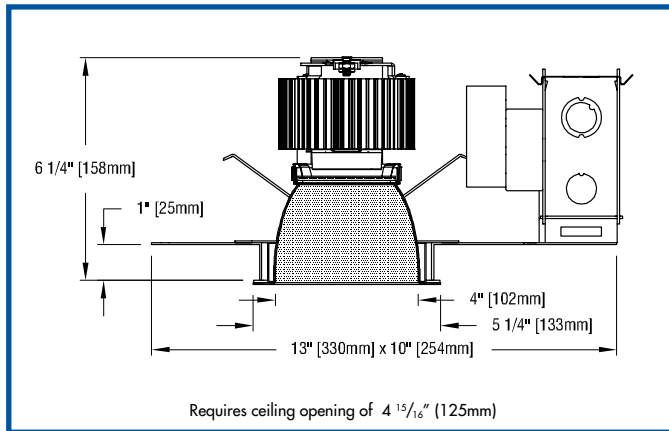


# WET LOCATION CZS/4

recessed LED wet location downlight

WET LOCATION - OUTDOOR APPLICATION - WET LOCATION - OUTDOOR APPLICATION - WET LOCATION - OUTDOOR APPLICATION - WET LOCATION



## FEATURES

- **Wet Location CZS/4 is a wet location downlight** powered by Citizen chip-on-board LED's some of which provide a CRI of 97 within 2-step MacAdam ellipses. See tables below for wattages and efficacies.
- **Luminaire may be ordered with one of a number of drivers.**
- **Precise reflector design minimizes aperture brightness**, with a 40° shielding angle.
- **A 5/32" thick plastic prismatic lens** protects the LED from a direct spray of water. Reflector assembly is attached to the fixture housing with positive torsion springs that pull the reflector flange tight to the ceiling.
- **External reflector is available in three clear natural aluminum finishes** — semi-specular (C), slightly diffuse (V) or fully diffuse (EC) — as well as champagne gold, white and black. Other finishes are available on special order.
- **Housing is constructed from 14-gauge and 16-gauge electro-zinc steel** in Edison Price Lighting's American factory. Heavy-gauge metals, an additional protective coating, and American manufacturing guarantee long-lasting durability.
- **Luminaire includes a pair of mounting bars** (3/4" x 27" C channel). Specialty bars for wood joist and T-bar installations are also available.
- **For more information, [click here](#).**

## APPLICATIONS

Fixture is recommended for spaces where the apertures of recessed downlights may be subject to a direct spray of water.

Fixture is  listed for Wet Location with a covered ceiling only. Fixture is prewired with thermal protector, approved for ten #12 wire 90° branch circuit pull-through wiring. All fixtures are RoHS compliant. Removal of the reflector allows access to the junction box.



For lower pricing, see [SteamRoom FTF/4](#).

## PRODUCT CODE

For complete product code, list basic unit and select one item from each following box.

Basic Unit ..... SHW-CZS2-4DL

### Light Output (Lumens)

1500L / CRI 97.....2700K & 3000K only .....	- L15A
2100L .....	- L21A
2800L.....	- L28A
1700L / CRI 90+.....2700K, 3000K and 3500K only .....	- L17H
2300L.....	- L23H
3100L .....	- L31H
1900L / CRI 80+.....	- L19S
2700L .....	- L27S
3600L .....	- L36S

### Driver

dimmable to 1% with a 0-10V dimmer; suitable for either 120 or 277-volt service .....	- DMV
dimmable to 5% with either electronic low voltage (ELV) or incandescent dimmer on 120-volt only .....	- DMP
dimmable to 1% by a 2-wire Lutron compatible dimmer for 120-volt only .....	- DM1LU
dimmable to 1% SoftOn/FadeToBlack by a Lutron EcoSystem control.....	- ECO-LU
eldoLED 0-10V (Logarithmic) driver dimmable to 0.1% with a 0-10V dimmer on 120 or 277-volt service .....	- DVOELG
eldoLED 0-10V (Linear) driver dimmable to 0.1% with a 0-10V dimmer on 120 or 277-volt service .....	- DVOELN
eldoLED driver dimmable to 0.1% compatible with Dali control system .....	- DA0EL
Magnitude (Logarithmic) driver dimmable to 0.1% by a Zigbee Wireless Network; wireless range 50' through standard walls.....	- ZGOMAG

### Voltage

120 volt service .....	- 120
277 volt service .....	- 277

### Light Engine Color

2700K.....	- 27K
3000K.....	- 30K
3500K.....	- 35K
4000K.....	- 40K
5000K.....	- 50K

### Reflector Color and Detail

Semi specular Clear .....	- COL
Slightly diffuse Clear.....	- VOL
Fully diffuse Clear.....	- ECOL
Champagne Gold .....	- GOL
White .....	- WOL
Black .....	- BOL
Other reflector finishes available on special order.	
Overlap Flange continues reflector finish. White painted flanges and custom painted flanges are available on special order. Add WF (white flange) or CCF (custom color flange).	

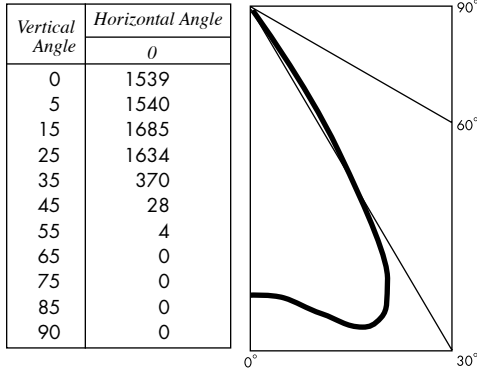


## PHOTOMETRIC REPORT (tested per IESNA LM-79-2008)

Leading Testing Laboratories Report No. UT18070002-01a. Original test report furnished upon request.

Luminaire ..... recessed LED round shower light with aluminum reflector  
 Lamp ..... CITED LED, 3600 lumens, 3000K, 80 CRI  
 Lamp Life ..... rated 50,000 hours based on L70/B50 criteria. LM80 report by LED manufacturer furnished upon request  
 Spacing Criteria ..... 1.14

### CANDLEPOWER DISTRIBUTION



### LUMINAIRE LIGHT OUTPUT AND EFFICACY

LED Module Type	Luminaire Light Output	Luminaire Efficacy (lms/watt)	System Wattage
1500 Lumens 97 CRI (L15A)	734*	46*	16
2100 Lumens 97 CRI (L21A)	1020*	49*	21
2800 Lumens 97 CRI (L28A)	1378*	48*	29
1700 Lumens 90 CRI (L17H)	823*	51*	16
2300 Lumens 90 CRI (L23H)	1146*	55*	21
3100 Lumens 90 CRI (L31H)	1539*	53*	29
1900 Lumens 80 CRI (L19S)	967*	60*	16
2700 Lumens 80 CRI (L27S)	1343*	64*	21
3600 Lumens 80 CRI (L36S)	1790	62	29

\*estimated values

### ZONAL LUMEN SUMMARY

Zone	Lumens	% Fixture
0 - 40°	1739	97.1
0 - 60°	1778	99.3
0 - 90°	1778	99.3
90 - 180°	12	0.7

### COLOR MULTIPLIERS

Semi-specular Clear (C)	1
Slightly diffuse clear (V)	.95
Fully diffuse clear (EC)	.88
Champagne gold clear(G)	.95
Black (B)	.49

### DRIVER INFORMATION UL Class 2, dry and damp location

Voltage	120	277
Input Watts (L15A/L21A/L28A/L17H/L23H/L31H/L19S/L27S/L36S)	16/21/29	16/21/29
Input Current (A) (L15A/L21A/L28A/L17H/L23H/L31H/L19S/L27S/L36S)	.13/.18/.24	.06/.08/.10
Output Current (mA)	350-700	350-700
Min. Power Factor	.99	.99
Operating Temperature Range (F)	-13 to 122	-13 to 122

### LIGHT OUTPUT MULTIPLIER

(Based on 3600 lumens LED)

LED Module Type	Light Output Multiplier
1500 Lumens 97 CRI (L15A)	0.41*
2100 Lumens 97 CRI (L21A)	0.57*
2800 Lumens 97 CRI (L28A)	0.77*
1700 Lumens 90 CRI (L17H)	0.46*
2300 Lumens 90 CRI (L23H)	0.64*
3100 Lumens 90 CRI (L31H)	0.86*
1900 Lumens 80 CRI (L19S)	0.54*
2700 Lumens 80 CRI (L27S)	0.75*
3600 Lumens 80 CRI (L36S)	1

### LUMINANCE DATA

Vertical Angle	Candelam <sup>2</sup>
45	16367
55	2700
65	0
75	0
85	0