

Project

Type



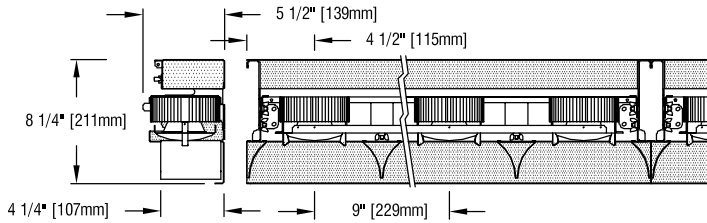
Date

Product Code

Designer

# SPREDLITE® CLP DL/9

cove mounted baffled LED wall grazing luminaire



- **Spredlite CLP DL/9 is a luminaire designed to provide uniform grazing illumination** on vertical surfaces between 10' and 30' high using integral LED modules and spread lenses, as well as interposed baffles, mounted at 9" (229 mm) centers.
- **Luminaire is powered by Cree chip-on-board LED** modules of one of a range of light outputs. See tables below for luminaire wattages and efficacies.
- Luminaire operates on either 120-volt or 277-volt service.
- **Luminaire is designed for surface mounting** in a ventilated architectural light cove (see next page for dimension detail). Modular segments are installed end-to-end as needed to form a continuous run. Each segment provides lockable 0° to 10° angular adjustment allowing precise illumination of the vertical surface below.
- **Parabolic baffles** located between the LED modules provide a 30° shielding angle down the length of the Spredlite and minimize lamp brightness. Baffles are available in clear, champagne gold or black Alzak®.



Standard finishes are a matte black housing and a matte white back panel. Housing available on special order in custom color paint finish. Reflective back panel must remain white.

For more information, [click here](#).

## APPLICATIONS

Fixture provides excellent illumination of specular wall surfaces with no distracting reflections.

Fixture is listed for Cove Mounting and Damp Location. Fixture is approved for 90°C supply wiring. Electrical supply is provided from adjacent accessible outlet boxes (supplied by others).

## INSTALLATION

**Dimensions:** the segment lengths listed under "Product Code" are precise; segments can be bolted end-to-end to ensure uniform lamp spacing.

**Mounting:** secure segments to wood or metal framing members only.

**Ends and Corners:** leave at least 1" between the end of a cove and the nearest segment, and at least 2" between segments at corners.

**Ventilation:** the cove must be vented to ensure proper Spredlite performance and maximize driver life. See details below.

### Warranty Detail

Our 5-year warranty does not include the provision of scaffolding, man-lifts, 'cherry pickers' or other extraordinary means of access to a product requiring maintenance.

In the boxes below, record the number of segments you will need for your Spredlite order. The worksheet on page 3 will help you decide.

## PRODUCT CODE

The product code for a Spredlite segment includes the Basic Unit and a Segment Length. The product code for a Spredlite run includes a list of the segments required; see example below.

Basic Unit ..... SPR\*CLP2-DL9

### Driver

- DMV: drivers dimmable to 1% by a 0-10V dimmer ..... - DMV
- ECO-LU: Lutron H-series drivers dimmable to 1%, compatible with Lutron ECOSystem ..... - ECO-LU
- DVOELG: eldoLED 0-10V (Logarithmic) drivers dimmable to 0.1% with a 0-10V dimmer ..... - DVOELG
- DVOELN: eldoLED 0-10V (Linear) drivers dimmable to 0.1% with a 0-10V dimmer ..... - DVOELN
- DAO-EL: eldoLED drivers dimmable to 0.1%, compatible with DALI control system ..... - DAO-EL

### Light Source Output

- 700 lumens / CRI 92 ..... 2700K & 3000K only ..... - L07H
- 1100 lumens..... 2700K & 3000K only ..... - L11H
- 1500 lumens..... 2700K & 3000K only ..... - L15H
- 1800 lumens..... 2700K & 3000K only ..... - L18H
- 800 lumens / CRI 80+ ..... - L08S
- 1300 lumens ..... - L13S
- 1700 lumens ..... - L17S
- 2100 lumens..... - L21S

### Light Color

- 2700K ..... - 27K
- 3000K ..... - 30K
- 3500K ..... not available with CRI 92 modules ..... - 35K
- 4000K ..... not available with CRI 92 modules ..... - 40K
- 5000K ..... not available with CRI 92 modules ..... - 50K

### Segment Length

two-module segment, 18" long ..... -18



three-module segment, 27" long ..... -27



four-module segment, 36" long ..... -36



five-module segment, 45" long ..... -45



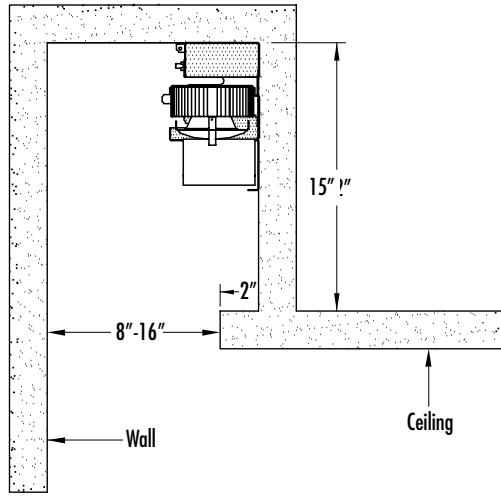
Custom painted segment housings are available on special order. Add -CCH

### Baffle color

- clear (natural aluminum) ..... -C
- gold ..... -G
- black ..... -B



See table below for cove dimension and ventilation requirements.



### COVE DIMENSION AND VENTILATION REQUIREMENTS

Ceiling Height	Cove Opening Height	Cove Height	Recommended Light Source Output
10'	8"	15"	L11H, L13S or lower
12'	9"	15"	L11H, L13S or lower
15'	10"	15"	L15H, L17S or lower
20'	12"	15"	all lumen levels
25'	14"	15"	all lumen levels
30'	16"	15"	all lumen levels

**Ventilation:** Provide 3 square inches of void per linear foot of cove. To avoid overheating the LED modules and/or drivers, air temperature inside cove should not exceed 122F.

Leading Testing Laboratories Report No. UT18070002-03a (prorated). Original test report furnished upon request.

### WALLWASH INFORMATION (Vertical Footcandles)

Distance Below Finished Ceiling (ft)	30' High Ceiling	25' High Ceiling	20' High Ceiling	15' High Ceiling	12' High Ceiling	10' High Ceiling
	2100 lumens per LED	2100 lumens per LED	1700 lumens per LED	1300 lumens per LED	1000 lumens per LED	700 lumens per LED
1	118	125	118	110	102	73
2	111	129	117	92	77	51
3	107	110	91	71	60	39
4	89	90	75	59	50	32
5	77	79	66	50	42	26
6	69	69	57	42	35	21
7	61	61	49	36	29	18
8	54	54	43	31	25	15
9	49	48	37	26	21	13
10	43	42	32	23	19	10
11	38	37	28	20	17	
12	34	33	25	17	12	
13	31	29	22	15		
14	28	26	20	14		
15	25	23	18	11		
16	22	21	16			
17	20	18	14			
18	18	17	13			
19	16	15	13			
20	15	14	9			
21	13	13				
22	12	12				
23	11	11				
24	10	11				
25	9	7				
26	9					
27	8					
28	8					
29	8					
30	5					

All vertical footcandles are initial values at the center of a 15' continuous length of Spredlite CLP DL/9 with specific light output option shown in the table. Architectural light coves were modeled for each ceiling height using dimensions suggested below. Calculations assume 80% reflectance for the architectural light cove surface, 50% and 20% reflectance for lighted wall and floor.

### LUMINAIRE LIGHT OUTPUT AND EFFICACY (one LED module)

LED Module Type	Luminaire Light Output	Luminaire Efficacy (lm/s/watt)	System Wattage
700 Lumens 90+ CRI (L07H)	440*	73*	6
1100 Lumens 90+ CRI (L11H)	698*	70*	10
1500 Lumens 90+ CRI (L15H)	931*	66*	14
1800 Lumens 90+ CRI (L18H)	1125*	59*	19
800 Lumens 80 CRI (L08S)	517*	86*	6
1300 Lumens 80 CRI (L13S)	802*	80*	10
1700 Lumens 80 CRI (L17S)	1060*	76*	14
2100 Lumens 80 CRI (L21S)	1293	69	19

\*estimated values

### COLOR TEMPERATURE

**MULTIPLIER** (use 3000K as the base)

2700K	0.96*
3000K	1
3500K	1.03*
4000K	1.06*
5000K	1.07*

\*estimated values

### DRIVER INFORMATION (one LED module)

UL Class 2, dry and damp location

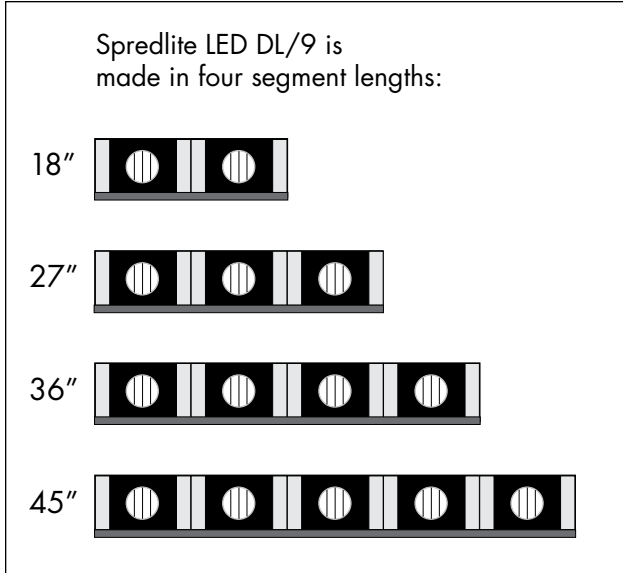
Voltage	120	277
Input Watts (L07H/L11H/L15H/L18H/L08S/L13S/L17S/L21S)	6/10/14/19/6/10/14/19	6/10/14/19/6/10/14/19
Input Current (A) (L07H/L11H/L15H/L18H/L08S/L13S/L17S/L21S)	.05/08/12/16/05/08/12/16	.02/04/05/07/02/04/05/07
Output Current (mA)	150-450	150-450
Min. Power Factor	>0.95	>0.95
Operating Temperature Range (F)	-4 to 113	-4 to 113

### LIGHT OUTPUT MULTIPLIERS (use L21S as base)

LED Module Type	Light Output Multiplier
700 Lumens 90+ CRI (L07H)	0.34*
1100 Lumens 90+ CRI (L11H)	0.54*
1500 Lumens 90+ CRI (L15H)	0.72*
1800 Lumens 90+ CRI (L18H)	0.87*
800 Lumens 80 CRI (L08S)	0.4*
1300 Lumens 80 CRI (L13S)	0.62*
1700 Lumens 80 CRI (L17S)	0.82*
2100 Lumens 80 CRI (L21S)	1

\*estimated values

This sheet will help you pick which segments in which quantities will add up to a Spredlite run for the architectural cove or trough on your project.



## INSTALLATION GUIDELINES

Remember:

- the segment lengths listed are precise "out-to-out" dimensions
- segments can be bolted together to ensure uniform lamp spacing
- leave at least 1" between the end of the cove and the end of the nearest segment
- leave at least 2" between segments at corners

## SUGGESTED RUN LAYOUTS

Length of Run	Spredlite Segments			
	18"	27"	36"	45"
1' 6"	1			
2' 3"		1		
3' 0"			1	
3' 9"				1
4' 6"		2		
5' 3"		1	1	
6' 0"			2	
6' 9"			1	1
7' 6"				2
8' 3"		1	2	
9' 0"			3	
9' 9"			2	1
10' 6"			1	2
11' 3"				3
12' 0"			4	
12' 9"			3	1
13' 6"			2	2
14' 3"			1	3
15' 0"				4
15' 9"			4	1
16' 6"			3	2
17' 3"			2	3
18' 0"			1	4
18' 9"				5
19' 6"			4	2
20' 3"			3	3
21' 0"			2	4
21' 9"			1	5
22' 6"				6
23' 3"			4	3
24' 0"			3	4