

Project

Date Product Code

Type

Designer



MADE IN USA

Click Here

STEAMROOM FTF/4

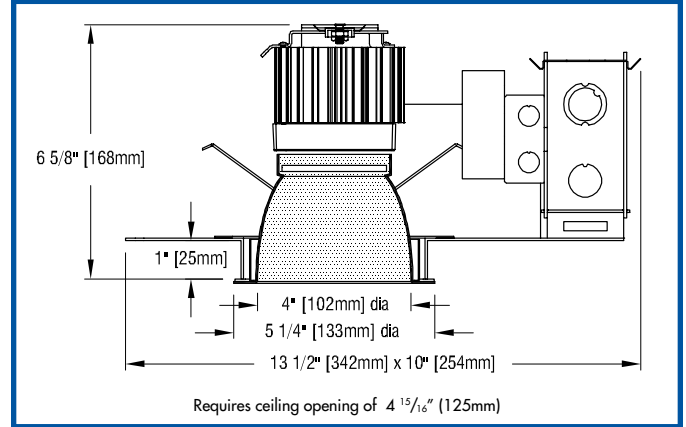
recessed LED steamroom downlight

FEATURES

- **Steamroom FTF/4 is a wet location LED downlight** capable of operation at high ambient temperatures (40°C or 104°F) permitting its use in steam rooms.
- Luminaire is powered by an integral Philips Fortimo DLM Flex LED module. See tables below for system wattages and luminaire efficacies. Luminaire may be ordered with one of a number of drivers.
- **Precise reflector design minimizes aperture brightness** with a 40° shielding angle.
- **A 5/32" thick prismatic glass lens** protects the LED from a direct spray of water. Reflector assembly is attached to the fixture housing with positive torsion springs that pull the reflector flange tight to the ceiling.
- **External reflector is available in three clear natural aluminum finishes** — semi-specular (C), slightly diffuse (V) or fully diffuse (EC) — as well as champagne gold, white and black. Other finishes are available on special order.
- **Housing is constructed from 14-gauge and 16-gauge electro-zinc steel** in Edison Price Lighting's American factory. Heavy-gauge metals and American manufacturing guarantee long-lasting durability.
- **Luminaire includes a pair of mounting bars** (3/4" x 27" C channel). Specialty bars for wood joist and T-bar installations are also available.
- **For more information, [click here](#).**

APPLICATIONS

Fixture is  listed for Wet Location at high ambient temperatures (40°C or 104°F) with a covered ceiling only. Fixture is prewired with thermal protector and approved for ten #12 wire 90° branch circuit pull-through wiring. All fixtures are RoHS compliant. Removal of the reflector allows access to the junction box.



PRODUCT CODE

For complete product code, list basic unit and select one item from each following box.

Basic Unit STM-FTF-4DL

Light Source Output

1100 lumens / CRI 90 not available with 4000K	- L11H
1500 lumens not available with 4000K	- L15H
2000 lumens not available with 4000K	- L20H
1100 lumens / CRI 80 4000K only	- L11S
1500 lumens 4000K only	- L15S
2000 lumens 4000K only	- L20S

Driver

dimable to 1% by a 0-10V dimmer on 120 or 277-volt service	- DMV-AD
dimable to 1% SoftOn/FadeToBlack by a Lutron EcoSystem control, on 120-volt or 277-volt service	- ECO-LU
dimable to 1% by a 2-wire Lutron compatible dimmer, on 120-volt service only	- DMI-LU
eldoLED 0-10V (Logarithmic) driver dimmable to 0.1% with a 0-10V dimmer on 120 or 277-volt service	- DVOELG
eldoLED 0-10V (Linear) driver dimmable to 0.1% with a 0-10V dimmer on 120 or 277-volt service	- DVOELN

► DALI and DMX driver options are available on special order. Contact factory.

Voltage

120 volt service	120
277 volt service	277

Light Engine Color

2700K	- 27K
3000K	- 30K
3500K	- 35K
4000K available for L11S, L15S, L20S only	- 40K

Reflector Color and Detail

Semi specular Clear	- COL
Slightly diffuse Clear	- VOL
Fully diffuse Clear	- ECOL
Champagne Gold	- GOL
White	- WOL
Black	- BOL

Other reflector finishes available on special order.

Overlap Flange continues reflector finish. White painted flanges and custom painted flanges are available on special order. Add WF (white flange) or CCF (custom color flange).

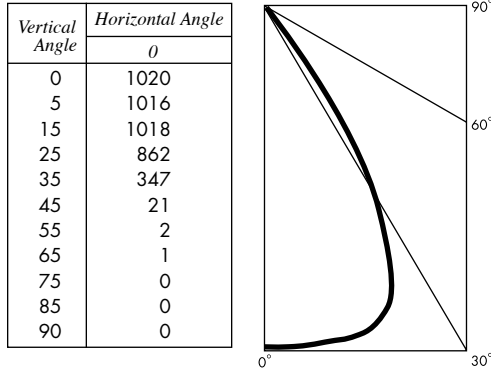


PHOTOMETRIC REPORT (tested per IESNA LM-79-2008)

Ⓢ Verification Services Inc. Test No 1279992.01. Original test report furnished upon request.

Luminaire recessed LED round downlight with aluminum reflector
 Lamp Philips LED Fortimo DLM 2000, 3000K CCT
 Lamp Life rated 50,000 hours based on L70/B50 criteria. LM80 report by LED manufacturer furnished upon request
 Spacing Criteria 1.1

CANDLEPOWER DISTRIBUTION (Candela)



DRIVER INFORMATION (0-10V dimming, UL Class 2, dry and damp location)

Voltage	120	277
Input Watts (L11H/L11S/L15H/L15S/L20H/L20S LED)	15/14/19/17/26/23	15/14/19/17/26/23
Input Current (A) (L11H/L11S/L15H/L15S/L20H/L20S LED)	.13/.12/.16/.14/.22/.19	.05/.05/.07/.06/.09/.08
Min. Power Factor	>0.95	>0.95
Operating Temperature Range (F)	-4 to 122	-4 to 122

COLOR MULTIPLIERS

Semi-specular Clear (C)	1
Slightly diffuse Clear (V)	.95
Champagne Gold (G)	.95
Black (B)	.49

LUMINANCE DATA

Vertical Angle	Candelalm ²
45	3580
55	495
65	292
75	191
85	142

ZONAL LUMEN SUMMARY

Zone	Lumens	% Fixture
0- 30°	771	75.7
0- 40°	989	97.0
0- 60°	1017	99.8
0- 90°	1019	100.0
90-180°	0	0.0
0-180°	1019	100.0

LIGHT OUTPUT MULTIPLIERS

(based on 2000 lumens, 80 CRI, 3000K)

LED Light Engine	Light Output Multiplier
L11H/L11S	0.57*
L15H/L15S	0.75*
L20H/L20S	1

*estimated values

LUMINAIRE LIGHT OUTPUT AND EFFICACY

(based on 2000 lumens, 80 CRI, 3000K)

LED Light Engine	Luminaire Light Output	Luminaire Efficacy (lms/watt)	System Wattage
L11H/L11S	581*	39*/41*	15/14
L15H/L15S	764*	40*/45*	19/17
L20H/L20S	1019	39/44	26/23

*estimated values

COLOR TEMPERATURE (CCT) MULTIPLIER

2700K	0.96
3000K	1
3500K	1.03
4000K	1.05
5000K	1.06