

Project

Type



Date

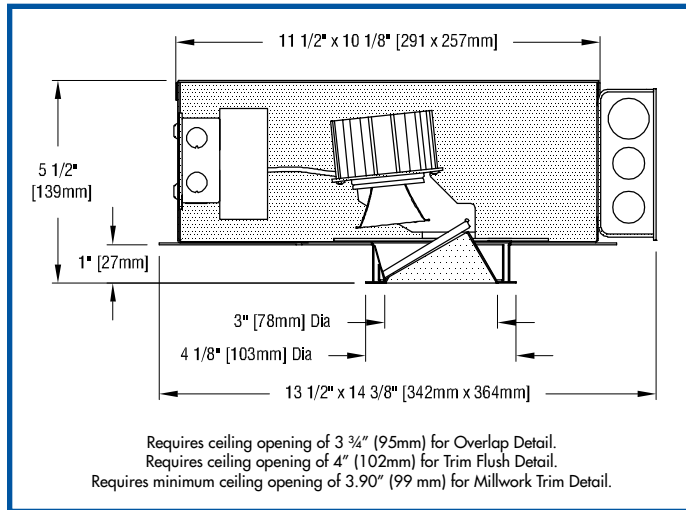
Product Code

Designer

THREE XTM WL

recessed LED wallwasher

FULLY SUSTAINABLE – FULLY SUSTAINABLE – FULLY SUSTAINABLE – FULLY SUSTAINABLE – FULLY SUSTAINABLE – FULLY SUSTAINABLE – FULLY SUSTAINABLE



FEATURES

- **THREE XTM WL is a 3" aperture LED wallwasher.** Luminaire is powered by one of a number of Xicato XTM (19mm) LED modules, all of which are distinguished by extraordinary color consistency (within 1x2-step MacAdam ellipse). See tables below for wattages and efficacies. Luminaire may be ordered with one of a number of drivers.
- **Precise design provides uniform illumination** on vertical surfaces up to the ceiling line and minimizes aperture brightness. The optical assembly consists of two internal reflectors, a 40° x 70° glass spread lens, and an external trim. The optical assembly rotates 362°, if required.
- **Luminaire accepts one of a number of Optical Accessories** including color filters and screens.
- **External reflectors are available in three natural aluminum finishes** – semi-specular (C), slightly diffuse (V) or fully diffuse (EC) – as well as black Alzak® and specular white enamel. Other finishes are available on special order.
- **Housing is constructed from 20-gauge electro-zinc, polyester-coated steel** in Edison Price Lighting's American factory. Heavy-gauge metals and American manufacturing guarantee long-lasting durability.
- **Luminaires includes a pair of mounting bars** (3/4" x 27" C channel). Specialty bars for wood and T-bar installations are also available.
- **For more information, [click here](#).**

APPLICATIONS

Luminaire is listed as an inherently protected luminaire for Damp Location. Luminaire is RoHA compliant, is suitable for use in a fire rated ceiling and is approved for ten #12 wire 90° C branch circuit wiring. Removal of the external reflector allows access to the LED module and junction box.



SPACING

Four models – L13A, L16H, L16S and L16V – must be spaced 30" apart and 15" from walls with 1/2" clearance above housing.

PRODUCT CODE

For complete product code, list basic unit and select one item from each following box.

Basic Unit	THR-XTM-WL
Driver	
dimmable to 1% by a 0-10V dimmer on 120 or 277-volt service	DMV
dimmable to 5% or 10% (see Light Output box below) by either an incandescent or ELV dimmer; 120-volt service only	DMP
dimmable to 1% by a 2-wire Lutron compatible dimmer	DMI-LU
dimmable to 1% SoftOn/FadeToBlack by a Lutron EcoSystem control; not available with L07A, L10H, L10S or L10V models	ECO-LU
eldoLED 0-10V (Logarithmic) driver dimmable to 0.1% with a 0-10V dimmer on 120 or 277-volt service	DV0ELG
eldoLED 0-10V (Linear) driver dimmable to 0.1% with a 0-10V dimmer on 120 or 277-volt service	DV0ELN
eldoLED driver dimmable to 0.1%, compatible with DALI control system	DAO-EL
Moons' driver dimmable to 0.1%, compatible with DMX controllers	DXO

Light Source Output (Lumens)	
700L /98 CRI Artist	DMP (10%) ... L07A
1000L	DMP (5%) ... L10A
1300L	see SPACING
1000L /90 CRI Designer	DMP (5%) ... L10H
1300L	DMP (5%) ... L13H
1600L	see SPACING
1000L /80 CRI standard	DMP (10%) ... L10S
1300L	DMP (10%) ... L13S
1600L	see SPACING
1000L /80 CRI Vibrant	3000K only
1300L	3000K only
1600L	see SPACING

Light Color	
2700 K	- 27K
3000 K	- 30K
3500 K	- 35K
4000 K	- 40K

External Reflector Color and Trim		
	<i>Overlap</i>	<i>Trim Flush*</i>
Semi-specular Clear	COL	CTF
Slightly diffuse Clear	VOL	VTF
Fully diffuse Clear	ECOL	ECTF
Black	BOL	BTF
White	WOL	WTF
Other reflector finishes available on special order.		
Standard reflector flange continues reflector finish. White painted flanges and custom painted flanges are available on special order. Add WF (white flange) or CCF (custom color flange).		
*Trim Flush reflector trim requires the use of a plaster ring Accessory (see below).		

OPTIONS

Specify by adding to the basic unit.

Millwork trim detail consists of an aperture collar (see below) and a Trim Flush (TF) external reflector (see above). <i>Note: a Plaster Ring is not required.</i>	
milled aluminum aperture collar	- M
white aperture collar	- MWH
black aperture collar	- MBL
custom color aperture collar	- MCC
Remote emergency battery pack including two components – battery pack and plate with test switch and light – to be mounted adjacent to luminaire; for use in accessible ceilings	
	- RX

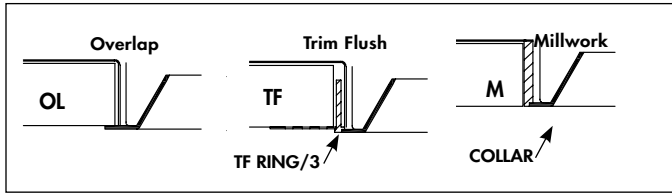
ACCESSORIES

Specify as a separate line item.

Plaster ring allows use of 3 3/4" OD Trim Flush (-TF) reflector in sheetrock ceiling; 4" dia hole required	TF RING/3
---	-----------



EXTERNAL REFLECTOR TRIMS



PHOTOMETRIC REPORT (tested per IESNA LM-79-2008)

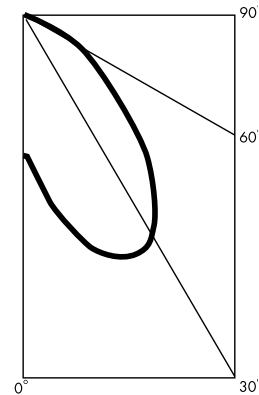
Verification Services Report No. 1188774. Original test report furnished upon request.

Luminaire recessed LED round lensed wallwasher with semi-specular clear aluminum reflector
 Light Source one white Xicato XTM 19mm LES LED with 54° beam spread integral reflector, 3000K CCT, 80 CRI, 1600 lumens
 Lamp Life rated 50,000 hours based on L70/B50 criteria. LM80 report by LED manufacturer furnished upon request

WALLWASH INFORMATION 1600 lumens LED light output

Distance From Ceiling (Feet)	2' 6" From Wall; 2' 6" O.C.		3' From Wall; 3' O.C.		3' 6" From Wall; 3' 6" O.C.	
	Below Fixture	Between Fixtures	Below Fixture	Between Fixtures	Below Fixture	Between Fixtures
1	11	8	6	4	4	3
2	24	19	14	10	8	6
3	25	23	18	16	13	10
4	21	20	17	16	13	12
5	16	15	14	13	12	11
6	12	12	11	11	10	10
7	9	9	8	8	8	8
8	7	7	7	7	6	6
9	5	5	5	5	5	5
10			4	4	4	4

CANDLEPOWER DISTRIBUTION



LUMINAIRE LIGHT OUTPUT AND EFFICACY

LED Light Engine	Luminaire Light Output	Luminaire Efficacy (lms/watt)	System Wattage	RX Light Output (90 min. run)
700 Lumens Artist	228*	33*	7	159*
1000 Lumens Artist	302*	27*	11	159*
1300 Lumens Artist	408*	25*	16	159*
1000 Lumens Designer	305*	31*	10	163*
1300 Lumens Designer	408*	31*	13	163*
1600 Lumens Designer	492*	35*	14	182*
1000 Lumens Standard & Vibrant	305*	38*	8	163*
1300 Lumens Standard & Vibrant	408*	34*	12	163*
1600 Lumens Standard & Vibrant	492	35	14	182

*estimated values

LIGHT OUTPUT MULTIPLIER

LED Light Engine	Light Output Multiplier	RX Light Output Multiplier
700 Lumens Artist	0.46*	0.32*
1000 Lumens Artist	0.61*	0.32*
1300 Lumens Artist	0.83*	0.32*
1000 Lumens Designer	0.62*	0.33*
1300 Lumens Designer	0.83*	0.33*
1600 Lumens Designer	1.00*	0.37*
1000 Lumens Standard & Vibrant	0.62*	0.33*
1300 Lumens Standard & Vibrant	0.83*	0.33*
1600 Lumens Standard & Vibrant	1.00	0.37*

*estimated values

STANDARD DMV DRIVER INFORMATION (UL Class 2, dry and damp location)

Voltage	120	277
Input Watts (L07A/L10A/L13A/L10H/L13H/L16H/L10SV/L13SV/L16SV)	7/11/16/10/13/14/8/12/14	7/11/16/10/13/14/8/12/14
Input Current (A) (L07A/L10A/L13A/L10H/L13H/L16H/L10SV/L13SV/L16SV)	.06/.09/.13/.08/.11/.12/.07/.10/.12	.03/.04/.06/.04/.05/.05/.03/.04/.05
Output Current (mA)	350-700	350-700
Min. Power Factor	.99	.99
Operating Temperature Range (F)	-13 to 122	-13 to 122

REFLECTOR COLOR MULTIPLIERS

Semi-specular clear (C)	1
Slightly diffuse clear (V)	.95
Fully diffuse clear (EC)	.88
Champagne gold clear (G)	.95
Black (B)	.49