

# UNICEP® R 9.75

recessed track unit



## FEATURES

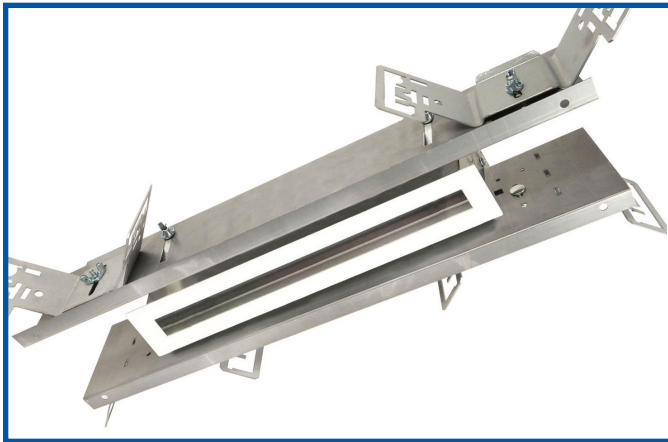
Unicep R 9.75 is a length of recessed SightLine R track designed to accept and electrify a single 120-volt Edison Price Lighting track fixture.

Unicep R 9.75 is intended for locations where the lighting program calls for the *occasional* use of a single track fixture. For sites requiring the *permanent* mounting of a single track fixture, we recommend the use of an outlet box mounted (-OBM) version of the track fixture.

Unicep R 9.75 is mounted to the ceiling structure by means of mounting bars (by others) in the same manner as recessed lighting fixtures. Unit is equipped with two sets of adjustable mounting brackets with each set mounted to a batten that is, itself, capable of 1/2" of vertical adjustment, for increased adaptability to ceiling conditions. Removal of the spring-mounted track component allows access to the splice compartment.

Unicep R 9.75, like other Edison Price Lighting tracks, is designed so that it completely contains the adapter of the track fixture. This feature allows the track fixture to hang free of unsightly screws, levers or knobs.

Standard finish for visible flange surfaces is matte white; also available in black and Industrial Silver matte paint finishes.



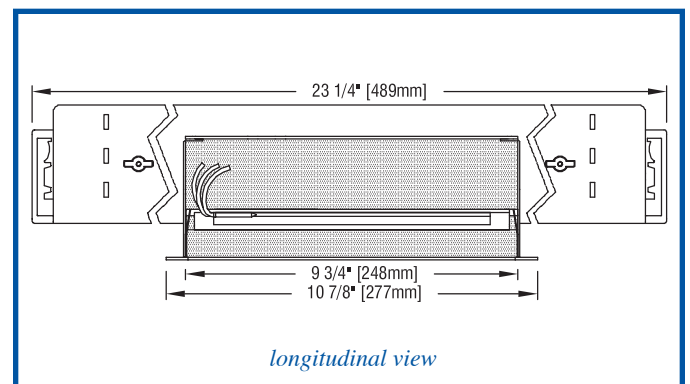
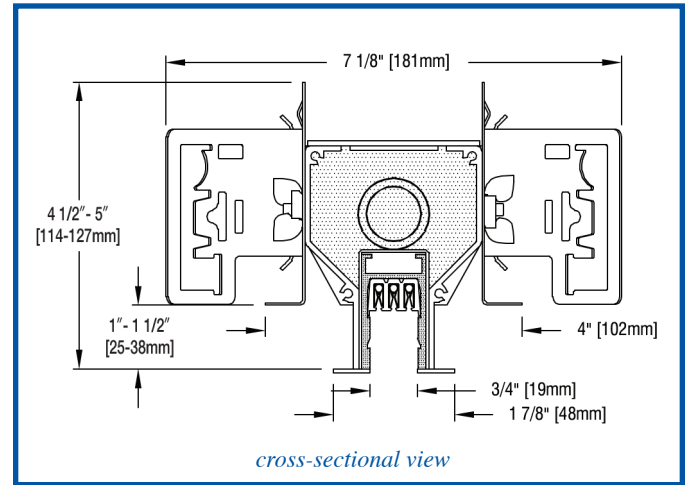
## APPLICATIONS

Unit is recommended for museums, galleries, showrooms, retail stores, offices, schools or residences – wherever adjustable wallwash or accent lighting is occasionally required.

Unit is designed to support and power a single Edison Price Lighting track fixture prepared for 20-amp, 120-volt service.

Unit is 3-conductor and grounded. It is supplied by one 120 volt, 20 amp branch circuit. Total capacity is 20 amps. Service wire must be #12 AWG solid wire. Removal of the spring-mounted track component allows access to the splice compartment.

All components are cULus listed for indoor use only.



## PRODUCT CODE

Complete Product Code..... UCP-R-9.75

## OPTIONS

Specify by adding to the product code.

- matte black finish ..... – BLK
- Industrial Silver finish ..... – SIL

**Unicep R 9.75** accepts all Edison Price Lighting 120-volt track fixtures except SALIOT.



