

Project

Type



Date

Product Code

Designer

# WAFER/4 AA EE

recessed shallow LED accent light

FULLY SUSTAINABLE – FULLY SUSTAINABLE – FULLY SUSTAINABLE – FULLY SUSTAINABLE – FULLY SUSTAINABLE – FULLY SUSTAINABLE – FULLY SUSTAINABLE



## FEATURES

- **WAFER/4 AA EE is a 4" aperture, enhanced efficiency (EE), LED accent light** with a recess depth of only 4 1/2".
- **Luminaire provides 365° rotation and 0°-30° angular adjustment.** Once focused, adjustment may be locked by a lever and a thumb nut.
- **Luminaire employs an internal spring-loaded lens** to produce an initial beam-spread of either 12°, 20° or 36°. To allow beam-spread to be changed in installed luminaires, internal lenses are available as accessories.
- **Luminaire is powered by one of a number of Cree Chip on board LED's.** See below for wattages and efficacies.
- **External reflectors, cut at 15°, are available in three clear natural aluminum colors** – semi-specular (C), slightly diffuse (V) or fully diffuse (EC) – as well as champagne gold, black Alzak® and specular white enamel. Other finishes are available on special order.
- **Optional housing design for residential installation** in wood joist ceilings (-RI).
- **WAFER/4 AA EE includes a pair of mounting bars** (3/4" x 27" C channel). Specialty bars for wood and T-bar installations are also available.
- **For more information, [click here](#).**

## APPLICATIONS

Luminaire is listed as an inherently protected luminaire for Damp Location. Luminaire is RoHS compliant, is suitable for use in a fire rated ceiling. Removal of the external reflector allows access to the LED module and junction box.

For a version of this luminaire designed to provide greater shielding of the light source, see [WAFER/4 AA ES](#).

For Instal-from-below, see [PRESTO WAFER/4 AA](#)

For IC-rated, see [EPIC WAFER/4 AA](#)

For Chicago Plenum, see [CHP WAFER/4 AA](#)

## PRODUCT CODE

For complete product code, list basic unit and select one item from each following box.

**Basic Unit** ..... standard installation design ..... W4-CLT-AA

### Internal Lens *Choose one.*

12° initial beamspread ..... - 12D  
 20° initial beamspread ..... - 20D  
 36° initial beamspread ..... - 36D

### Light Source Output (Lumens)

800 lumens / CRI 90+ ..... 2700K & 3000K only ..... - L08H  
 1000 lumens ..... 2700K & 3000K only ..... - L10H  
 1200 lumens ..... 2700K & 3000K only ..... ZGOMAG ..... - L12H  
 1500 lumens ..... 2700K & 3000K only ..... ZGOMAG ..... - L15H  
 1000 lumens / CRI 80+ ..... 2700K & 3000K only ..... - L10S  
 1200 lumens ..... ZGOMAG ..... - L12S  
 1500 lumens ..... ZGOMAG ..... - L15S  
 1800 lumens ..... ZGOMAG ..... - L18S

### Driver

dimmable to 1% by a 0-10V dimmer on 120 Or 277-volt service ..... - DMV  
 dimmable to 5% by either an incandescent or electronic low voltage dimmer only; 120-volt service only ..... - DMP  
 dimmable to 1% by a 2-wire Lutron compatible dimmer ..... - DM-LU  
 dimmable to 1% SoftOn/FadeToBlack by a Lutron EcoSystem control ..... - ECO-LU  
 eldoLED 0-10V (Logarithmic) driver dimmable to 0.1% with a 0-10V dimmer ..... - DVOELG  
 eldoLED 0-10V (Linear) driver dimmable to 0.1% with a 0-10V dimmer ..... - DVOELN  
 eldoLED driver dimmable to 0.1% with DALI control system ..... - DA0-EL  
 Moons' driver dimmable to 0.1% by DMX controllers ..... - DX0-MN  
 dimmable to 0.1% by a Zigbee wireless network (Daintree, Encelium or Wink); wireless range 50' through standard walls; available with four models only (see box above) ..... - ZGOMAG

### Light Color

2700 K ..... - 27K  
 3000 K ..... - 30K  
 3500 K ..... - 35K  
 4000 K ..... - 40K

### External Reflector Color and Trim

|                        | Overlap | Trim Flush* |
|------------------------|---------|-------------|
| Semi-specular Clear    | EE-COL  | EE-CTF      |
| Slightly diffuse Clear | EE-VOL  | EE-VTF      |
| Fully diffuse Clear    | EE-ECOL | EE-ECTF     |
| Champagne Gold         | EE-GOL  | EE-GTF      |
| Black                  | EE-BOL  | EE-BTF      |
| White                  | EE-WOL  | EE-WTF      |

Standard reflector flange continues reflector finish. White painted flanges and custom painted flanges are available on special order. Add WF (white flange) or CCF (custom color flange).

\*Trim Flush reflector trim requires the use of a **plaster ring** Accessory (see below).

## OPTIONS *Specify by adding to the basic unit.*

0° cut **downlight reflector** ..... - 0

**Housing designed for residential installation** (see next page) including a pair of mounting bars (extendable to 20") for use between wood joists. .... - RI

**Millwork trim detail** consists of an aperture collar (see below) and a Trim Flush (TF) external reflector (see above).

milled aluminum aperture collar ..... - M  
 white aperture collar ..... - MWH  
 black aperture collar ..... - MBL  
 custom color aperture collar ..... - MCC

**Remote emergency battery pack** including two components – battery pack and plate with test switch and light – to be mounted adjacent to luminaire; for use in accessible ceilings; *not available with residential housing (-RI)*. .... - RX

## EXTRA INTERNAL LENSES *Specify as separate line items.*

**12° internal lens** ..... CLT-LENS12-50

**20° internal lens** ..... CLT-LENS20-50

**36° internal lens** ..... CLT-LENS36-50

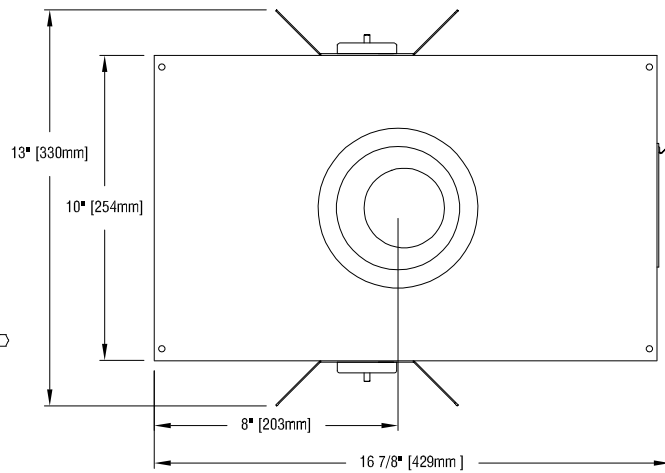
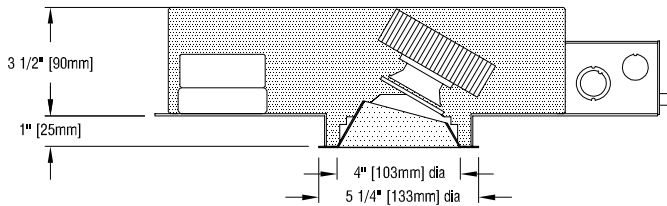
## ACCESSORIES *Specify as a separate line item.*

**Plaster ring** allows use of 4 7/8" OD Trim Flush (-TF) reflector in sheetrock ceiling; 5 3/16" dia hole required ..... TF RING/4

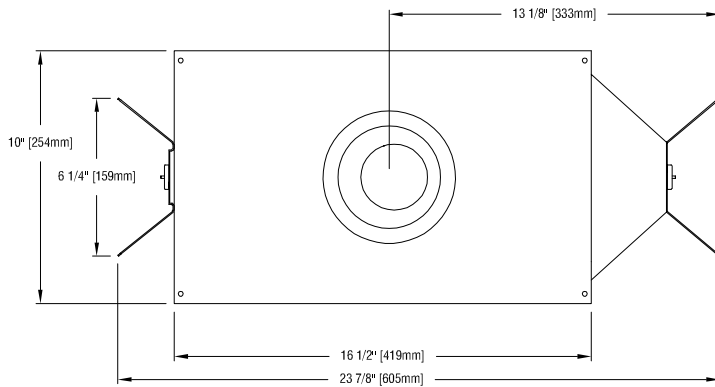
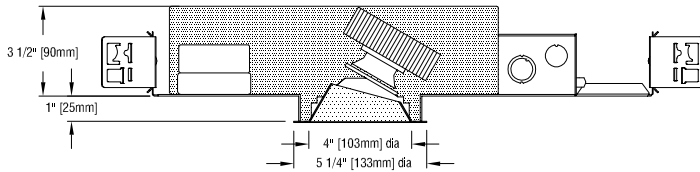


## STANDARD INSTALLATION DESIGN

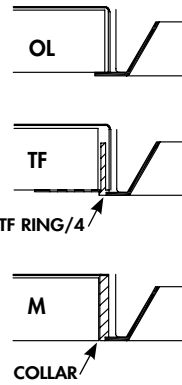
Requires ceiling opening of 4 5/16" (125mm) for Overlap Detail.  
 Requires ceiling opening of 5 3/16" (132mm) for Trim Flush Detail.  
 Requires minimum ceiling opening of 5 1/16" (129mm) for Millwork Trim Detail.



## RESIDENTIAL INSTALLATION DESIGN (-RI)



## EXTERNAL REFLECTOR TRIM DETAILS



## STANDARD DMV DRIVER INFORMATION (UL Class 2, dry and damp location)

| Voltage   | 120                     | 277                     |
|---|-------------------------|-------------------------|
| Input Watts (L08H/L10H/L12H/L15H/L10S/L12S/L15S/L18S)       | 9/10/13/17/9/10/13/17   | 9/10/13/17/9/10/13/17   |
| Input Current (A) (L08H/L10H/L12H/L15H/L10S/L12S/L15S/L18S) | 08/08/11/14/08/08/11/14 | 03/04/05/06/03/04/05/06 |
| Output Current (mA)   | 350-700                 | 350-700                 |
| Min. Power Factor   | .99                     | .99                     |
| Operating Temperature Range (F)                             | -13 to 122              | -13 to 122              |

## LIGHT OUTPUT MULTIPLIER

| LED Light Engine   | Light Output Multiplier |
|--------------------|-------------------------|
| 800 Lumens 90 CRI  | 0.65*                   |
| 1000 Lumens 90 CRI | 0.78*                   |
| 1200 Lumens 90 CRI | 1                       |
| 1500 Lumens 90 CRI | 1.17*                   |
| 1000 Lumens 80 CRI | 0.81*                   |
| 1200 Lumens 80 CRI | 0.96*                   |
| 1500 Lumens 80 CRI | 1.20*                   |
| 1800 Lumens 80 CRI | 1.44*                   |

\*estimated values

## REFLECTOR COLOR MULTIPLIERS

|                            |     |
|----------------------------|-----|
| Slightly diffuse clear (V) | 1   |
| Fully diffuse clear (EC)   | .90 |
| Champagne gold clear (G)   | 1   |
| Specular white (W)         | .70 |
| Black (B)                  | .40 |

– photometrics continued below –

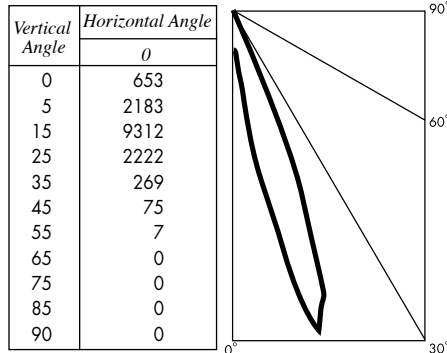


## PHOTOMETRIC REPORT with 12° lens (tested per IESNA LM-79-2008)

Verification Services Report No. 11827425.01. Original test report furnished upon request.

Luminaire ..... recessed LED round accent light with semi-specular clear aluminum external reflector, LED aimed at 15° above vertical.+  
 Light Source ..... Cree CXB1310 LED with 12° beam spread integral lens, 2700K CCT, 90 CRI, 1200 lumens

### CANDLEPOWER DISTRIBUTION (Candela)



### LUMINAIRE LIGHT OUTPUT AND EFFICACY

| LED Light Engine   | Luminaire Light Output | Luminaire CBCP | Luminaire Efficacy (lms/watt) | System Wattage | RX Light Output (90 min. run) |
|--------------------|------------------------|----------------|-------------------------------|----------------|-------------------------------|
| 800 Lumens 90 CRI  | 520                    | 6053*          | 71*                           | 9              | 414*                          |
| 1000 Lumens 90 CRI | 624                    | 7263*          | 77*                           | 10             | 414*                          |
| 1200 Lumens 90 CRI | 800                    | 9312           | 62                            | 13             | 414*                          |
| 1500 Lumens 90 CRI | 936                    | 10895*         | 68*                           | 17             | 414*                          |
| 1000 Lumens 80 CRI | 648                    | 7543*          | 89*                           | 9              | 503*                          |
| 1200 Lumens 80 CRI | 768                    | 8940*          | 95*                           | 10             | 503*                          |
| 1500 Lumens 80 CRI | 960                    | 11174*         | 91*                           | 13             | 503*                          |
| 1800 Lumens 80 CRI | 1152                   | 13409*         | 84*                           | 17             | 503*                          |

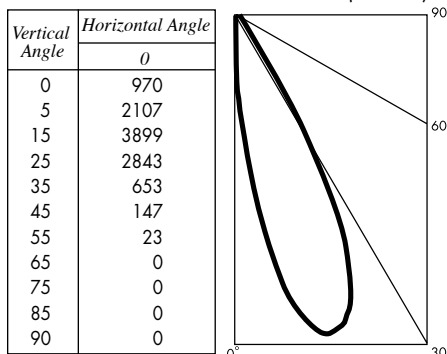
\*estimated values

## PHOTOMETRIC REPORT with 20° lens (tested per IESNA LM-79-2008)

Verification Services Report No. 11827425.03. Original test report furnished upon request.

Luminaire ..... recessed LED round accent light with semi-specular clear aluminum external reflector, LED aimed at 15° above vertical.+  
 Light Source ..... Cree CXB1310 LED with 20° beam spread integral lens, 2700K CCT, 90 CRI, 1200 lumens

### CANDLEPOWER DISTRIBUTION (Candela)



### LUMINAIRE LIGHT OUTPUT AND EFFICACY

| LED Light Engine   | Luminaire Light Output | Luminaire CBCP | Luminaire Efficacy (lms/watt) | System Wattage | RX Light Output (90 min. run) |
|--------------------|------------------------|----------------|-------------------------------|----------------|-------------------------------|
| 800 Lumens 90 CRI  | 537*                   | 2534*          | 60*                           | 9              | 347*                          |
| 1000 Lumens 90 CRI | 645*                   | 3041*          | 64*                           | 10             | 347*                          |
| 1200 Lumens 90 CRI | 827                    | 3899           | 63                            | 13             | 347*                          |
| 1500 Lumens 90 CRI | 967*                   | 4562*          | 57*                           | 17             | 347*                          |
| 1000 Lumens 80 CRI | 670*                   | 3158*          | 74*                           | 9              | 422*                          |
| 1200 Lumens 80 CRI | 794*                   | 3743*          | 79*                           | 10             | 422*                          |
| 1500 Lumens 80 CRI | 992*                   | 4679*          | 76*                           | 13             | 422*                          |
| 1800 Lumens 80 CRI | 1190*                  | 5615*          | 70*                           | 17             | 422*                          |

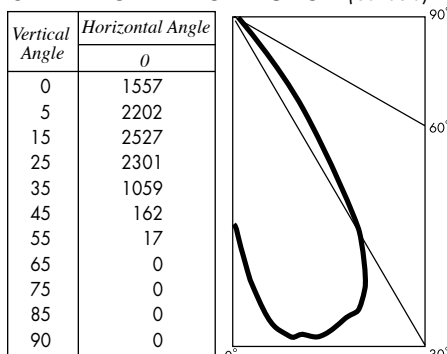
\*estimated values

## PHOTOMETRIC REPORT with 36° lens (tested per IESNA LM-79-2008)

Verification Services Report No. 11827425.05. Original test report furnished upon request.

Luminaire ..... recessed LED round accent light with semi-specular clear aluminum external reflector, LED aimed at 15° above vertical.+  
 Light Source ..... Cree CXB1310 LED with 36° beam spread integral lens, 2700K CCT, 90 CRI, 1200 lumens

### CANDLEPOWER DISTRIBUTION (Candela)



### LUMINAIRE LIGHT OUTPUT AND EFFICACY

| LED Light Engine   | Luminaire Light Output | Luminaire CBCP | Luminaire Efficacy (lms/watt) | System Wattage | RX Light Output (90 min. run) |
|--------------------|------------------------|----------------|-------------------------------|----------------|-------------------------------|
| 800 Lumens 90 CRI  | 589*                   | 1643*          | 65*                           | 9              | 381*                          |
| 1000 Lumens 90 CRI | 707*                   | 1971*          | 71*                           | 10             | 381*                          |
| 1200 Lumens 90 CRI | 906                    | 2527           | 70                            | 13             | 381*                          |
| 1500 Lumens 90 CRI | 1060*                  | 2957*          | 62*                           | 17             | 381*                          |
| 1000 Lumens 80 CRI | 734*                   | 2047*          | 82*                           | 9              | 462*                          |
| 1200 Lumens 80 CRI | 870*                   | 2426*          | 87*                           | 10             | 462*                          |
| 1500 Lumens 80 CRI | 1087*                  | 3032*          | 84*                           | 13             | 462*                          |
| 1800 Lumens 80 CRI | 1305*                  | 3639*          | 77*                           | 17             | 462*                          |

\*estimated values