

Project

Type



Date

Product Code

Designer

# WAFER SQUARE/3 AA

recessed shallow LED accent light

FULLY SUSTAINABLE – FULLY SUSTAINABLE – FULLY SUSTAINABLE – FULLY SUSTAINABLE – FULLY SUSTAINABLE – FULLY SUSTAINABLE – FULLY SUSTAINABLE




## FEATURES

- **WAFER SQUARE/3 AA is a 3" aperture, square LED downlight** with a recess depth of only 3 3/4".
- **Luminaire provides 365° rotation and 0°-30° angular adjustment.** Once focused, adjustment may be locked by a lever and a thumb nut.
- **Luminaire employs an internal 'twist and lock' lens** to produce an initial beam-spread of either 12°, 20° or 36°. To allow beam-spread to be changed in installed luminaires, internal lenses are available as accessories.
- **Luminaire may be ordered with its external reflector capped** with a clear glass (-GLS) for maximum efficacy or a prismatic lens (-PRS) to widen beam distribution.
- **Luminaire is powered by one of a number of Cree Chip on board LED's.** See below for wattages and efficacies.
- **Luminaire accepts one of a number of Optical Accessories** including lenses and color filters.
- **External reflectors are available in four colors:** a slightly diffuse clear natural aluminum (-VOL), champagne gold (-GOL), white (-WOL) or black (-BOL). Other finishes are available on special order.
- **Housing is constructed from 20-gauge electro-zinc, polyester-coated steel** in Edison Price Lighting's American factory. Heavy-gauge metals and American manufacturing guarantee long-lasting durability.
- **Optional housing design for residential installation** in wood joist ceilings (-RI).
- **WAFER SQUARE/3 AA includes a pair of mounting bars** (3/4" x 27" C channel). Specialty bars for wood and T-bar installations are also available.
- **For more information, [click here](#).**

## APPLICATIONS

Luminaire is listed as an inherently protected luminaire for Damp Location. Luminaire is RoHS compliant, is suitable for use in a fire rated ceiling. Removal of the external reflector allows access to the LED module and junction box.



**ENERGY STAR**  
Energy Star qualified under Luminaires Specification V2.0. See Energy Star website for model numbers included in listing. The following options are not qualified: L08H, L15S, L2D, 20D, and ZGOMAG. On orders which require Energy Star labelling, add "-ESL" to the specified Product Code.

For Trimless Square aperture, see [Wafer Prim Square/3 AA](#)  
 For Round aperture, see [Wafer/3 AA](#)  
 For IC-rated model, see [Epic Wafer Square/3AA](#)

## PRODUCT CODE

For complete product code, list basic unit and select one item from each following box.

**Basic Unit** ..... WS3-CIT-AA

**Internal Lens** *Choose one.*

12° initial beamspread ..... - 12D  
 20° initial beamspread ..... - 20D  
 36° initial beamspread ..... - 36D

**Light Source Output** (Lumens)

800 lumens / CRI 90+ ..... 4000K not available ..... - L08H  
 1000 lumens ..... 4000K not available ..... - L10H  
 1200 lumens ..... 4000K not available ..... - L12H  
 1000 lumens / CRI 80+ ..... - L10S  
 1200 lumens ..... - L12S  
 1500 lumens ..... - L15S

**Driver**

dimmable to 1% by a 0-10V dimmer on 120 Or 277-volt service ..... - DMV  
 dimmable to 5% by either an incandescent or electronic low voltage dimmer only; 120-volt service only ..... - DMP  
 dimmable to 1% by a 2-wire Lutron compatible dimmer ..... - DMH-U  
 dimmable to 1% SoftOn/FadeToBlack by a Lutron EcoSystem control ... - ECO-LU  
 eldoLED 0-10V (Logarithmic) driver dimmable to 0.1% with a 0-10V dimmer ..... - DVOELG  
 eldoLED 0-10V (Linear) driver dimmable to 0.1% with a 0-10V dimmer ..... - DVOELN  
 eldoLED driver dimmable to 0.1% with DALI control system ..... - DA0-EL  
 dimmable to 0.1% by a Zigbee wireless network (Daintree, Encelium or Wink); wireless range 50' through standard walls; available with L12H or L15S models only ..... - ZGOMAG

**Light Color**

2700 K ..... - 27K  
 3000 K ..... - 30K  
 3500 K ..... - 35K  
 4000 K ..... - 40K

External Reflector Color & Trim	GLS Clear Glass	PRS Prismatic Lens
Slightly diffuse clear	GLS-VOL	PRS-VOL
Champagne Gold	GLS-GOL	PRS-GOL
White	GLS-WOL	PRS-WOL
Black	GLS-BOL	PRS-BOL

Standard reflector flange continues reflector finish. White painted flanges and custom painted flanges are available on special order. Add WF (white flange) or CCF (custom color flange).

## OPTIONS *Specify by adding to the basic unit.*

**Housing designed for residential installation** (see next page) including a pair of mounting bars (extendable to 20") for use between wood joists. .... - RI  
**Remote emergency battery pack** including two components – battery pack and plate with test switch and light – to be mounted adjacent to luminaire; for use in accessible ceilings; *not available with residential housing (-RI)*. .... - RX  
**Energy Star labelling** available on some models; see the Energy Star info 'box' on this page ..... - ESL

## EXTRA INTERNAL LENSES *Specify as separate line items.*

12° internal lens ..... CIT-LENS12-50  
 20° internal lens ..... CIT-LENS20-50  
 36° internal lens ..... CIT-LENS36-50

## OPTICAL ACCESSORIES ▼ *See next page*



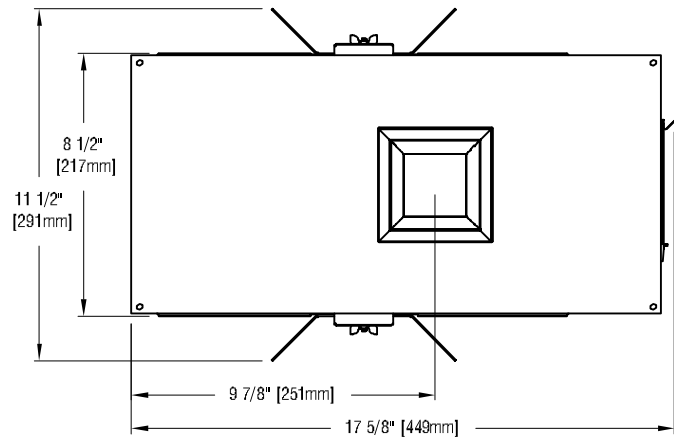
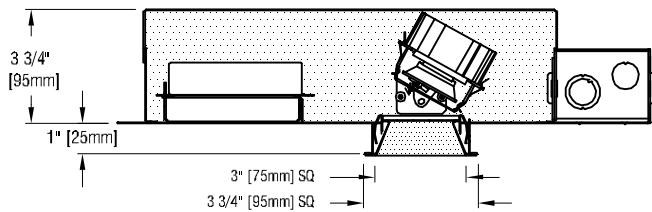
## OPTICAL ACCESSORIES *Specify as separate line*

All are 2 3/4" (70mm) diameter. Lenses and filters are glass; screens are aluminum.

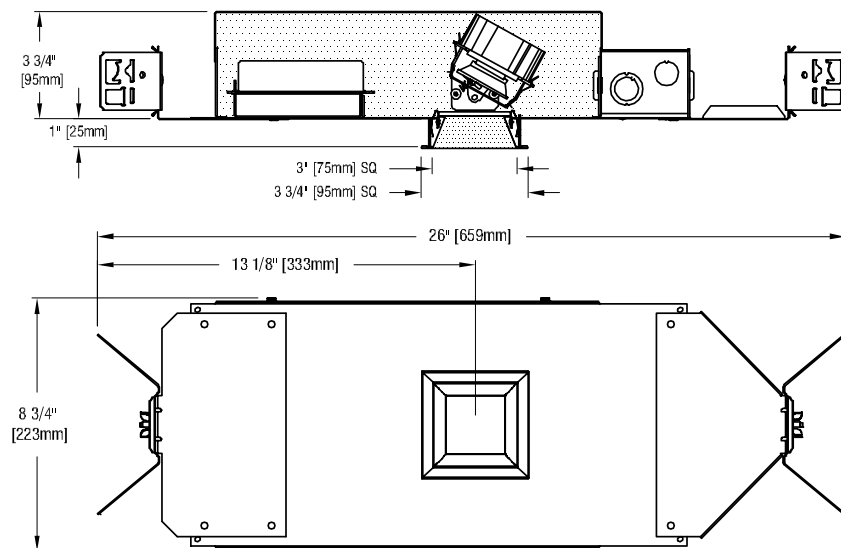
diffuse glass .....	DGS/2.375
prismatic lens (Solite) .....	PLS/2.375
55° spread lens .....	LENS/2.375
40° x 70° spread lens .....	LENS/2.375-4070
bea, smoother .....	DIF05/2.375
beam smoother .....	CLR/2.375
33% light reduction screen .....	SCR33/2.375
50% light reduction screen .....	SCR50/2.375
<b>color filters</b>	
surprise pink .....	PNK/2.375
daylight blue .....	DAY/2.375
amber .....	AMB/2.375
blue .....	BLU/2.375
green .....	GRN/2.375
red .....	RED/2.375

### STANDARD INSTALLATION DESIGN

Requires ceiling opening of 3 5/16" (84mm) square.



### RESIDENTIAL INSTALLATION DESIGN (-RI)



### EXTERNAL REFLECTOR TRIM DETAILS

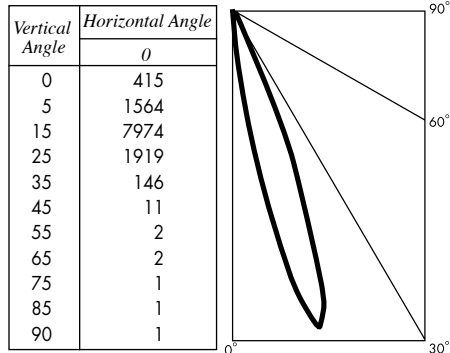


## PHOTOMETRIC REPORT with 12° internal lens and clear glass (GLS) (tested per IESNA LM-79-2008)

Prorated from Verification Services Report No. 12269958.01. Original test report furnished upon request.

Luminaire .....recessed LED square accent light with semi-specular clear aluminum reflector and clear glass, LED aimed at 15° above vertical.+  
Light Source .....Cree CXB1310 LED with 12° beam spread integral lens, 2700K CCT, 90 CRI, 1000 lumens

### CANDLEPOWER DISTRIBUTION (Candela)



### LUMINAIRE LIGHT OUTPUT AND EFFICACY

LED Light Engine	Luminaire Light Output	Luminaire CBCP	Luminaire Efficacy (lms/watt)	System Wattage	RX Light Output (90 min run)
800 Lumens 90 CRI	489*	6698*	55*	9	320*
1000 Lumens 90 CRI	582	7974	55	10	320*
1200 Lumens 90 CRI	716*	9808*	55*	13	320*
1000 Lumens 80 CRI	605*	8293*	67*	9	390*
1200 Lumens 80 CRI	722*	9888*	72*	10	390*
1500 Lumens 80 CRI	890*	12,200*	68*	13	390*

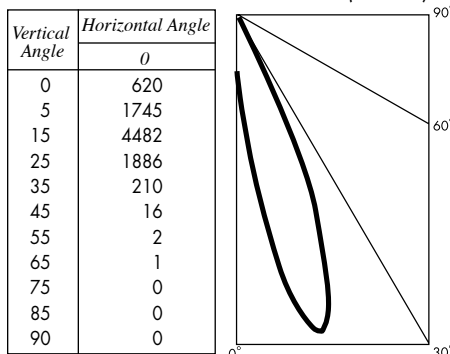
\*estimated values

## PHOTOMETRIC REPORT with 12° internal lens and prismatic lens (PRS) (tested per IESNA LM-79-2008)

Prorated from Verification Services Report No. 12269958.02. Original test report furnished upon request.

Luminaire ..... recessed LED square accent light with semi-specular clear aluminum reflector and prismatic lens, LED aimed at 15° above vertical.+  
Light Source ..... Cree CXB1310 LED with 12° beam spread integral lens, 2700K CCT, 90 CRI, 1000 lumens

### CANDLEPOWER DISTRIBUTION (Candela)



### LUMINAIRE LIGHT OUTPUT AND EFFICACY

LED Light Engine	Luminaire Light Output	Luminaire CBCP	Luminaire Efficacy (lms/watt)	System Wattage	RX Light Output (90 min run)
800 Lumens 90 CRI	474*	3765*	55*	9	310*
1000 Lumens 90 CRI	564	4482	54	10	310*
1200 Lumens 90 CRI	694*	5513*	53*	13	310*
1000 Lumens 80 CRI	587*	4661*	65*	9	378*
1200 Lumens 80 CRI	699*	5558*	70*	10	378*
1500 Lumens 80 CRI	863*	6857*	66*	13	378*

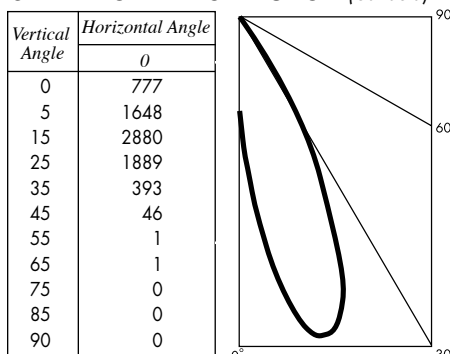
\*estimated values

## PHOTOMETRIC REPORT with 20° internal lens and clear glass (GLS) (tested per IESNA LM-79-2008)

Prorated from Verification Services Report No. 12269958.03. Original test report furnished upon request.

Luminaire ..... recessed LED square accent light with semi-specular clear aluminum reflector and clear glass, LED aimed at 15° above vertical.+  
Light Source ..... Cree CXB1310 LED with 20° beam spread integral lens, 2700K CCT, 90 CRI, 1000 lumens

### CANDLEPOWER DISTRIBUTION (Candela)



### LUMINAIRE LIGHT OUTPUT AND EFFICACY

LED Light Engine	Luminaire Light Output	Luminaire CBCP	Luminaire Efficacy (lms/watt)	System Wattage	RX Light Output (90 min run)
800 Lumens 90 CRI	491*	2419*	55*	9	321*
1000 Lumens 90 CRI	584	2880	56	10	321*
1200 Lumens 90 CRI	718*	3542*	55*	13	321*
1000 Lumens 80 CRI	607*	2995*	67*	9	391*
1200 Lumens 80 CRI	724*	3571*	72*	10	391*
1500 Lumens 80 CRI	894*	4406*	69*	13	391*

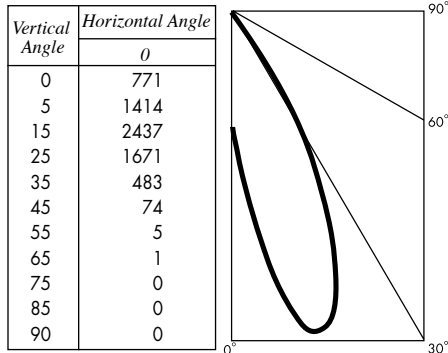
\*estimated values

## PHOTOMETRIC REPORT with 20° internal lens and prismatic lens (PRS) (tested per IESNA LM-79-2008)

Prorated from Verification Services Report No. 12269958.04. Original test report furnished upon request.

Luminaire ..... recessed LED square accent light with semi-specular clear aluminum reflector and prismatic lens, LED aimed at 15° above vertical.+  
Light Source ..... Cree CXB1310 LED with 20° beam spread integral lens, 2700K CCT, 90 CRI, 1000 lumens

### CANDLEPOWER DISTRIBUTION (Candela)



### LUMINAIRE LIGHT OUTPUT AND EFFICACY

LED Light Engine	Luminaire Light Output	Luminaire CBCP	Luminaire Efficacy (lms/watt)	System Wattage	RX Light Output (90 min run)
800 Lumens 90 CRI	486*	2047*	54*	9	318*
1000 Lumens 90 CRI	579	2437	55	10	318*
1200 Lumens 90 CRI	712*	2998*	55*	13	318*
1000 Lumens 80 CRI	602*	2534*	67*	9	388*
1200 Lumens 80 CRI	718*	3022*	72*	10	388*
1500 Lumens 80 CRI	886*	3729*	68*	13	388*

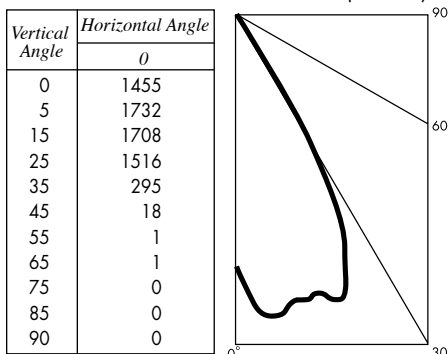
\*estimated values

## PHOTOMETRIC REPORT with 36° internal lens and clear glass (GLS) (tested per IESNA LM-79-2008)

Prorated from Verification Services Report No. 12269958.05. Original test report furnished upon request.

Luminaire ..... recessed LED square accent light with semi-specular clear aluminum reflector and clear glass, LED aimed at 15° above vertical.+  
Light Source ..... Cree CXB1310 LED with 36° beam spread integral lens, 2700K CCT, 90 CRI, 1000 lumens

### CANDLEPOWER DISTRIBUTION (Candela)



### LUMINAIRE LIGHT OUTPUT AND EFFICACY

LED Light Engine	Luminaire Light Output	Luminaire CBCP	Luminaire Efficacy (lms/watt)	System Wattage	RX Light Output (90 min run)
800 Lumens 90 CRI	542*	1511*	60*	9	355*
1000 Lumens 90 CRI	645	1799	62	10	355*
1200 Lumens 90 CRI	793*	2213*	61*	13	355*
1000 Lumens 80 CRI	671*	1871*	75*	9	432*
1200 Lumens 80 CRI	800*	2231*	80*	10	432*
1500 Lumens 80 CRI	987*	2752*	76*	13	432*

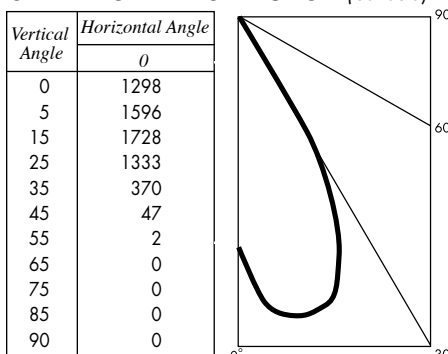
\*estimated values

## PHOTOMETRIC REPORT with 36° internal lens and prismatic lens (PRS) (tested per IESNA LM-79-2008)

Prorated from Verification Services Report No. 12269958.06. Original test report furnished upon request.

Luminaire ..... recessed LED square accent light with semi-specular clear aluminum reflector and prismatic lens, LED aimed at 15° above vertical.+  
Light Source ..... Cree CXB1310 LED with 36° beam spread integral lens, 2700K CCT, 90 CRI, 1000 lumens

### CANDLEPOWER DISTRIBUTION (Candela)



### LUMINAIRE LIGHT OUTPUT AND EFFICACY

LED Light Engine	Luminaire Light Output	Luminaire CBCP	Luminaire Efficacy (lms/watt)	System Wattage	RX Light Output (90 min run)
800 Lumens 90 CRI	538*	1457*	60*	9	352*
1000 Lumens 90 CRI	640	1735	61	10	352*
1200 Lumens 90 CRI	787*	2134*	61*	13	352*
1000 Lumens 80 CRI	666*	1804*	74*	9	429*
1200 Lumens 80 CRI	794*	2151*	79*	10	429*
1500 Lumens 80 CRI	979*	2655*	75*	13	429*

\*estimated values

**STANDARD DMV DRIVER INFORMATION** (UL Class 2, dry and damp location)

Voltage	120	277
Input Watts (L08H/L10H/L12H/L10S/L12S/L15S)	9/10/13/9/10/13	9/10/13/9/10/13
Input Current (A) (L08H/L10H/L12H/L10S/L12S/L15S)	08/08/11/08/08/11	04/04/06/04/04/06
Output Current (mA)	220-350	220-350
Min. Power Factor	.99	.99
Operating Temperature Range (F)	-13 to 122	-13 to 122

**LIGHT OUTPUT MULTIPLIER**

LED Light Engine	Light Output Multiplier	RX Light Output Multiplier
800 Lumens 90 CRI	0.84*	0.55*
1000 Lumens 90 CRI	1	0.55*
1200 Lumens 90 CRI	1.23*	0.55*
1000 Lumens 80 CRI	1.04*	0.67*
1200 Lumens 80 CRI	1.24*	0.67*
1500 Lumens 80 CRI	1.53*	0.67*

\*estimated values

**REFLECTOR COLOR MULTIPLIERS**

Slightly diffuse clear (V)	1
Fully diffuse clear (EC)	.90
Specular white (W)	.70
Black (B)	.40